

Designed for precision and space savings, tubing and wiring can pass through the hollow hole, contributing to simpler and smaller equipment.

Frame Size: 28 mm  
Diameter of hollow section:  $\phi 5.2$  mm  
Mass: 0.17 kg



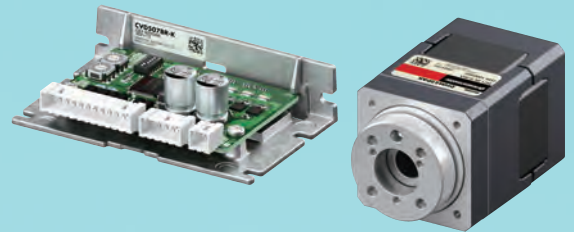
Frame Size: 42 mm  
Diameter of hollow section:  $\phi 10$  mm  
Mass: 0.47 kg



# Actuators with a hollow rotor.

Tubing and wiring can be simplified, and the number of installation mechanism parts can be reduced.

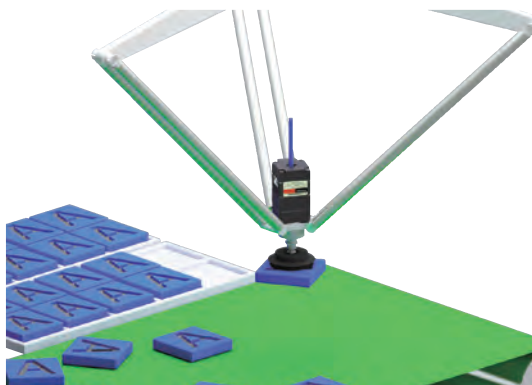
This contributes to smaller and lighter equipment, as well as reduced design time.



## Hollow Rotary Actuators DH Series

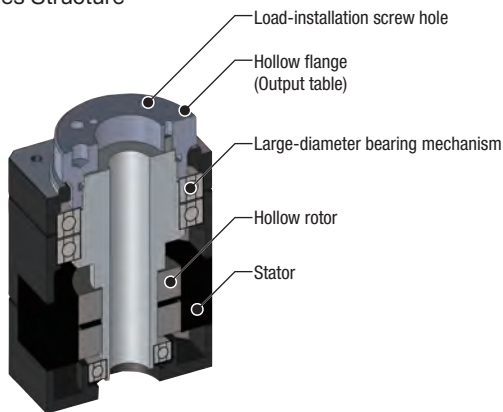
### The hollow portion simplifies the tubing and wiring of cutting-edge equipment

This actuator is a 5-phase stepper motor with a hollow flange. Tubing, wiring and light beams can be passed through the hollow part, contributing to simpler cutting-edge design, as well as smaller and lighter equipment.



Parallel link robot  
θ axis of suction device

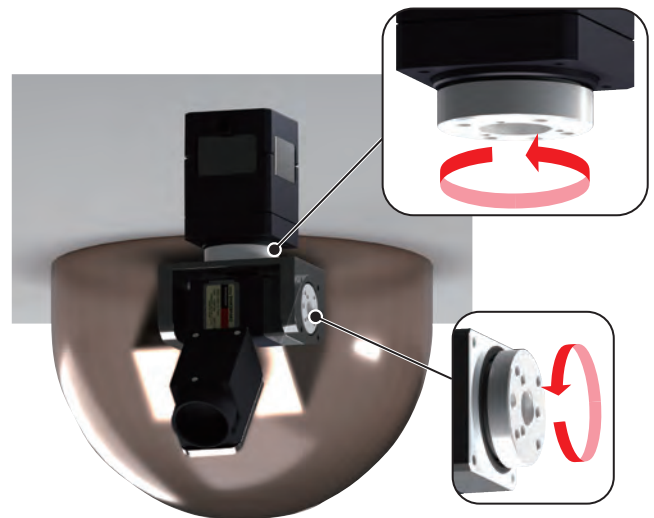
#### ● DH Series Structure



Product Name	Frame Size	Diameter of Hollow Section	Mass
<b>DHM28PAK2</b>	28 mm	φ5.2 mm	0.17 kg
<b>DHM42PAK</b>	42 mm	φ10 mm	0.47 kg

### The flange installation reduces the number of parts around the moving parts

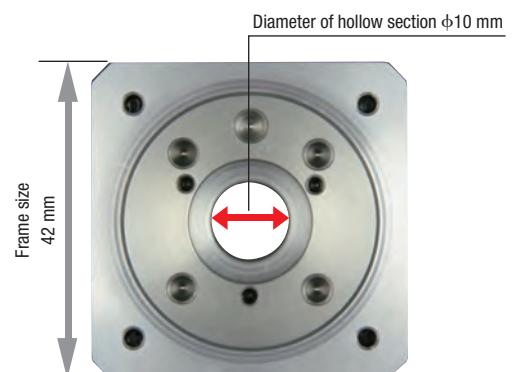
The hollow flange can be attached directly to the load. This reduces the number of parts around the moving parts.



Axes of rotation of security camera

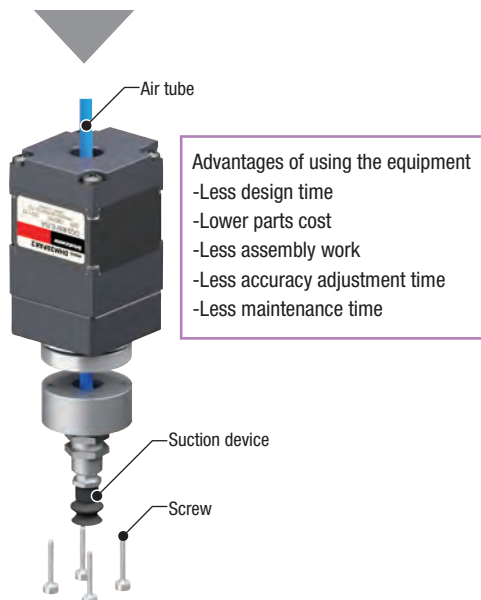
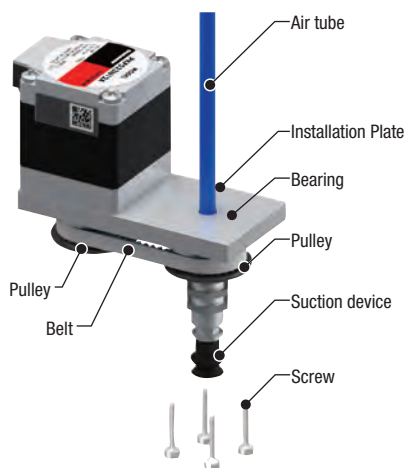
#### ● Diameter of Hollow Section (Actual size)

Example: **DHM42PAK**



Some of the conventional parts have been eliminated, so the time required for equipment design and product selection is shortened.

Furthermore, the number of man-hours required for assembly and the adjustment of installation accuracy can be reduced, contributing to higher productivity.

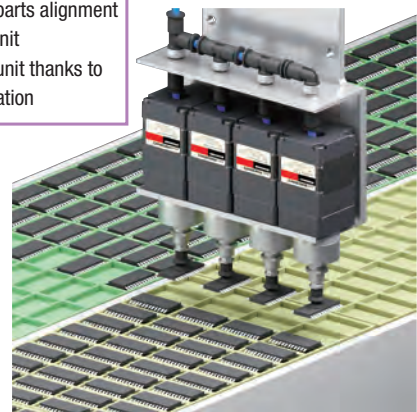


## High Positioning Accuracy

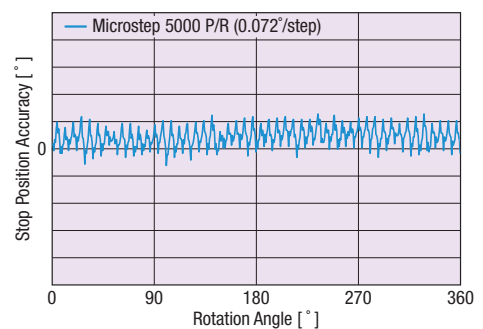
The on-board 5-phase stepper motor allows for high positioning accuracy and fine operations to be stably repeated. Thanks to the microstep drive and smooth drive function in combination with the **CVD** driver, vibration is reduced at low speed and smooth operation is possible. Because the hollow flange does not use any transfer mechanisms like couplings or belts, there is no effect of error on accuracy caused by part rigidity or combination.

- Advantages of using the equipment

  - Highly accurate parts alignment
  - Lighter suction unit
  - Smaller suction unit thanks to parallel configuration



Part mounter  
θ axis of parallel suction device



Product Name	Stop Position Accuracy	Repetitive Positioning Accuracy
<b>DHM28PAK2</b>	±0.33°	±0.15°
<b>DHM42PAK</b>	±0.11°	±0.05°

## Combined Drivers

**CVD** Series drivers are available.

Refer to “**CVD** Series 5-phase Stepper Motor Drivers (Combined Drivers)” on page 12 for details.

### Low Vibration Achieved by Full-Time Microstep Drive

Utilizing a digitally-controlled full-time microstep driver improves the vibration levels and reduces both vibration and noise at all speeds.

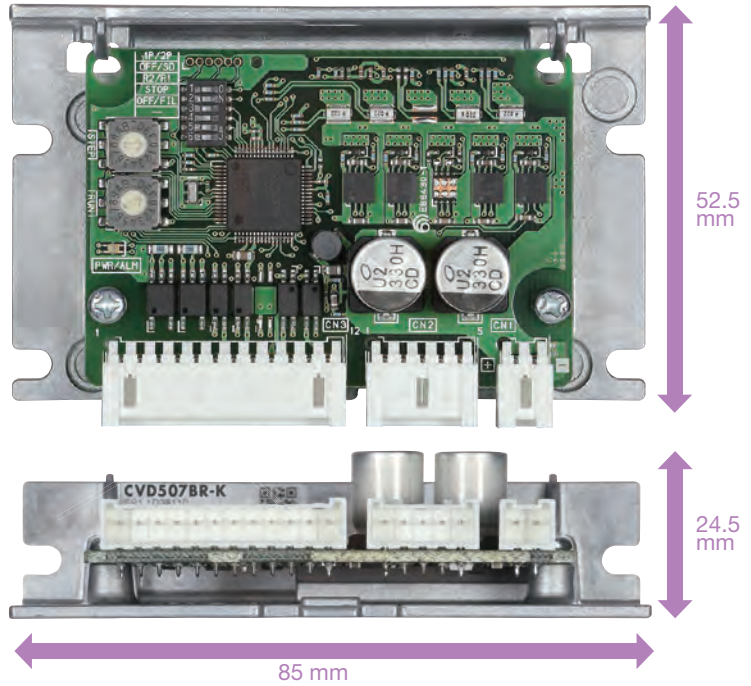
### Industry's-Top-Class Compact High Performance Driver

- Compact and lightweight drivers that contribute to saving space
- Protective function that enables you to find driver errors early
- Smooth drive function that enables smoother operation
- Set the running current using a digital switch

Actual Size

Mass 20 g - 70 g

(The value differs according to the driver type.)



### Wide Variety of Products According to System Configuration and Application

#### ◇Pulse Input Type

Synchronous operation is easy with pulse input.



Right Angle Type with Installation Plate



With Installation Plate  
● Types without an installation plate are available.

#### ◇RS-485 Communication Type

Operation control and parameter settings are possible via RS-485 communication (Modbus RTU).

Since a pulse generator is not required, the operating data set in the driver can be selected and executed from the host control device.



Right Angle Type with Installation Plate



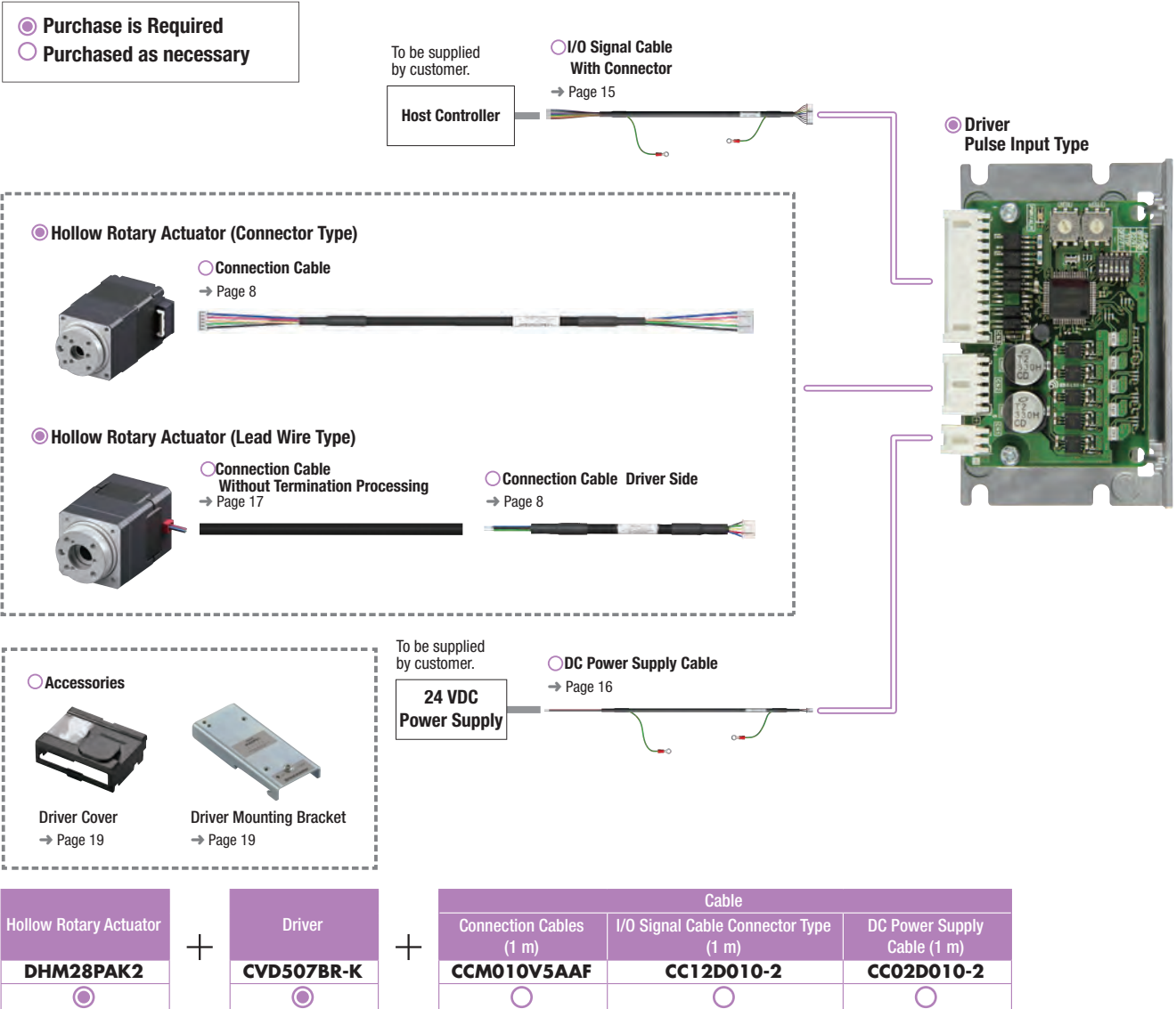
With Installation Plate

## System Configuration

### Combination of Hollow Rotary Actuator and CVD Series Pulse Input Type Driver

This is an example of system configuration using a programmable controller (with pulse oscillation function).

Hollow rotary actuators, drivers, and connection cables need to be ordered separately.



The system configuration shown above is an example. Other combinations are also available.

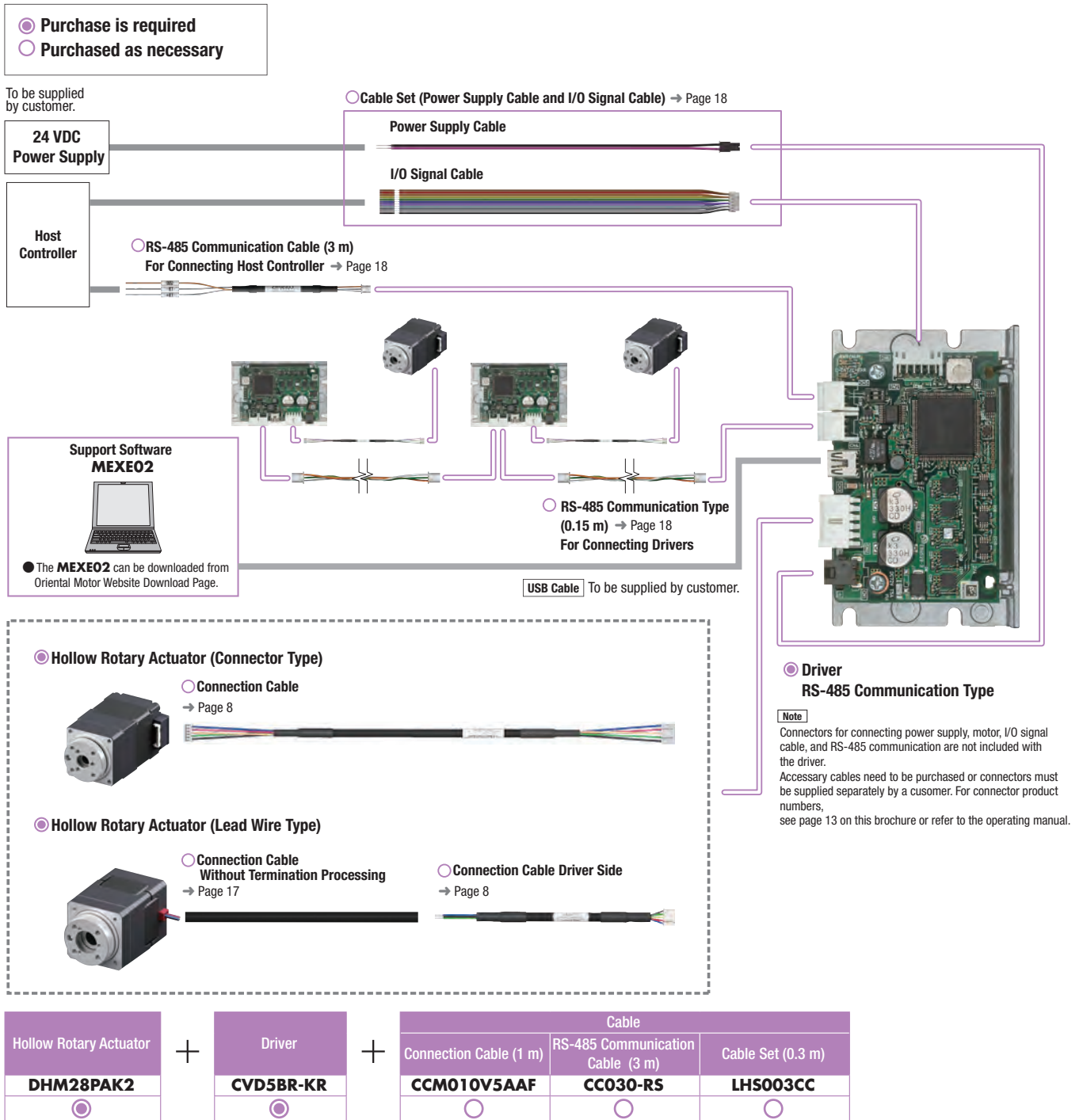
**Note**

The driver cover can be used for a pulse input type driver right-angle type with installation plate.

● **Combination of Hollow Rotary Actuator and CVD Series RS-485 Communication Type Driver**

An example of three-axis system configuration when controlled with RS-485 communication is shown below.

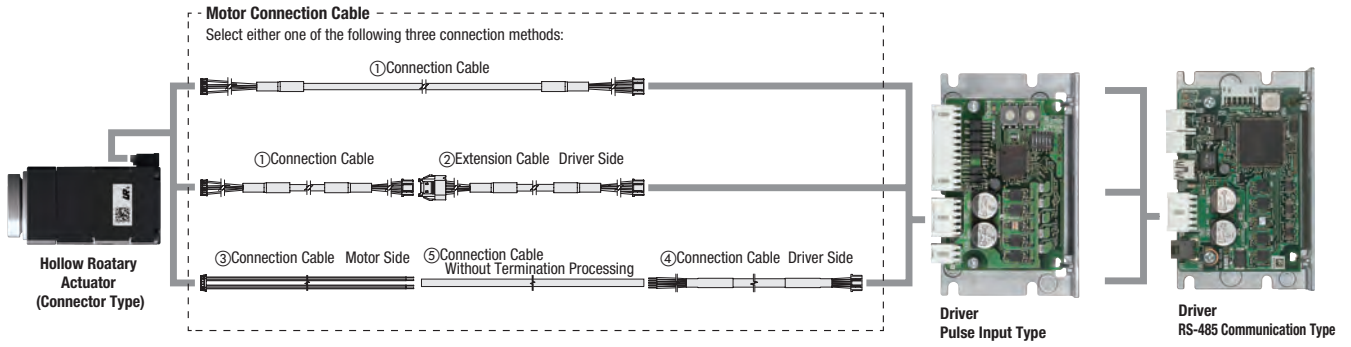
The hollow rotary actuators, drivers, and connection cables must be ordered separately.



● The system configuration shown above is an example. Other combinations are also available.

## Cable System Configuration Example

This is an example of connection between the hollow rotary actuator (connector type) and our driver.



Selectable from the following three connection methods:

Connect using a connection cable

Connect by adding a extension cable to the connection cable

Use the connection cable motor side to connect to the connection cable driver side by a customer.

**Note**

- Up to 3 cables can be used to connect the motor and the driver.
- The distance between the motor and the driver can be extended up to 10 m.

## Product Number

# DHM 28 P A K 2

- ① ② ③ ④ ⑤ ⑥

①	Series Name	<b>DHM: DH Series</b>
②	Frame Size	<b>28:</b> 28 mm <b>42:</b> 42 mm
③	Equipped Motor	<b>P:</b> 5-Phase Stepper Motor
④	Motor Type	<b>A:</b> Standard
⑤	Motor Specifications	<b>K:</b> DC Power Supply Input
⑥	Reference Number	

## Product Line

Actuators, drivers, and cables need to be ordered separately. Please refer to page 12 for details of the drivers.

### Actuators

Product Name
<b>DHM28PAK2</b>
<b>DHM42PAK</b>

### Connection Cables / Flexible Connection Cables

◇ For Frame Size 28 mm

#### • Connection Cables

Product Name	Length L [m]
<b>CCM005V5AAF</b>	0.5
<b>CCM010V5AAF</b>	1
<b>CCM015V5AAF</b>	1.5
<b>CCM020V5AAF</b>	2
<b>CCM025V5AAF</b>	2.5
<b>CCM030V5AAF</b>	3
<b>CCM040V5AAF</b>	4
<b>CCM050V5AAF</b>	5
<b>CCM070V5AAF</b>	7
<b>CCM100V5AAF</b>	10

● Please refer to the **PKP** Series brochure for the "Extension cable driver side (**CCM□□□V5ADFT**)" to be added to the connection cable. The wiring distance between the motor and the driver should be 10 m or less.

◇ For Frame Size 42 mm

#### • Connection Cables Driver Side

Product Name	Length L [m]
<b>CC005N1</b>	0.5
<b>CC010N1</b>	1

● Connection cables without termination processing (**CC□□PK5, CC□□PK5R**) are for extending the connection between the motor and the driver. See page 17 for details. The wiring distance between the motor and the driver should be 10 m or less.

#### • Flexible Connection Cables

Product Name	Length L [m]
<b>CCM005V5AAR</b>	0.5
<b>CCM010V5AAR</b>	1
<b>CCM015V5AAR</b>	1.5
<b>CCM020V5AAR</b>	2
<b>CCM025V5AAR</b>	2.5
<b>CCM030V5AAR</b>	3
<b>CCM040V5AAR</b>	4
<b>CCM050V5AAR</b>	5
<b>CCM070V5AAR</b>	7
<b>CCM100V5AAR</b>	10

#### • Flexible Connection Cables Driver Side

Product Name	Length L [m]
<b>CC005N1R</b>	0.5
<b>CC010N1R</b>	1

## Included

Operating Manual: 1 Copy



# How to Read Specifications

## Specifications

Frame Size	28 mm		42 mm	
Actuator Product Name	<b>DHM28PAK2</b>		<b>DHM42PAK</b>	
Driver Product Name	Pulse Input	<b>CVD507BR-K</b>		
	RS-485 Communication	<b>CVD5BR-KR</b>		
① Maximum Holding Torque	Nm	0.029	0.175	
② Holding Torque at Motor Standstill	Power ON	Nm	0.014	0.087
Rotor Inertia	J: kg·m <sup>2</sup>	3.5×10 <sup>-6</sup>	25.5×10 <sup>-6</sup>	
Rated Current	A/Phase	0.75		
Basic Step Angle		0.72°		
Stop Position Accuracy		±0.33°	±0.11°	
③ Repetitive Positioning Accuracy		±0.15°	±0.05°	
④ Permissible Axial Load	N	40	150	
⑤ Permissible Moment Load	Nm	0.1	0.4	
⑥ Runout of Output Table (Hollow Flange) Surface	mm	0.05		
⑦ Runout of Output Table (Hollow Flange) Inner/Outer Diameter	mm	0.05		

### Note

- The accuracy is measured at a constant temperature (normal temperature) under a constant load.
- Be sure to set the driver setting current to be less than the rated current of the actuator.  
Exceeding the rated current of the actuator may damage the product.

#### ① Maximum Holding Torque

This is the maximum holding torque the actuator has when power is supplied but the output table (hollow flange) is not rotating.

#### ② Holding Torque at Motor Standstill

This is the holding torque when the automatic current cutback function is active.

#### ③ Repetitive Positioning Accuracy

A value indicating the degree of error that generates when positioning is performed repeatedly to the same position in the same direction.

#### ④ Permissible Axial Load

The permissible value of axial load applied to the output table (hollow flange) in the axial direction.

#### ⑤ Permissible Moment Load

When a load is applied to a position away from the center of the output table (hollow flange), the output table (hollow flange) receives a tilting force. The permissible moment load refers to the permissible value of moment load calculated by multiplying the offset distance from the center by the applied load.

#### ⑥ Runout of Output Table (Hollow Flange) Surface

The maximum value of runout of the mounting surface of the output table (hollow flange) when the output table (hollow flange) is rotated under no load.

#### ⑦ Runout of Output Table (Hollow Flange) Inner/Outer Diameter

The maximum value of runout of the inner diameter or outer diameter of the table when the output table (hollow flange) is rotated under no load.

## Specifications

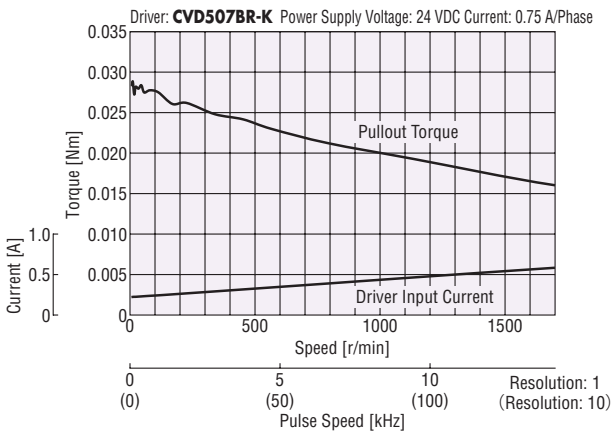
Frame Size		28 mm	42 mm
Actuator Product Name		<b>DHM28PAK2</b>	<b>DHM42PAK</b>
Driver Product Name	Pulse Input RS-485 Communication	<b>CVD507BR-K</b> <b>CVD5BR-KR</b>	
Maximum Holding Torque	Nm	0.029	0.175
Holding Torque at Motor Standstill	Power ON Nm	0.014	0.087
Rotor Inertia	J: kgm <sup>2</sup>	3.5×10 <sup>-6</sup>	25.5×10 <sup>-6</sup>
Rated Current	A/Phase	0.75	
Basic Step Angle		0.72°	
Stop Position Accuracy		±0.33°	±0.11°
Repetitive Positioning Accuracy		±0.15°	±0.05°
Permissible Axial Load	N	40	150
Permissible Moment Load	Nm	0.1	0.4
Runout of Output Table (Hollow Flange) Surface	mm	0.05	
Runout of Output Table (Hollow Flange) Inner/Outer Diameter	mm	0.05	

### Note

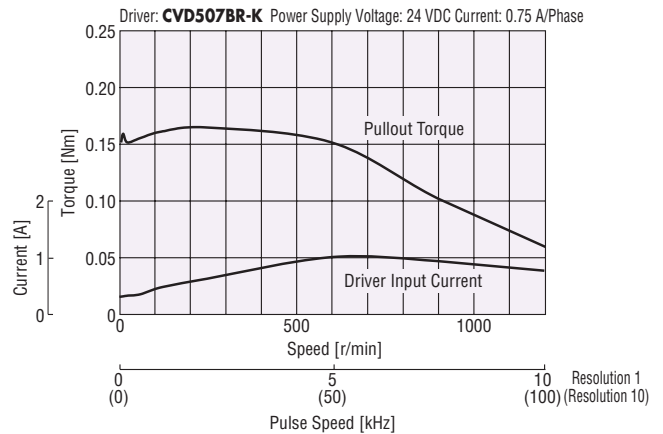
- The accuracy is measured at a constant temperature (normal temperature) under a constant load.
- Be sure to set the driver setting current to be less than the rated current of the actuator. Exceeding the rated current of the actuator may damage the product.

## Speed - Torque Characteristics (Reference Value)

### DHM28PAK2



### DHM42PAK

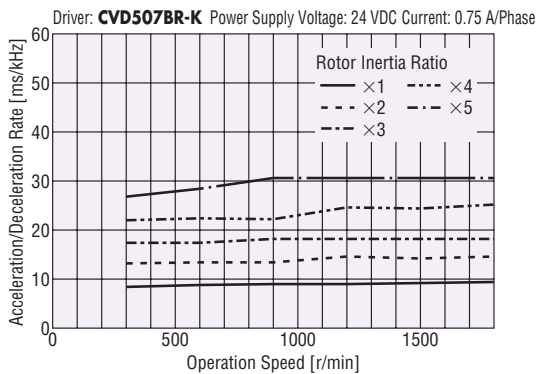


### Note

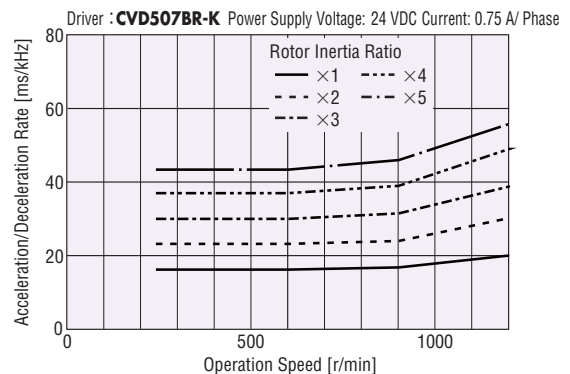
- Data for the speed – torque characteristics is based on Oriental Motor's internal measurement conditions. If the conditions are changed, the characteristics may also change as a result.
- Depending on the driving conditions, a considerable amount of heat may be generated by the actuator. Be sure to keep the motor case temperature at 100°C max.
- The characteristics are the same when RS-485 communication type driver is used in combination.

## Operation Speed - Acceleration/Deceleration Rate (Reference Value)

### DHM28PAK2



### DHM42PAK



- These diagrams show the inertia ratio of the load inertia to the rotor inertia.

## General Specifications

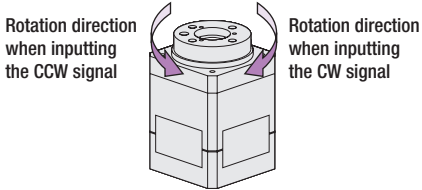
		Actuators
Thermal Class		130(B)
Insulation Resistance		The measured value is 100 MΩ or more when a 500 VDC megger is applied between the following locations: Between case and motor windings
Dielectric Strength		Sufficient to withstand the following for 1 minute: <b>DHM28</b> •Between case and motor windings: 0.5 kVAC, 50 Hz or 60 Hz <b>DHM42</b> •Between case and motor windings: 1.0 kVAC, 50 Hz or 60 Hz
Operating Environment (In operation)	Ambient Temperature	0 to +40°C (Non-freezing)
	Ambient Humidity	85% or less (Non-condensing)
	Atmosphere	No corrosive gas or dust. No water or oil.
Degree of Protection		IP20

### Note

● Disconnect the actuator and driver when taking an insulation resistance measurement or performing a dielectric voltage withstand test.

## Rotating Direction

The rotation directions shown below represent the directions as viewed from the hollow flange (output table) side.

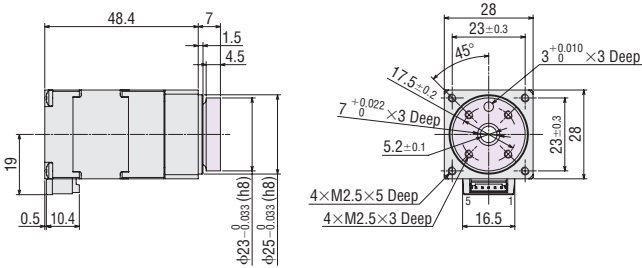


## Dimensions (Unit: mm)

### Flame Size 28 mm

2D & 3D CAD

Product Name	Mass [kg]	2D CAD
<b>DHM28PAK2</b>	0.17	D7909

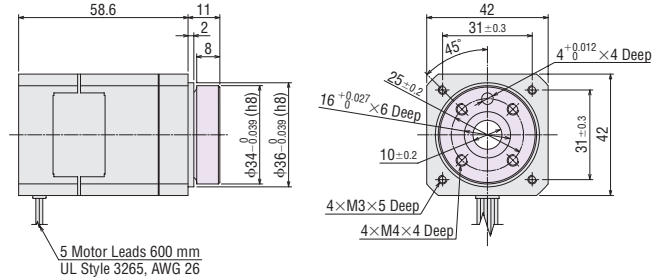


● The shaded areas are rotating parts.

### Flame Size 42 mm

2D & 3D CAD

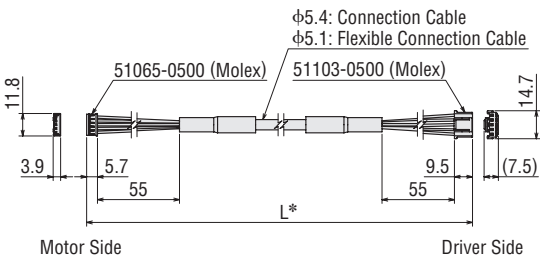
Product Name	Mass [kg]	2D CAD
<b>DHM42PAK</b>	0.47	D2852



● The shaded areas are rotating parts.

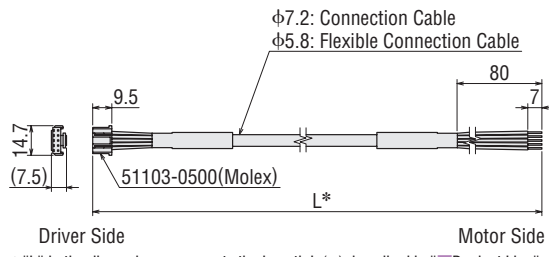
## Connection Cables / Flexible Connection Cables

### For Frame Size 28 mm



\*"L" in the dimensions represents the Length L (m) described in "Product Line" on page 8.

### For Frame Size 42 mm

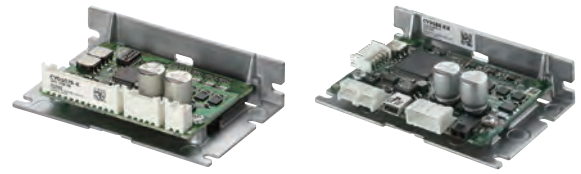


\*"L" in the dimensions represents the Length L (m) described in "Product Line" on page 8.

# Drivers for 5-Phase Stepper Motors

## CVD Series (Combination Driver)

The microstep function is equipped in the low-vibration design driver to enable even low-vibration and low-noise drive.



### Product Number

Pulse Input Type

**CVD 5 07 B R - K**

①    ②    ③    ④    ⑤    ⑥

RS-485 Communication Type

**CVD 5 B R - K R**

①    ②    ③    ④    ⑤    ⑥

①	Series Name	<b>CVD: CVD Series</b>
②	5: 5-Phase	
③	Rated Current	
④	Driver Shape	<b>B:</b> With Installation Plate <b>Blank:</b> Without Installation Plate
⑤	Connector Shape	<b>R:</b> Right-Angle
⑥	Power Supply Input	<b>K:</b> DC Power Supply

①	Series Name	<b>CVD: CVD Series</b>
②	5: 5-Phase	
③	Driver Shape	<b>B:</b> With Installation Plate
④	Connector Shape	<b>R:</b> Right-Angle
⑤	Power Supply Input	<b>K:</b> DC Power Supply
⑥	Type	<b>R:</b> RS-485 Communication Type

### Product Line

Pulse Input Type

◇ Right-Angle Type with Installation Plate

◇ With Installation Plate

◇ Without Installation Plate

Product Name  
**CVD507BR-K**

Product Name  
**CVD507B-K**

Product Name  
**CVD507-K**

RS-485 Communication Type

◇ Right-Angle Type with Installation Plate

◇ With Installation Plate

Product Name  
**CVD5BR-KR**

Product Name  
**CVD5B-KR**

## Included

Type	Connector for Driver Connection
Pulse Input Type	CN1 Connector (1 pc.) CN2 Connector (1 pc.) CN3 Connector (1 pc.)
RS-485 Communication Type	—

## Specifications

### Pulse Input Type

Product Name	CVD507BR-K	CVD507B-K	CVD507-K
Driving Method	Microstep Drive, Bipolar, Constant Current Drive Method		
Power Supply Voltage	24 VDC $\pm$ 10%		
Input Current	A	1.4	
Max. Input Pulse Frequency	Line driver output by programmable controller: 1 MHz (When the pulse duty is 50%) Open-collector output by programmable controller: 250 kHz (When the pulse duty is 50%) Negative Logic Pulse Input		

### RS-485 Communication Type

Product Name	CVD5BR-KR	CVD5B-KR
Driving Method	Microstep Drive, Bipolar, Constant Current Drive Method	
Power Supply Voltage	24 VDC $\pm$ 10%	
Input Current	A	1.4
Interface	Control Input	7 points, Photocoupler
	Control Output	2 points, Photocoupler and Open Collector Output
	Field Network	Modbus RTU (RS-485 Communication)

## RS-485 Communication Specifications

Electrical Characteristics	In compliance with EIA-485 Shielded twisted-pair wire is used up to a total extension length of 10 m.
Communication Mode	Half-duplex communication Synchronous mode (data: 8-bits, stop bit: 1-bit/2-bits, parity: none/odd/even)
Transmission Rate	Selected either from 9600 bps, 19200 bps, 38400 bps, 57600 bps, 115200 bps, or 230400 bps
Protocol	Modbus RTU Mode
Connection Type	Up to 31 units can be connected to one programmable controller (master equipment).

## Dimensions (Unit: mm)

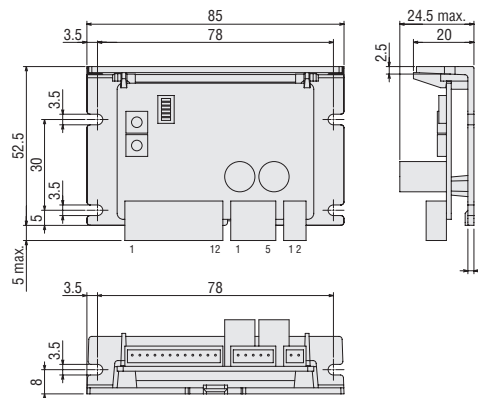
### Pulse Input Type

#### ◇ Right-Angle Type with Installation Plate **2D & 3D CAD**

Product Name	Mass [kg]	2D CAD
<b>CVD507BR-K</b>	0.06	B1210

#### ● Included

Connector Housing:	51103-0200	(Molex)
	51103-0500	(Molex)
	51103-1200	(Molex)
Contact:	50351-8100	(Molex)

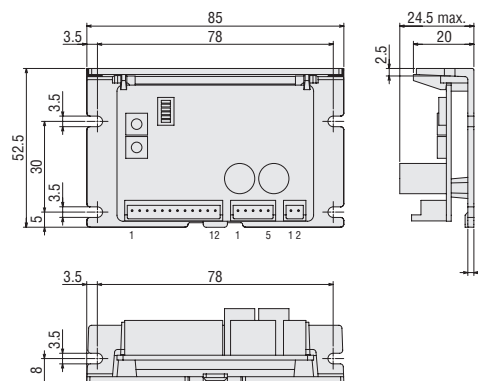


#### ◇ With Installation Plate **2D & 3D CAD**

Product Name	Mass [kg]	2D CAD
<b>CVD507B-K</b>	0.06	B1255

#### ● Included

Connector Housing:	51103-0200	(Molex)
	51103-0500	(Molex)
	51103-1200	(Molex)
Contact:	50351-8100	(Molex)



● Cables for motors (actuators), I/O signals, and DC power supply are available (sold separately).

Since the connector has already been crimped, no crimping tool is required and wiring can be done easily. Please see pages 8 and 15 to 17.

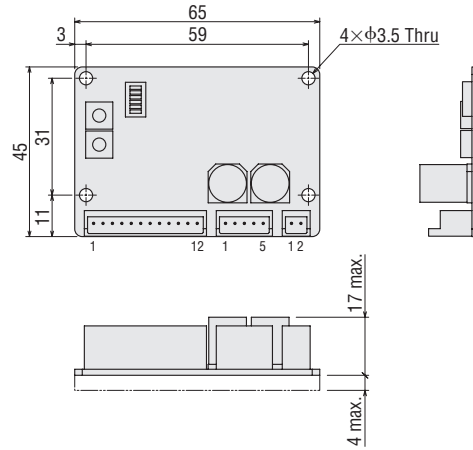
◇ Without Installation Plate

2D & 3D CAD

Product Name	Mass [kg]	2D CAD
<b>CVD507-K</b>	0.02	B1228

● Included

Connector Housing:	51103-0200 (Molex)	
	51103-0500 (Molex)	
	51103-1200 (Molex)	
Contact:	50351-8100 (Molex)	



● Cables for motors (actuators), I/O signals, and DC power supply are available (sold separately).

Since the connector has already been crimped, no crimping tool is required and wiring can be done easily. Please see pages 8 and 15 to 17.

● RS-485 Communication Type

◇ Right-Angle Type with Installation Plate

2D & 3D CAD

Product Name	Mass [kg]	2D CAD
<b>CVD5BR-KR</b>	0.065	B1512

● Applicable Connector

Power Connector (CN1)

Connector Housing:	43645- 0200(Molex)
Contact:	43030- 0001(Molex)

Motor Connector (CN2)

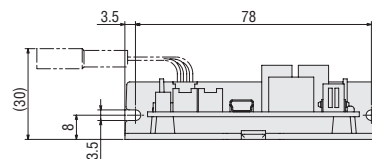
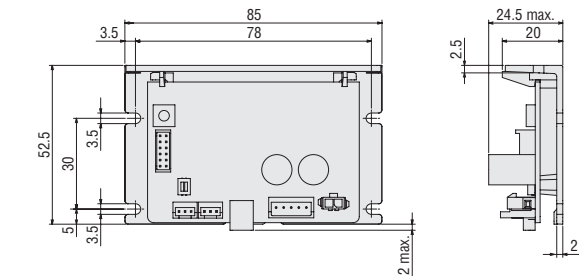
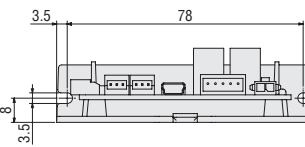
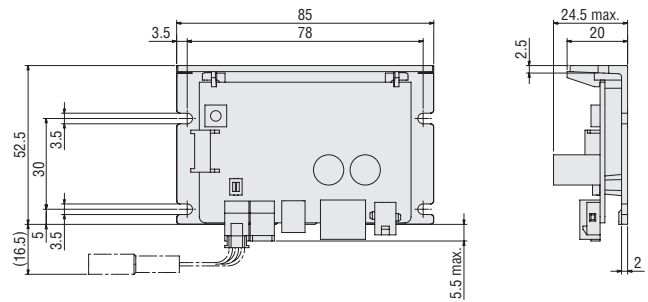
Connector Housing:	51103- 0500(Molex)
Contact:	50351- 8100(Molex)

RS-485 Communication Connector (CN4, CN5)

Connector Housing:	PAP-03V-S (J.S.T. Mfg. Co., Ltd.)
Contact:	SPHD-001T-P0.5 or SPHD-002T-P0.5 (J.S.T. Mfg. Co., Ltd.)

I/O Signals Connector (CN6)

Connector Housing:	PHDR-12VS (J.S.T. Mfg. Co., Ltd.)
Contact:	SPHD-001T-P0. 5(J.S.T. Mfg. Co., Ltd.)



◇ With Installation Plate

2D & 3D CAD

Product Name	Mass [kg]	2D CAD
<b>CVD5B-KR</b>	0.065	B1511

● Applicable Connector

Power Connector (CN1)

Connector Housing:	43645- 0200(Molex)
Contact:	43030- 0001(Molex)

Motor Connector (CN2)

Connector Housing:	51103- 0500(Molex)
Contact:	50351- 8100(Molex)

RS-485 Communication Connector (CN4, CN5)

Connector Housing:	PAP-03V-S (J.S.T. Mfg. Co., Ltd.)
Contact:	SPHD-001T-P0.5 or SPHD-002T-P0.5 (J.S.T. Mfg. Co., Ltd.)

I/O Signals Connector (CN6)

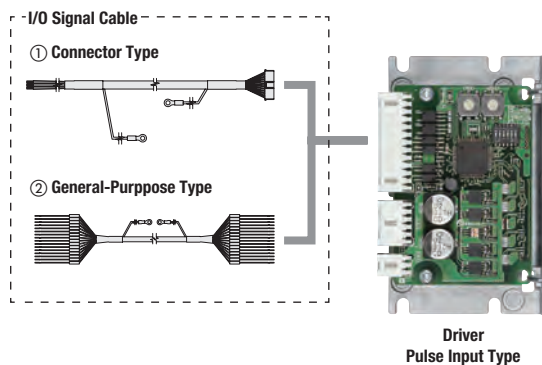
Connector Housing:	PHDR-12VS (J.S.T. Mfg. Co., Ltd.)
Contact:	SPHD-001T-P0. 5(J.S.T. Mfg. Co., Ltd.)

● Cables for motors (actuators), power supply and I/O signals, and RS-485 communication are available (sold separately).

Since the connector has already been crimped, no crimping tool is required and wiring can be done easily. Please see pages 8 and 18.

# Cables and Accessories

## I/O Signal Cables (For Pulse Input Type)



### ① Connector Type



These are connection cables between the host controller and the driver.

A shielded cable with protruding ground wires on both ends for easy grounding.

#### ◇ Product Line

Product Name	Length L [m]	Conductor AWG
<b>CC12D005-2</b>	0.5	24 (0.2mm <sup>2</sup> )
<b>CC12D010-2</b>	1	
<b>CC12D015-2</b>	1.5	
<b>CC12D020-2</b>	2	

● For dimensions please visit our website.

### ② General-Purpose Type



These are connection cables between the host controller and the driver. Both ends are flying lead wires.

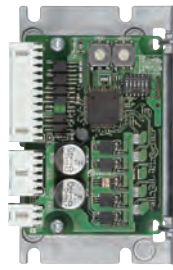
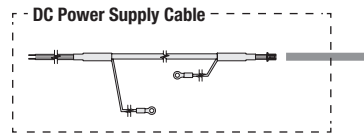
A shielded cable with protruding ground wires on both ends for easy grounding.

#### ◇ Product Line

Product Name	Length L [m]	Number of Lead Wire Cores	Outer Diameter D [mm]	AWG
<b>CC06D005B-1</b>	0.5	6	φ5.4	24 (0.2mm <sup>2</sup> )
<b>CC06D010B-1</b>	1			
<b>CC06D015B-1</b>	1.5			
<b>CC06D020B-1</b>	2	10	φ6.7	
<b>CC10D005B-1</b>	0.5			
<b>CC10D010B-1</b>	1			
<b>CC10D015B-1</b>	1.5			
<b>CC10D020B-1</b>	2	12	φ7.5	
<b>CC12D005B-1</b>	0.5			
<b>CC12D010B-1</b>	1			
<b>CC12D015B-1</b>	1.5			
<b>CC12D020B-1</b>	2			

● For dimensions please visit our website.

## DC Power Supply Cables (For Pulse Input Type)



Driver  
Pulse Input Type



### ◇ Product Line

Product Name	Length L [m]	Conductor AWG
<b>CC02D005-2</b>	0.5	22 (0.3mm <sup>2</sup> )
<b>CC02D010-2</b>	1	
<b>CC02D015-2</b>	1.5	
<b>CC02D020-2</b>	2	

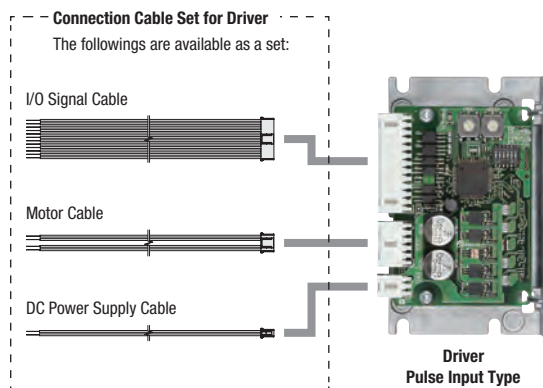
● For dimensions please visit our website.

These cables are used to connect the driver and the DC power supply.

A shielded cable with protruding ground wires on both ends for easy grounding.



## Connection Cable Sets for Driver (For Pulse Input Type)



Connecting Cables for motor (actuator), I/O signals, and DC power supply that can be connected to the driver are available as a set. A connector is coupled on the driver side of each cable.

### Product Line



Product Name	Connector	Connector Name	Length L1	Length L2	Conductor AWG
<b>LCS04SD5</b>	For Motor	51103-0500	0.6 m	10 mm	22 (0.3 mm <sup>2</sup> )
	For Power Supply	51103-0200			
	For I/O Signal	51103-1200			

### Connector Pin Assignments

#### ◇ For Motor

Pin No.	Wire Color
1	Blue
2	Red
3	Orange
4	Green
5	Black

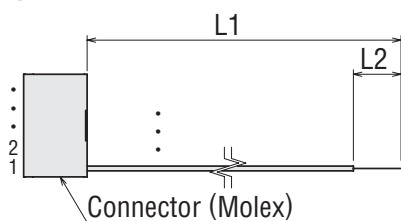
#### ◇ For Power Supply

Pin No.	Wire Color
1	Red
2	Black

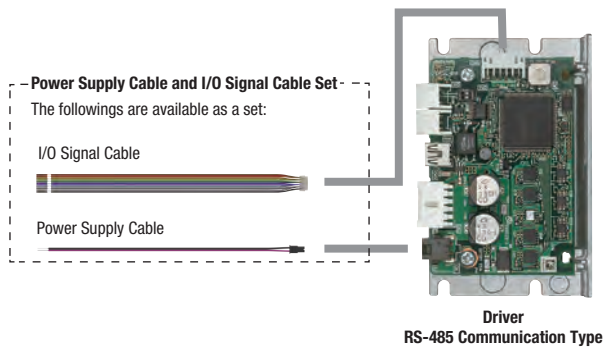
#### ◇ For I/O Signal

Pin No.	Wire Color
1	Brown
2	Red
3	Orange
4	Yellow
5	Green
6	Blue
7	Purple
8	Gray
9	White
10	Black
11	Brown
12	Red

### Dimensions



## Power Supply Cable and I/O Signal Cable Sets (For RS-485 Communication Type)



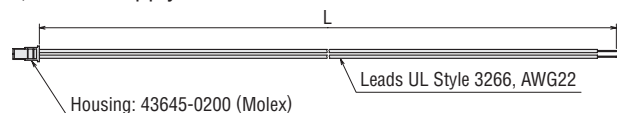
Power supply cable connects the driver and the DC power supply.  
I/O signal cable connects the drivers and the host controller.  
Power supply cable and I/O signal cable are available as a set.

### Product Line

Product Name	Length L [m]
<b>LHS003CC</b>	0.3
<b>LHS010CC</b>	1

### Dimensions (Unit: mm)

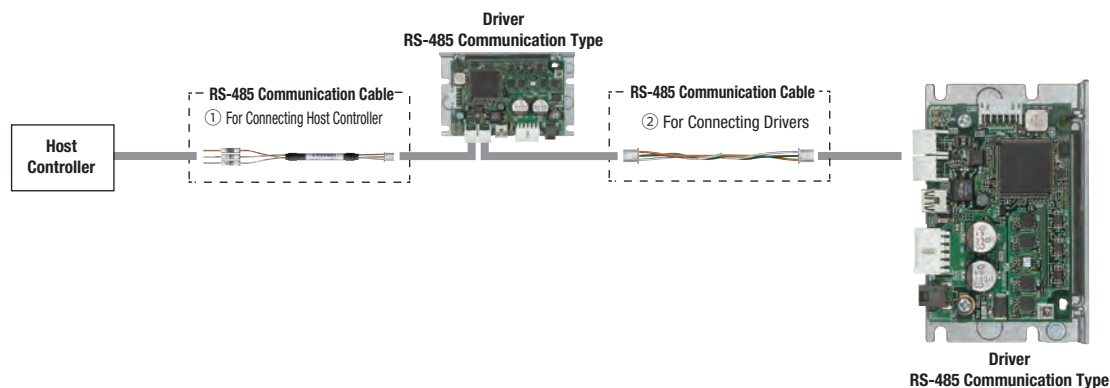
#### ◇ Power Supply Cable



#### ◇ I/O Signal Cable



## RS-485 Communication Cables (For RS-485 Communication Type)



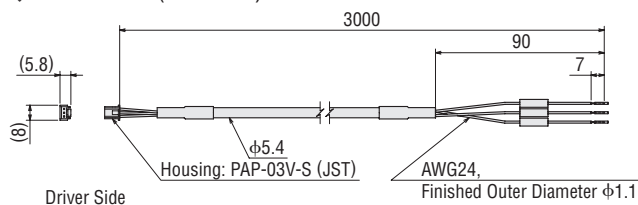
### ① For connecting host controller

This cable is used to connect the driver and the host controller

#### ◇ Product Line

Product Name	Length L [m]
<b>CC030-RS</b>	3

#### ◇ Dimensions (Unit: mm)



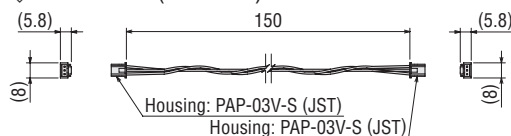
### ② For connecting drivers

This cable is used to connect two drivers together.

#### ◇ Product Line

Product Name	Length L [m]
<b>LH0015-RWN</b>	0.15

#### ◇ Dimensions (Unit: mm)



## Driver Mounting Bracket

This is bracket for installation on a DIN rail.



### Product Line

Product Name	Applicable Drivers	Surface Treatment
<b>MADP07</b>	<b>CVD5□□BR-K</b> <b>CVD5□□B-K</b> <b>CVD5BR-KR</b> <b>CVD5B-KR</b>	Electroless nickel plating

## Driver Cover

This is a protection cover to prevent contact with the circuit board.  
Available for the right angle type driver with an installation plate.

<Application Example>



### Product Line

Material: Resin

Product Name	Applicable Drivers
<b>PADC-CVD2</b>	<b>CVD5□□BR-K</b> <b>CVD5BR-KR</b>

# ***Orientalmotor***

These products are manufactured at plants certified with the international standards **ISO 9001** (for quality assurance) and **ISO 14001** for systems of environmental management).

Specifications are subject to change without notice. This catalogue was published in June 2024.

## **ORIENTAL MOTOR (EUROPA) GmbH**

### **European Headquarters**

Schießstraße 44  
40549 Düsseldorf, Germany  
Tel: 0211 5206700 Fax: 0211 52067099

### **Spanish Office**

Ronda de Poniente 2, Ed. 12, 2ª planta  
28109 Tres Cantos (Madrid), Spain  
Tel: +34 919 61 06 76

## **ORIENTAL MOTOR (UK) LTD.**

### **UK Headquarters**

Unit 5, Faraday Office Park,  
Rankine Road, Basingstoke,  
Hampshire RG24 8AH, U.K.  
Tel: +44 1256 347090 Fax: +44 1256 347099

## **ORIENTAL MOTOR ITALIA s.r.l.**

### **Italy Headquarters**

Via XXV Aprile 5  
20016 Pero (MI), Italy  
Tel: +39 2 93906346 Fax: +39 2 93906348

## **ORIENTAL MOTOR (FRANCE) SARL**

### **France Headquarters**

56, Rue des Hautes Pâtures  
92000 Nanterre, France  
Tel: +33 1 47 86 97 50 Fax: +33 1 47 82 45 16

### **Customer Service Center**

(Support in German & English)

**00800 22 55 66 22\***

Mon - Thu: 08:00 - 16:30 CET

Friday: 08:00 - 15:00 CET

\*Free Call Europe

**info@orientalmotor.de**

**WWW.ORIENTALMOTOR.EU**

EN | DE | UK | IT | FR | ES