



**X2 TECHNOLOGY**

A Phoenix Mecano Brand

# Lifting column

**D-series**

D12

D23



Made in Sweden

## Description

The D-series lifting column with dual hall sensors is the optimal choice for light industrial and furniture applications. Available in two variants: D12, compatible with RK Rose+Krieger's profile system, and the more compact D23 model. With various stroke lengths, the D-series is engineered to meet your specific needs.



 Short lead times

 Very robust

 Long lifetime

### Features

Push  
Cable out large tube  
Dual hall sensors  
Limit switches

### Options

Standard or contour plates  
Cable exit long/short side on large tube  
Cable exit small tube on D12

## Technical data

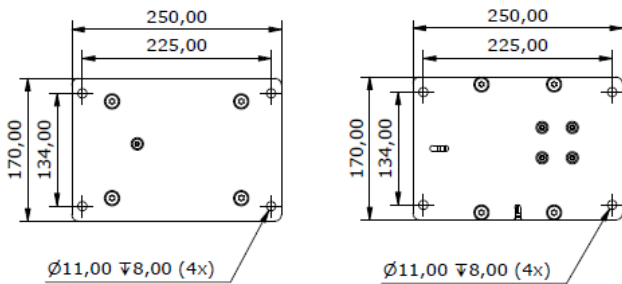
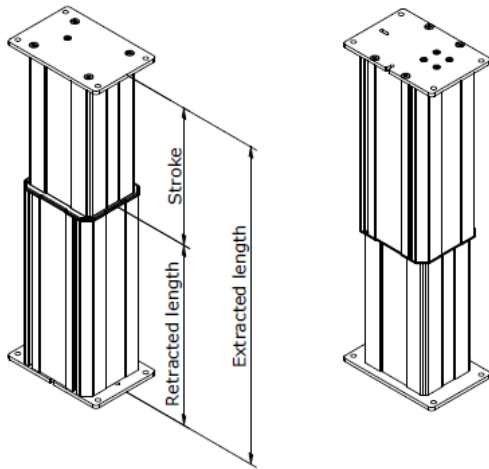
	SD-DS23/SD-DS12	SD-DR23/SD-DR12	SD-CR23/SD-CR12
Force, max push*	1.500 N	2.500 N	4.000 N
Self-locking force**	1.500 N	2.500 N	4.000 N
Speed at max force with compact-3 or SMARTneo	20 mm/s	10 mm/s	5 mm/s
Stroke, S	50 mm to 500 mm in steps of 50 mm		50 mm to 400 mm in steps of 50 mm
Retracted length, R	R = S + 170 mm		
Duty cycle [%]	10 % (1 min ON / 9 min OFF)		
Voltage	24 VDC		
Ambient temp	+10°C to +40°C		
Current at max force	4,5 A	4 A	4,5 A
IP Class	IP 20		

\* See diagrams on page 3

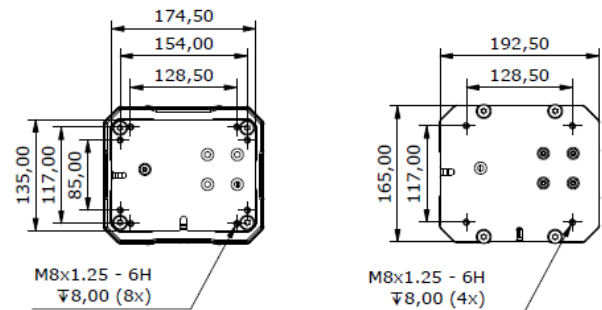
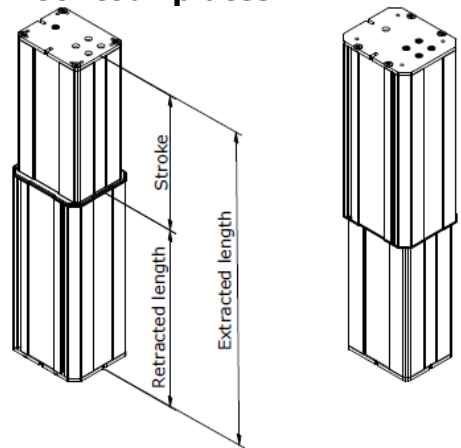
\*\* Only applied when connected by short circuit

# Technical drawings

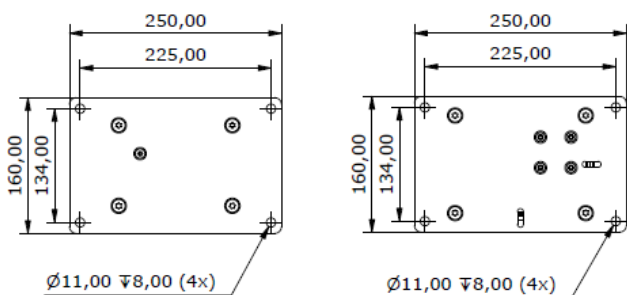
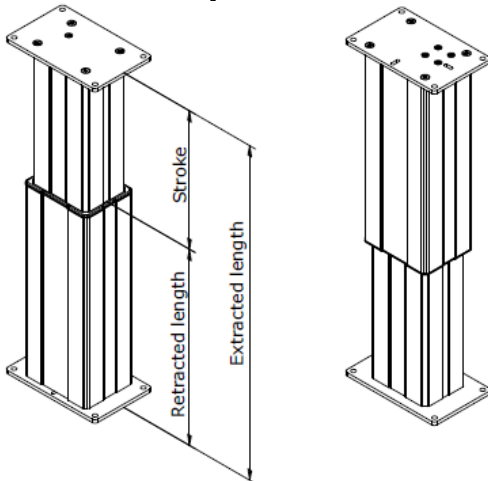
## Standard plates D12



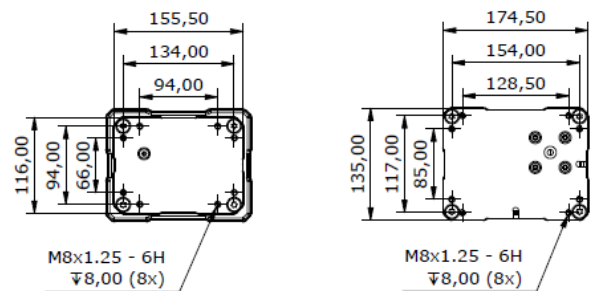
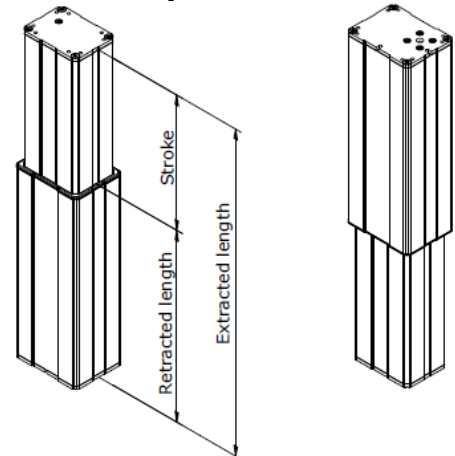
## Contour plates D12



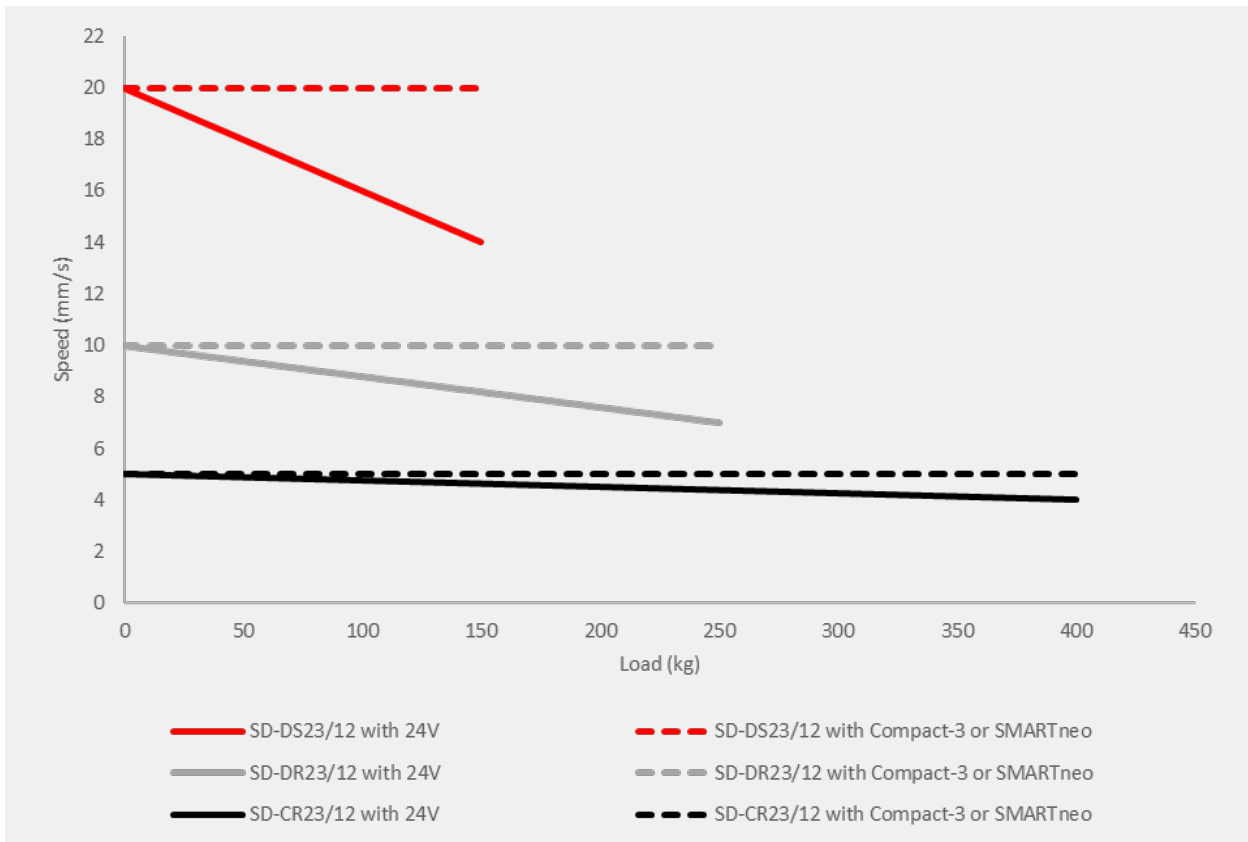
## Standard plates D23



## Contour plates D23



## Speed/Load-diagram



## Recommended control units

### Compact-3



Maximum-efficiency SMPS  
 230VAC (EU) or 120VAC (US) versions  
 24V - 33V output  
 3 motor exits (max 5-8A/motor exit)  
 Cascading: connect up to 4 Compact-3  
 Control two motor groups separately with the same control unit

### SMARTneo



Cost-effective SMPS  
 230VAC (EU)  
 24V-33V output  
 2 motor exits (max 5A/motor exit)  
 Cascading: connect up to 2 SMARTneo  
 Control two motor groups separately with the same control unit

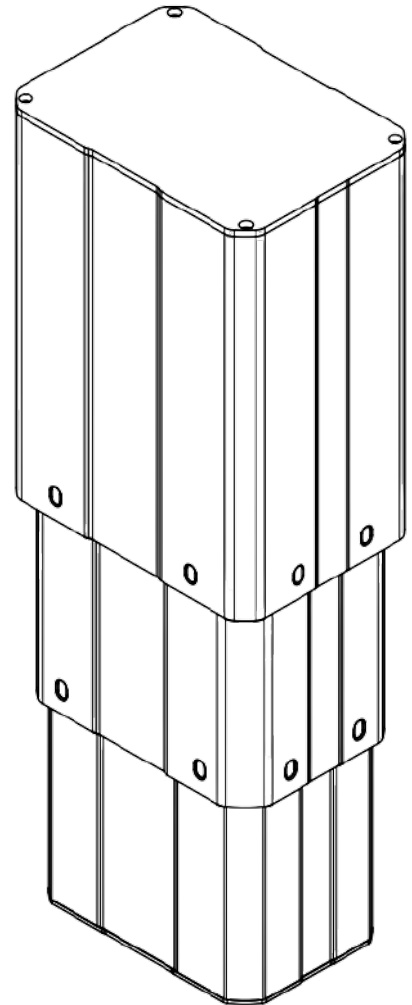
## Ordering key

<i>Actuator Type</i> S	<input type="checkbox"/> <b>S</b> – Single Lead screw
<i>Profile Series</i> D	<input type="checkbox"/> <b>D</b> – D-Series
<i>Motor type</i> C	<input type="checkbox"/> <b>C</b> – Gammadrive 35:1 <input type="checkbox"/> <b>D</b> – Gammadrive 34:2
<i>Lead Screw type</i> R	<input type="checkbox"/> <b>R</b> – T14x3 <input type="checkbox"/> <b>S</b> – T14x6
<i>Profile no. From-To</i> 12	D-Series Profile <input type="checkbox"/> <b>1</b> – 193x165mm <input type="checkbox"/> <b>2</b> – 175x135mm <input type="checkbox"/> <b>3</b> – 156x116mm
<i>Stroke Length</i> 100	50-500 in steps of 50 mm [mm]
<i>Retracted Length</i> 270	$R = S + 170$ mm [mm]
<i>Plates</i> 1	<input type="checkbox"/> <b>1</b> – Standard plates <input type="checkbox"/> <b>2</b> – Contour plates <input type="checkbox"/> <b>3-9</b> – Custom

# X2 Technology – The Customizer

Before use of products, see general terms & conditions and operating manuals. Lifetime and suitability are depending on application and must therefore be tested by each user. Specifications subject to change without prior notice. All components in this datasheet are property of Phoenix Mecano AB and may therefore not be used without permission.

Copyright © Phoenix Mecano AB 2024.01



## Phoenix Mecano AB




+46 470 717950



[info@phoenix-mecano.se](mailto:info@phoenix-mecano.se)



[www.phoenix-mecano.se](http://www.phoenix-mecano.se)

 Made in Sweden



## X2 TECHNOLOGY

A Phoenix Mecano Brand