

Illustration for MBCA20

Fixed+Fixed

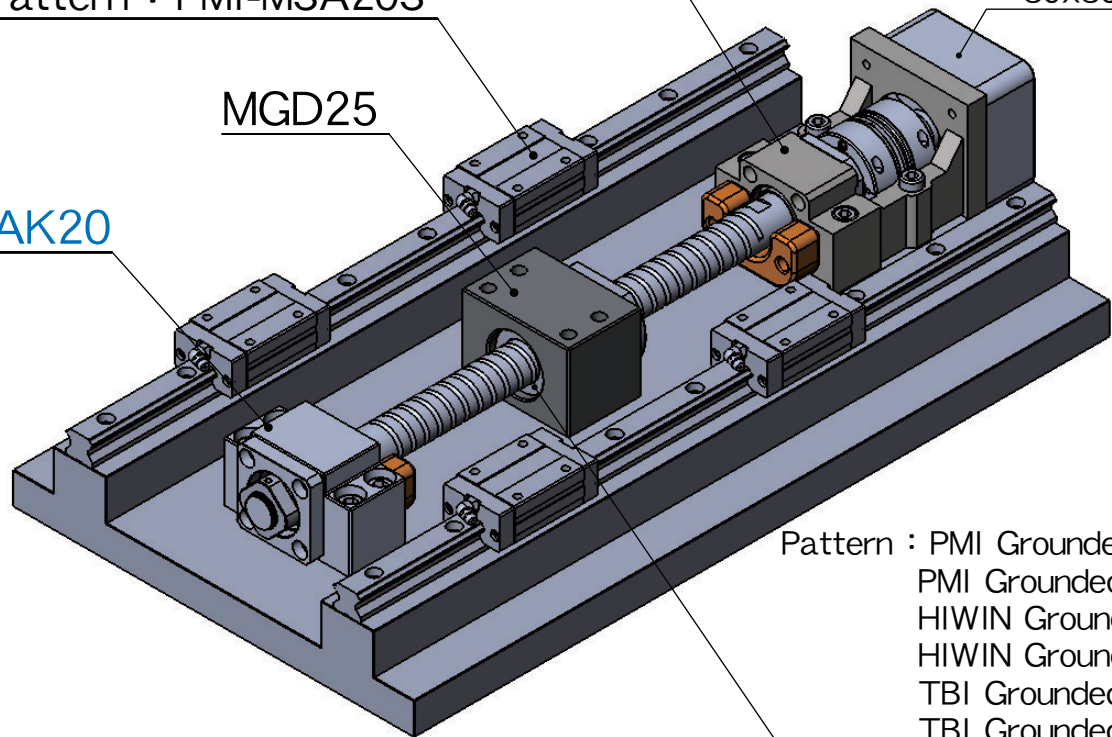
Pattern : Servo motor
 Yaskawa SGMAH-08A
 Mitsubishi HF-KP73
 HF-MP73
 SANYO P30B08075
 DELTA C10807
 HIWIN FRMS750W
 □80x80

MBCA20-E

Pattern : PMI-MSA20S

MGD25

AK20



Pattern : PMI Grounded FDDC25
 PMI Grounded FSDC25
 HIWIN Grounded FSC25
 HIWIN Grounded FDC25
 TBI Grounded SFS25
 TBI Grounded DFS25

Fixed+Supported

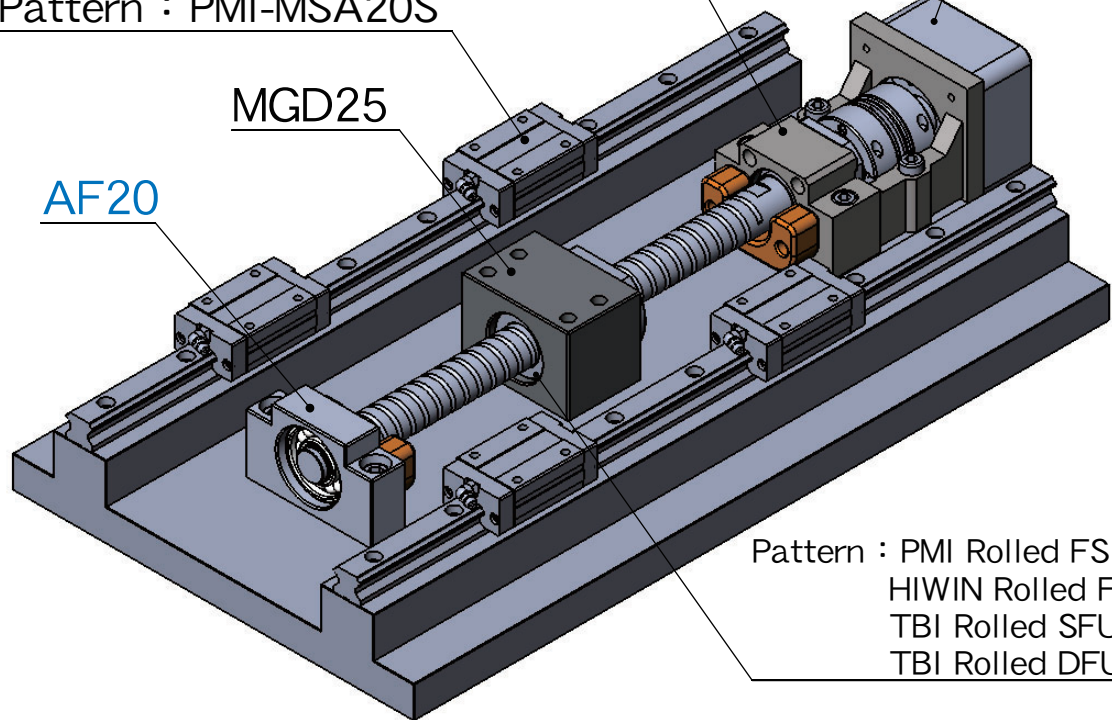
Pattern : Servo motor
 Panasonic MSMA082
 □80x80

MBCA20-EP

Pattern : PMI-MSA20S

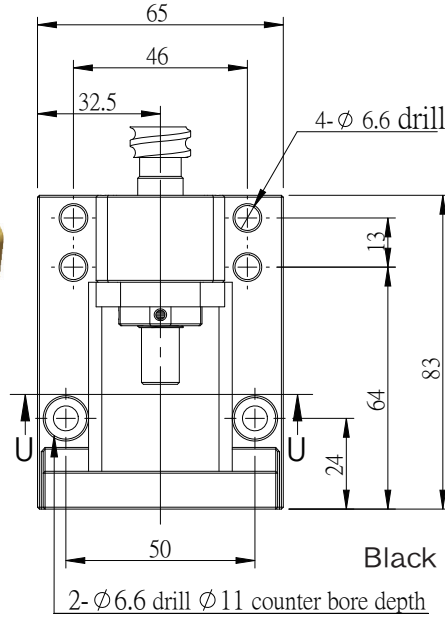
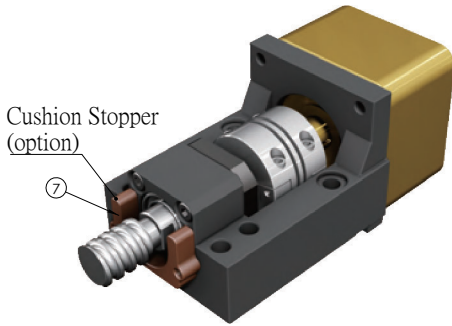
MGD25

AF20

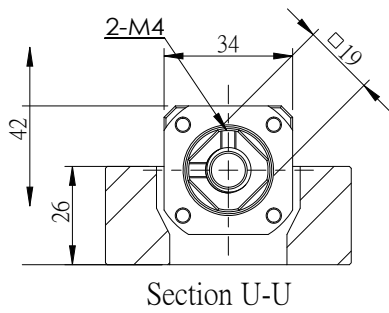


Pattern : PMI Rolled FSIN25
 HIWIN Rolled FSI25
 TBI Rolled SFU25
 TBI Rolled DFU25

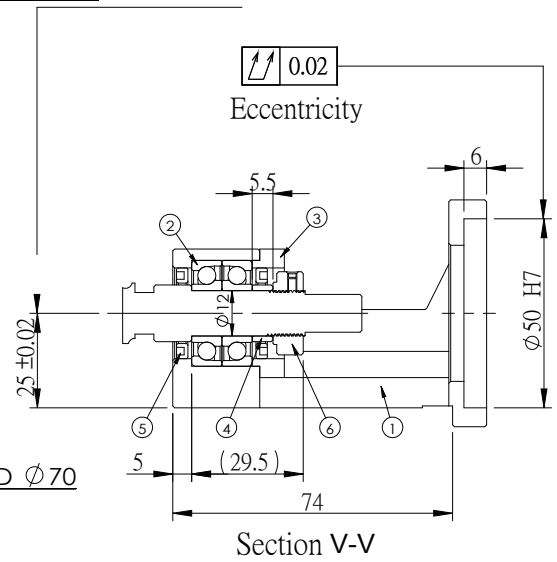
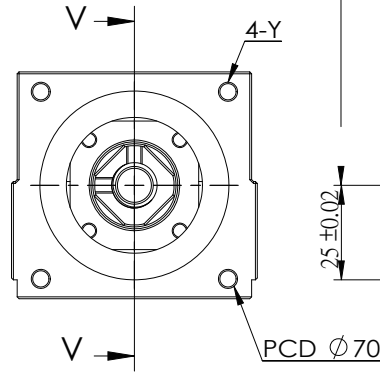
Motor Bracket MBCB12



Surface treatment:
Black Oxide / Electroless Nickel Plating



Section U-U



Section V-V

No.	Part name	Qty
1	Housing	1
2	7001 Bearing	1 set
3	Holding lid	1
4	Collar	2
5	Seal	2
6	Lock nut	1set
7	Cushion Stopper (option)	1

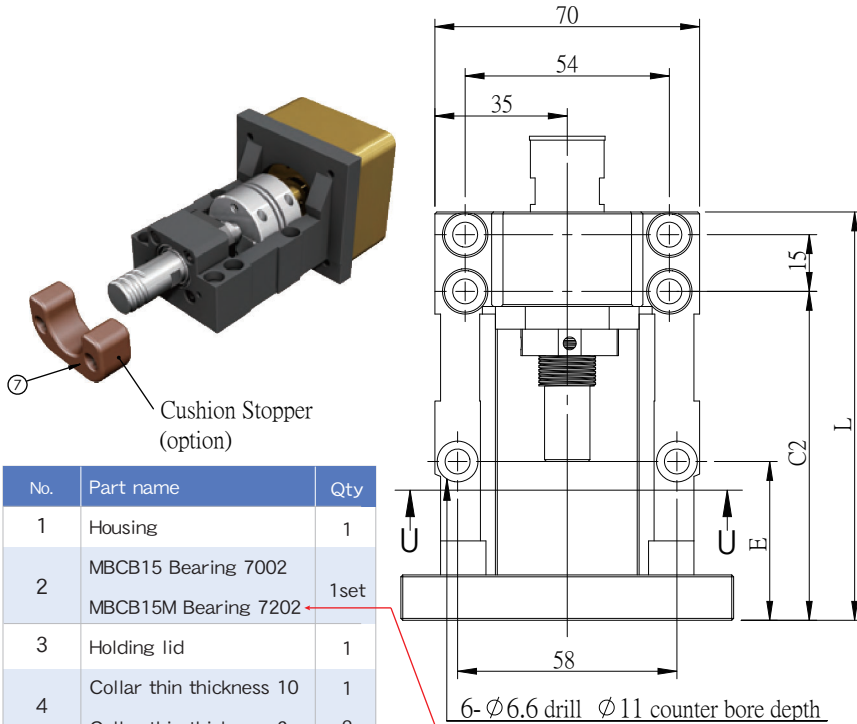
Unit : mm

Model No.	Y	Weight (Kgs)	Support unit	Suggest Coupling
			Supported-side	
MBCB12-D	M5	0.8	BF12	SGS 34C
MBCB12-DP	M4			

Note :

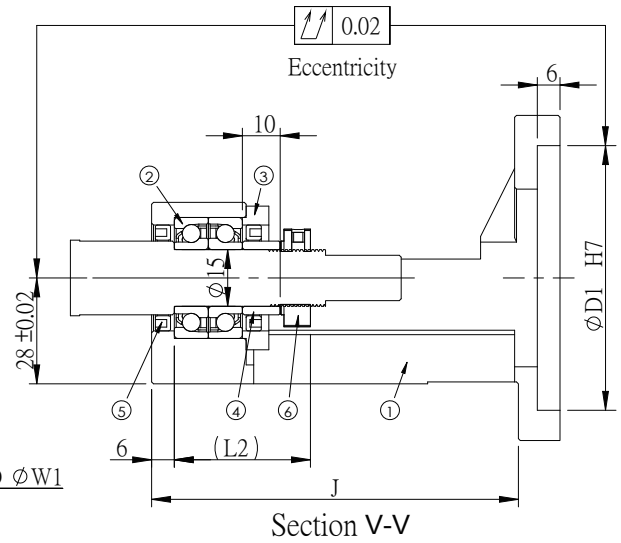
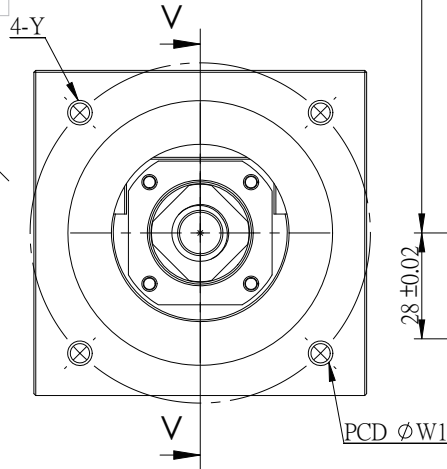
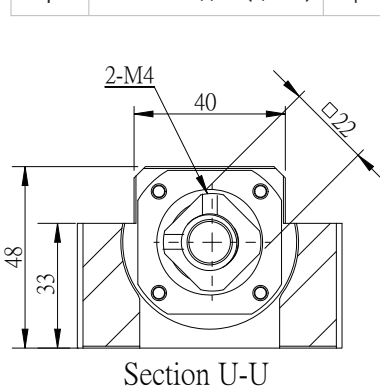
1. The matched bearing in the support unit has already done the preload.
2. The matched P5 bearings are assembled in DF way, which is the most suitable for ball screw use.

Motor Bracket MBCB15



Surface treatment:
Black Oxide /
Electroless Nickel Plating

No.	Part name	Qty
1	Housing	1
2	MBCB15 Bearing 7002	1set
	MBCB15M Bearing 7202	
3	Holding lid	1
4	Collar thin thickness 10	1
	Collar thin thickness 6	2
5	Seal	2
6	Lock nut	1set
7	Cushion Stopper (option)	1



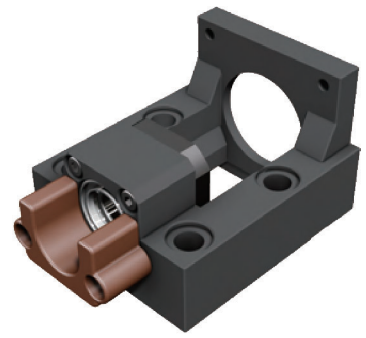
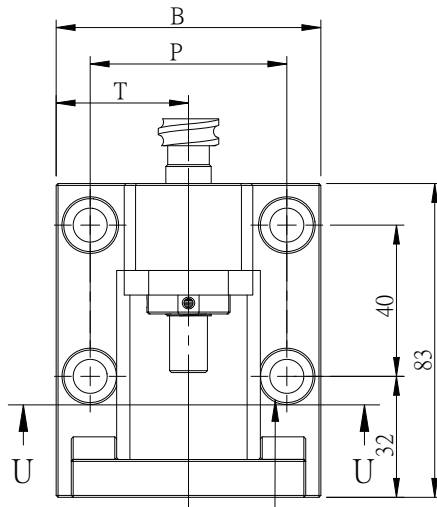
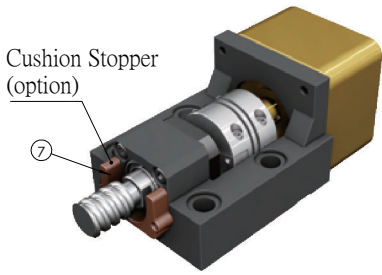
Unit : mm

Model No.	D1	W1	Y	L	L2	E	C2	J	Weight (Kgs)	Support unit	Suggest Coupling
										Supported-side	
MBCB15-D	50	70	M5	98	36	32	77	89	0.98	BF 15	SGS 34C SGS 40C
MBCB15-DP			M4								
MBCB15-E	70	90	M6	108	36	42	87	97	1.39	BF 15	SGS 40C SGS 45C
MBCB15-EP			M5								
MBCB15M-E	70	90	M6	110	40	44	89	99	1.46	BF 15	SGS 40C SGS 45C
MBCB15M-EP			M5								

Note :

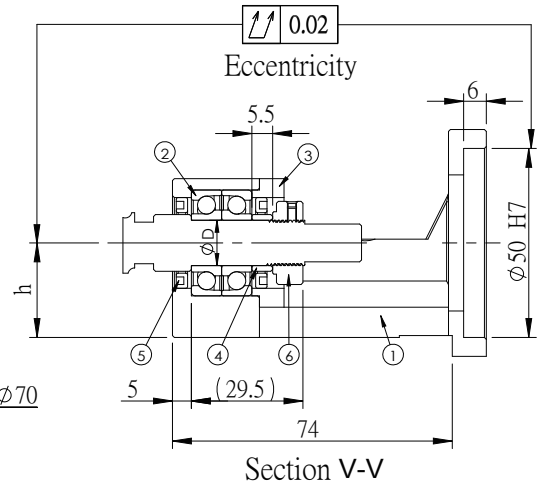
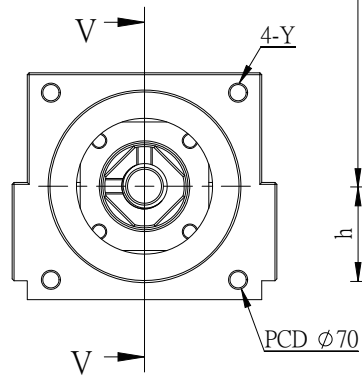
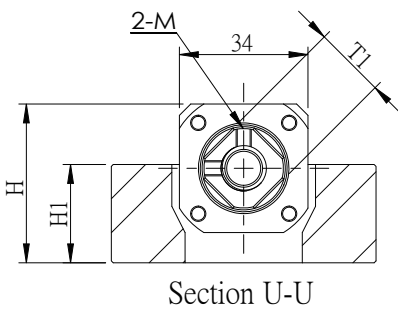
1. The matched bearing in the support unit has already done the preload.
2. The matched P5 bearings are assembled in DF way, which is the most suitable for ball screw use.

Motor Bracket MBCE10/12、MBCF10/12



Surface treatment:
Black Oxide
/
Electroless Nickel Plating

No.	Part name	Qty
1	Housing	1
2	Bearing	
	MBC*10 with bearings 7000	1 set
	MBC*12 with bearings 7001	
3	Holding lid	1
4	Collar	2
5	Seal	2
6	Lock nut	1set
7	Cushion Stopper (option)	1



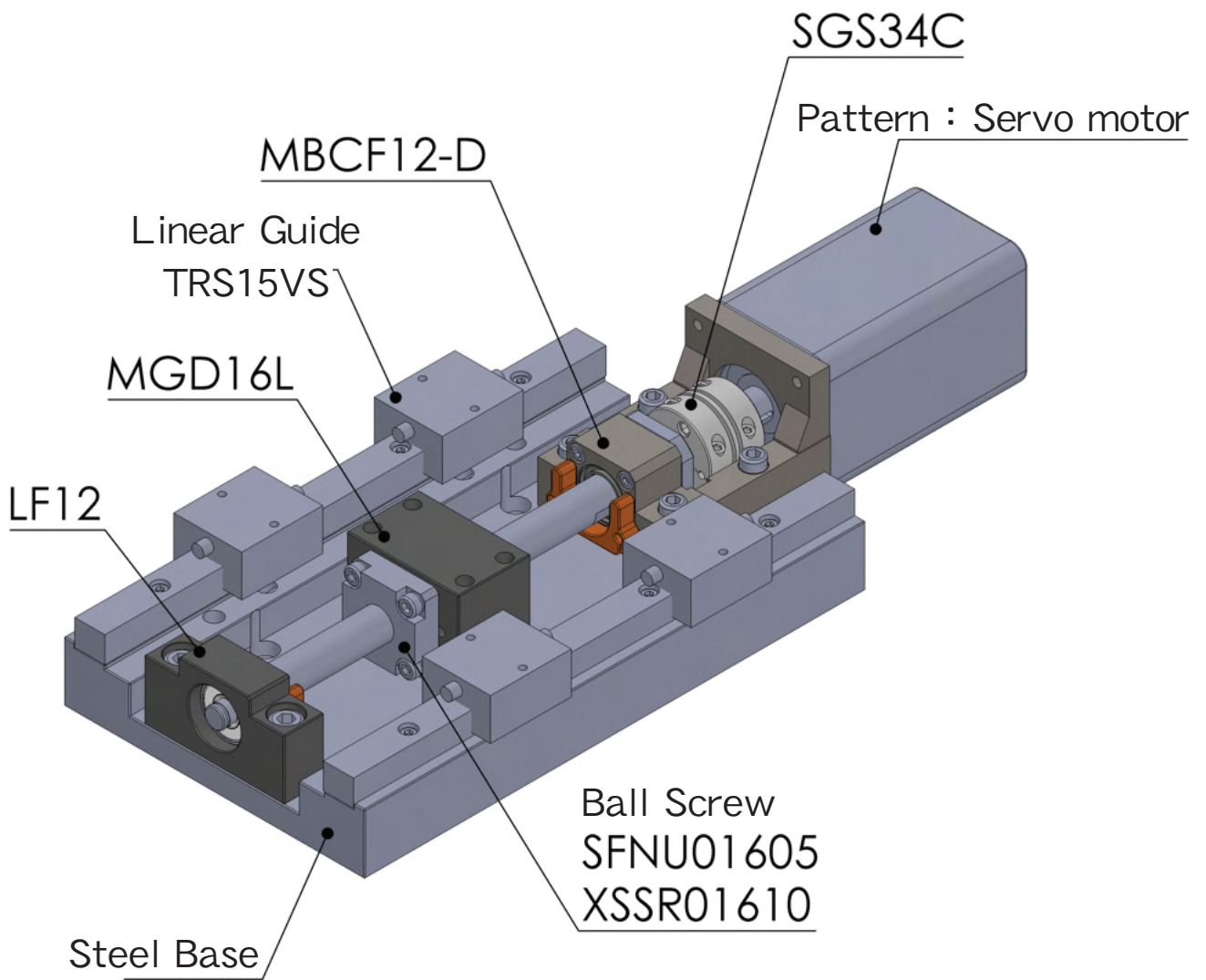
Unit : mm

Model No.	B	P	T	H	H1	h ±0.02	φD	T1	M	Y	S	Q	Weight (Kgs)	Support unit	Suggest Coupling
														Supported-side	
MBCE10-D	70	52	35	42	26	25	10	□16	M3	M5	9	14	0.89	EF10	SGS 34C
MBCE10-DP														AF 10	
MBCE12-D	70	52	35	42	26	25	12	□19	M4	M5	9	14	0.86	EF12	SGS 34C
MBCE12-DP														AF 12	
MBCF10-D	63	50	31.5	37	21	20	10	□16	M3	M5	6.6	11	0.69	LF12	SGS 34C
MBCF10-DP														LFA 15	
MBCF12-D	63	50	31.5	37	21	20	12	□19	M4	M5	6.6	11	0.68	LF12	SGS 34C
MBCF12-DP														LFA 15	

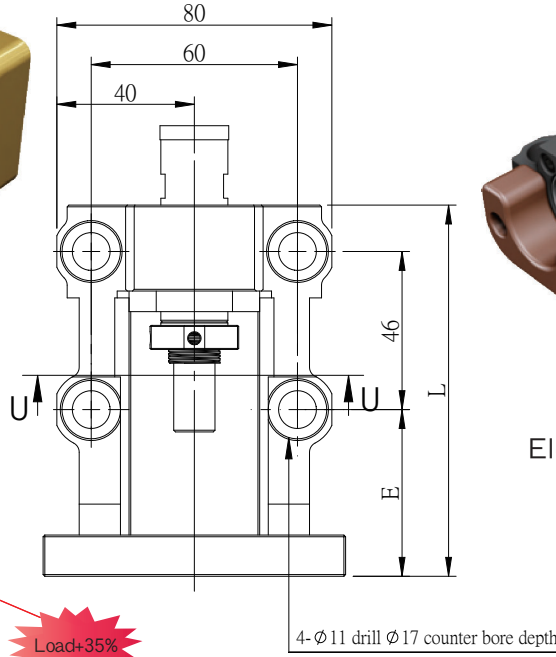
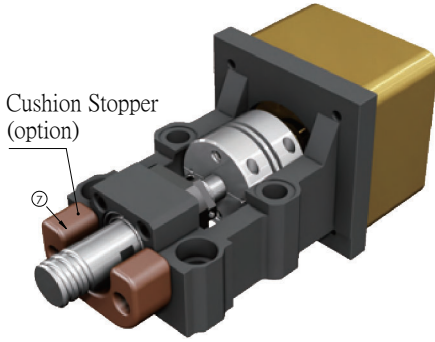
Note :

1. The matched bearing in the support unit has already done the preload.
2. The matched P5 bearings are assembled in DF way, which is the most suitable for ball screw use.

Illustration for MBCF10/12

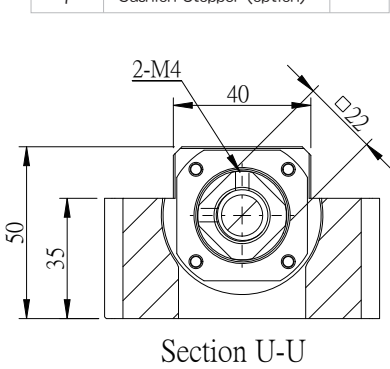


Motor Bracket MBCE15

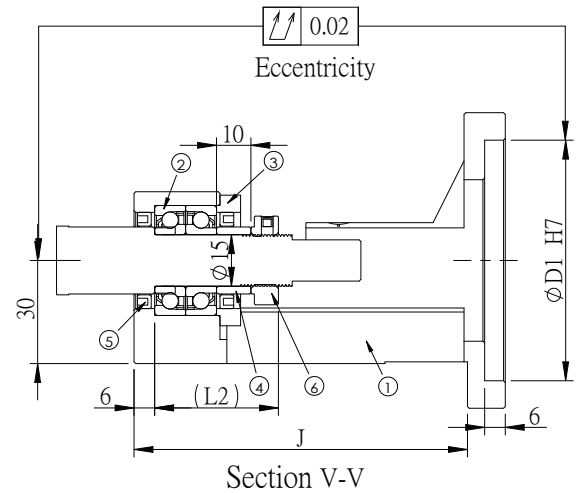
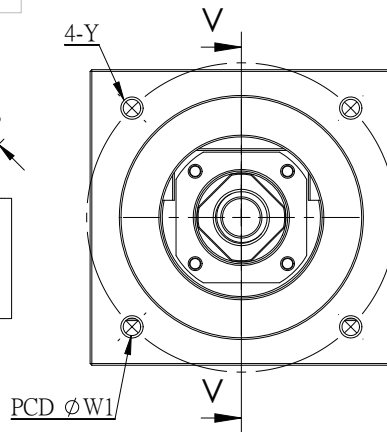


Surface treatment:
Black Oxide /
Electroless Nickel Plating

No.	Part name	Qty
1	Housing	1
2	Bearing	1 set
	MBCE15 with bearings 7002	
	MBCE15M with bearings 7202	
3	Holding lid	1
4	Collar	2
5	Seal	2
6	Lock nut	1set
7	Cushion Stopper (option)	1



Section U-U



Section V-V

Unit : mm

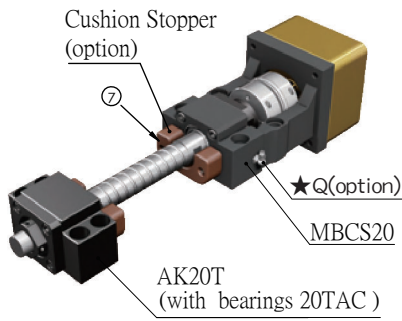
Model No.	D1	W1	Y	L	L2	E	J	Weight (Kgs)	Support unit	Suggest Coupling
									Supported-side	
MBCE15-D	50	70	M5	98	36	38.5	flat	1.09	EF 15 AF 15	SGS 34C SGS 40C
MBCE15-DP			M4							
MBCE15-E	70	90	M6	108	48.5	97	1.54	EF 15 AF 15	SGS 40C SGS 45C	
MBCE15-EP			M5							
MBCE15M-E	70	90	M6	110	40	50.5	99	1.61	EF 15 AF 15	SGS 40C SGS 45C
MBCE15M-EP			M5							

Note :

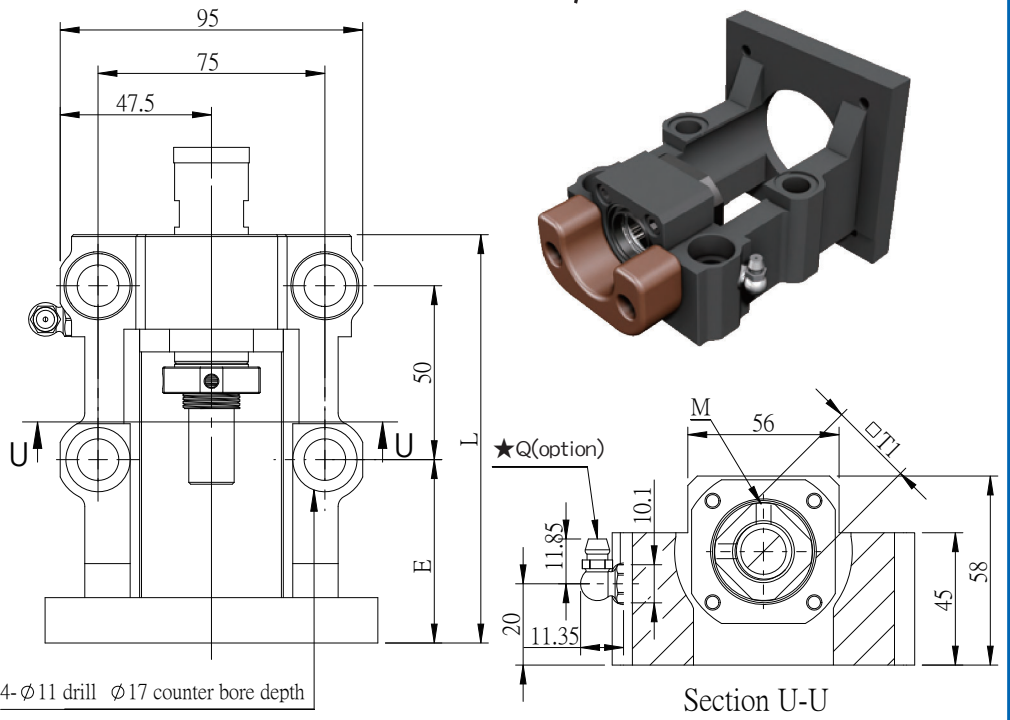
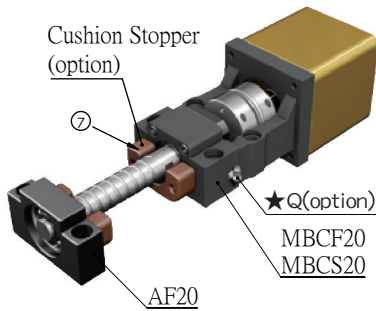
1. The matched bearing in the support unit has already done the preload.
2. The matched P5 bearings are assembled in DF way, which is the most suitable for ball screw use.

Motor Bracket MBCS15/17/20 / MBCF20

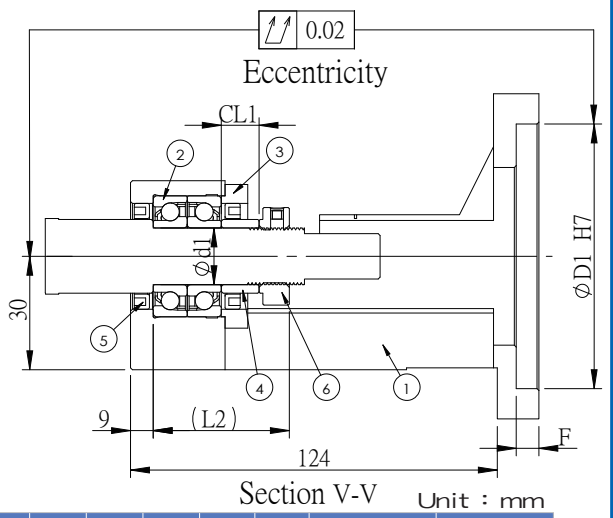
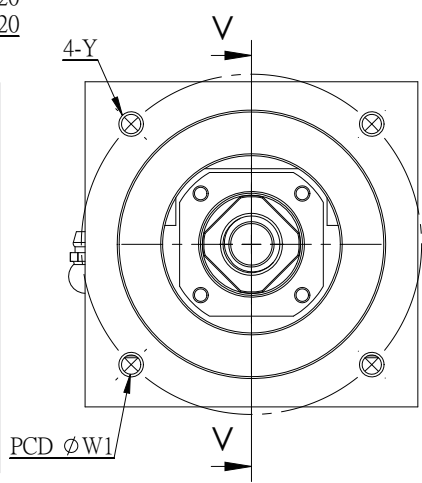
Fig→Fixed+Fixed



Fig→Fixed+Supported



No.	Part name	Qty
1	Housing	1
2	Bearing MBCS15 with bearings 15TAC MBCS17 with bearings 17TAC MBCF20 with bearings 7204 MBCS20 with bearings 20TAC	1set
3	Holding lid	1
4	Collar	2
5	Seal	2
6	Lock nut	1set
7	Cushion Stopper (option)	1

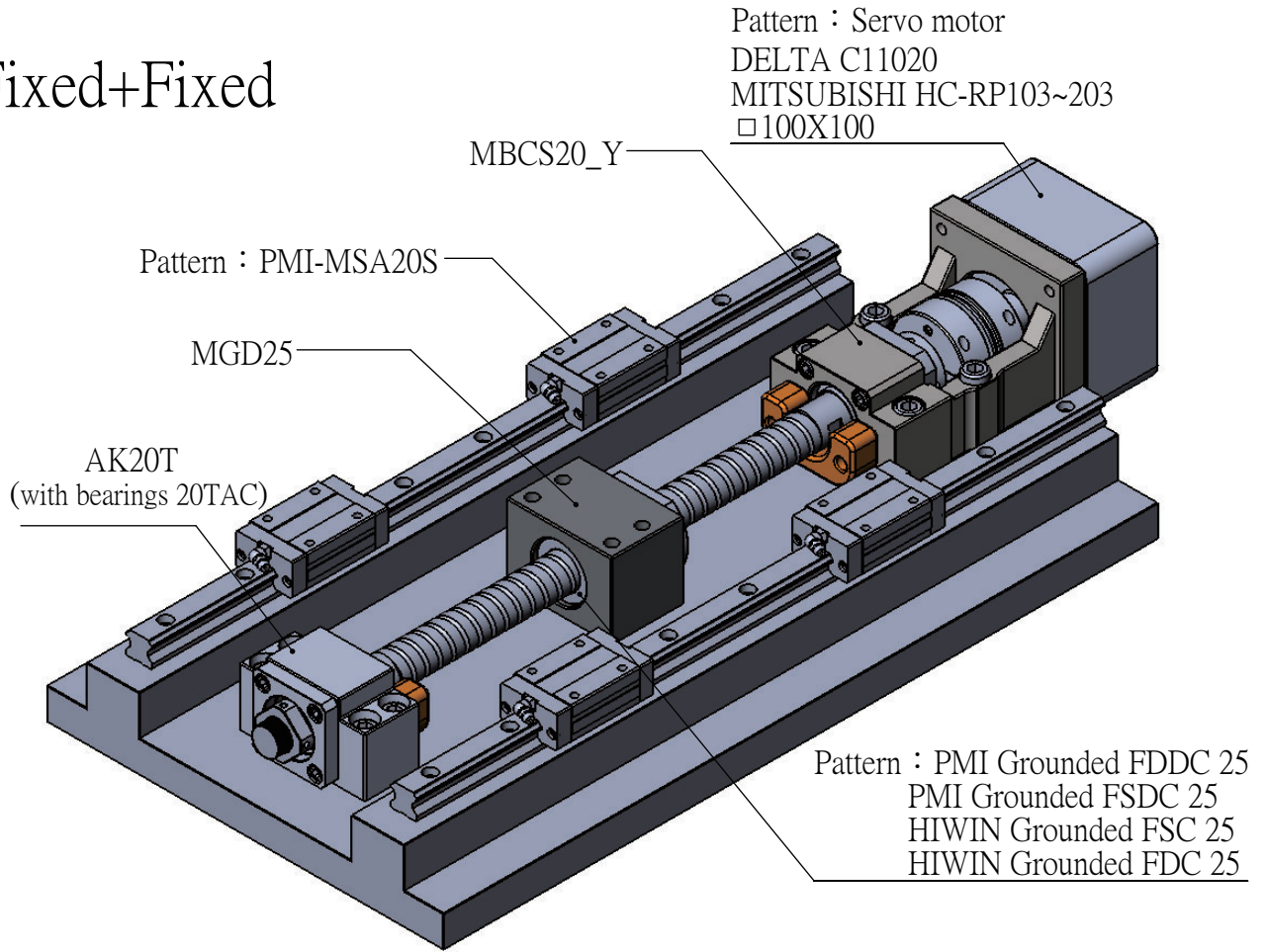


Model No.	D1	W1	Y	L	Shaft diameter d1	CL1	L2	E	F	M	T1	Q	Weight (Kgs)	Support unit Supported-side	Suggest Coupling
MBCS15-X	80	100	M6	140	15	9	47	70	8	2-M4	□22	-	2.77	AF 15 EF 15	SGS 50C
MBCS15-Y	95	115	M8	141				71					SGS 50C		
MBCS15-YP			M6	141				71					SGS 57C		
MBCS15-S	110	130	M8	151	17	9	57	81	10	4-M6	φ36	-	-	-	SGL 57C
MBCS15-G		145	M8	153				83					SGS 57C		
MBCS17-X	80	100	M6	140				20					11		50
MBCS17-Y	95	115	M8	141	71	SGS 50C									
MBCS17-YP			M6	141	71	SGS 57C									
MBCS17-S	110	130	M8	151	20	9	57	81	10	4-M6	φ40	-	-	AK20T AF20 EF20	SGL 57C
MBCS17-G		145	M8	153				83					SGS 57C		
MBCF20-X	80	100	M6	140				20					11		50
MBCF20-Y	95	115	M8	141	71	SGS 50C									
MBCF20-YP			M6	141	71	SGS 57C									
MBCF20-S	110	130	M8	151	20	9	57	81	10	4-M6	φ40	-	3.66	AK20T AF20 EF20	SGS 57C
MBCF20-G		145	M8	153				83					SGS 57C		
MBCS20-X	80	100	M6	140				20					9		57
MBCS20-Y	95	115	M8	141	71	SGS 50C									
MBCS20-YP			M6	141	71	SGS 57C									
MBCS20-S	110	130	M8	151	20	9	57	81	10	4-M6	φ40	-	3.66	AK20T AF20 EF20	SGS 57C
MBCS20-G		145	M8	153				83					SGS 57C		
MBCS20-G	110	145	M8	153				83					10		83

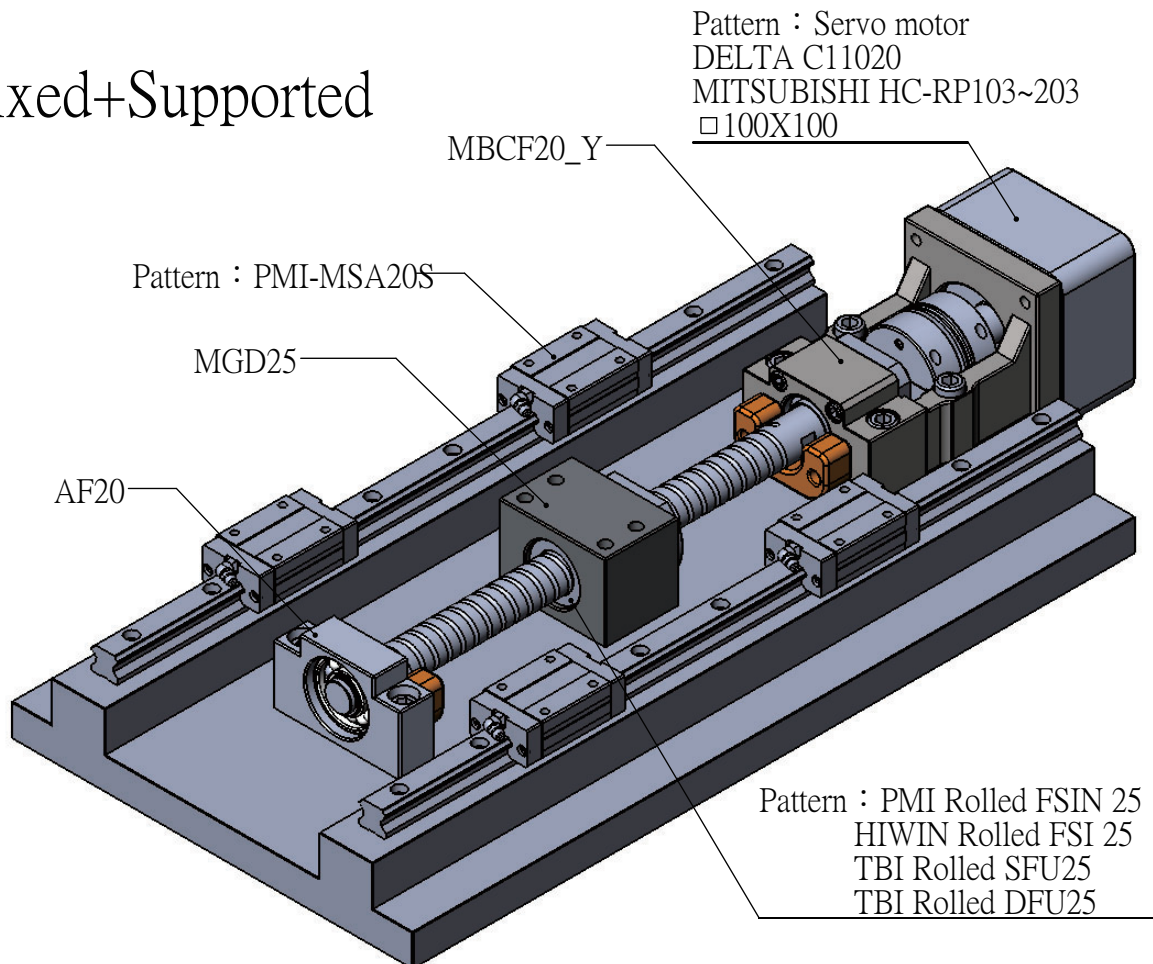
Note : 1. The matched bearing in the support unit has already done the preload.
 2. The matched bearings are assembled in DF way, which is the most suitable for ball screw use.
 3. The accuracy of TAC bearing is P4 grade and 7204 is P5 grade.
 4. The standard type is without Q, if required, please advise in advance.

Illustration for MBC_20

Fixed+Fixed

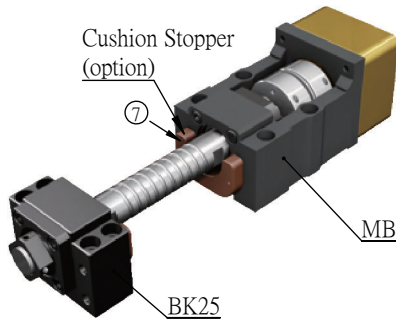


Fixed+Supported

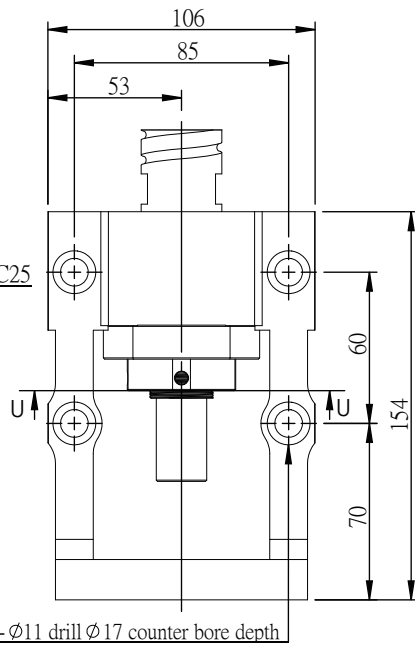
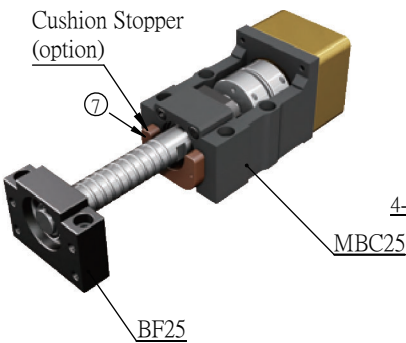


Motor Bracket MBC20H / MBC25

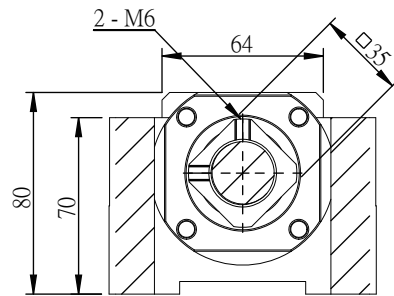
Fig→Fixed+Fixed



Fig→Fixed+Supported

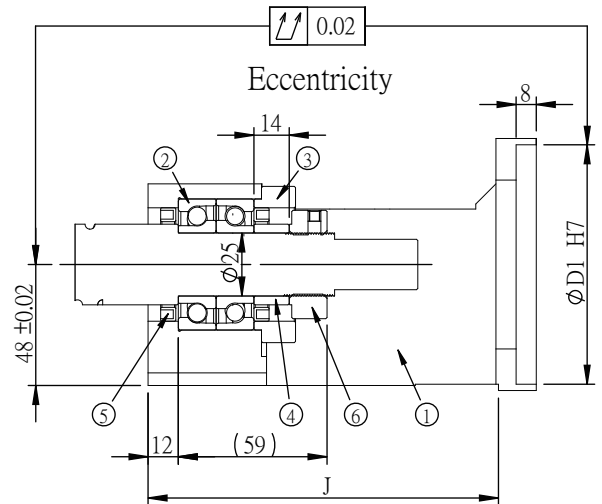
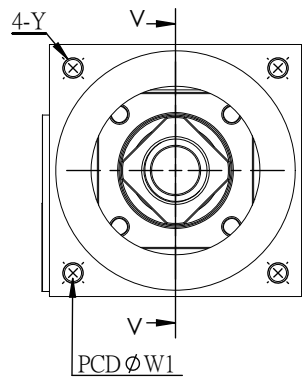


Surface treatment: Black Oxide



Section U-U

No.	Part name	Qty
1	Housing	1
2	Bearing	
	MBCF20H with bearings 7204	1set
	MBCS20H with bearings 20TAC	
	MBC25 with bearings 7205	
3	Holding lid	1
4	Collar	2
5	Seal	2
6	Lock nut	1set
7	Cushion Stopper (option)	1



Section V-V

Unit : mm

Model No.	D1	W1	Y	J	Shaft diameter d1	CL1	B	L2	M	T1	Weight (Kgs)	Support unit	Suggest Coupling						
												Supported-side							
MBCF20H-X	80	100	M6	flat	20	11	9	50	2-M4	□30	-	SK20	SGL 50C						
MBCS20H-X												SF20		SGL 57C					
MBC25-X	80	100	M6	flat	25	14	12	59	2-M6	□35	4.51	BK25	SGS 57C						
MBC25-Y														115	M8	139	4.43	BF25	SGS 65C
MBC25-YP															M6		4.35		

Note : 1. The matched bearing in the support unit has already done the preload.

2. The matched bearings are assembled in DF way, which is the most suitable for ball screw use.

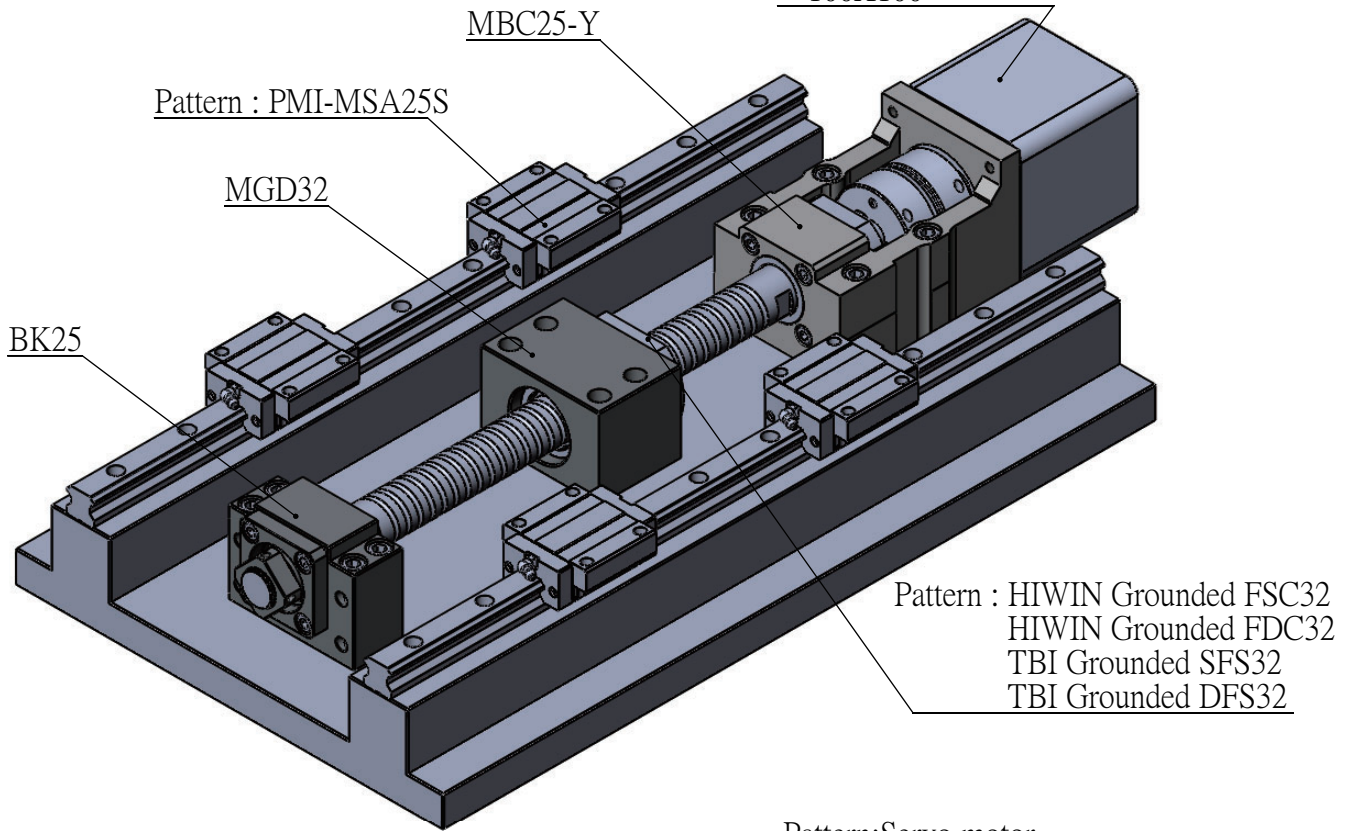
3. The accuracy of TAC bearing is P4 grade and 7204、7205 is P5 grade.



Illustration for MBC25

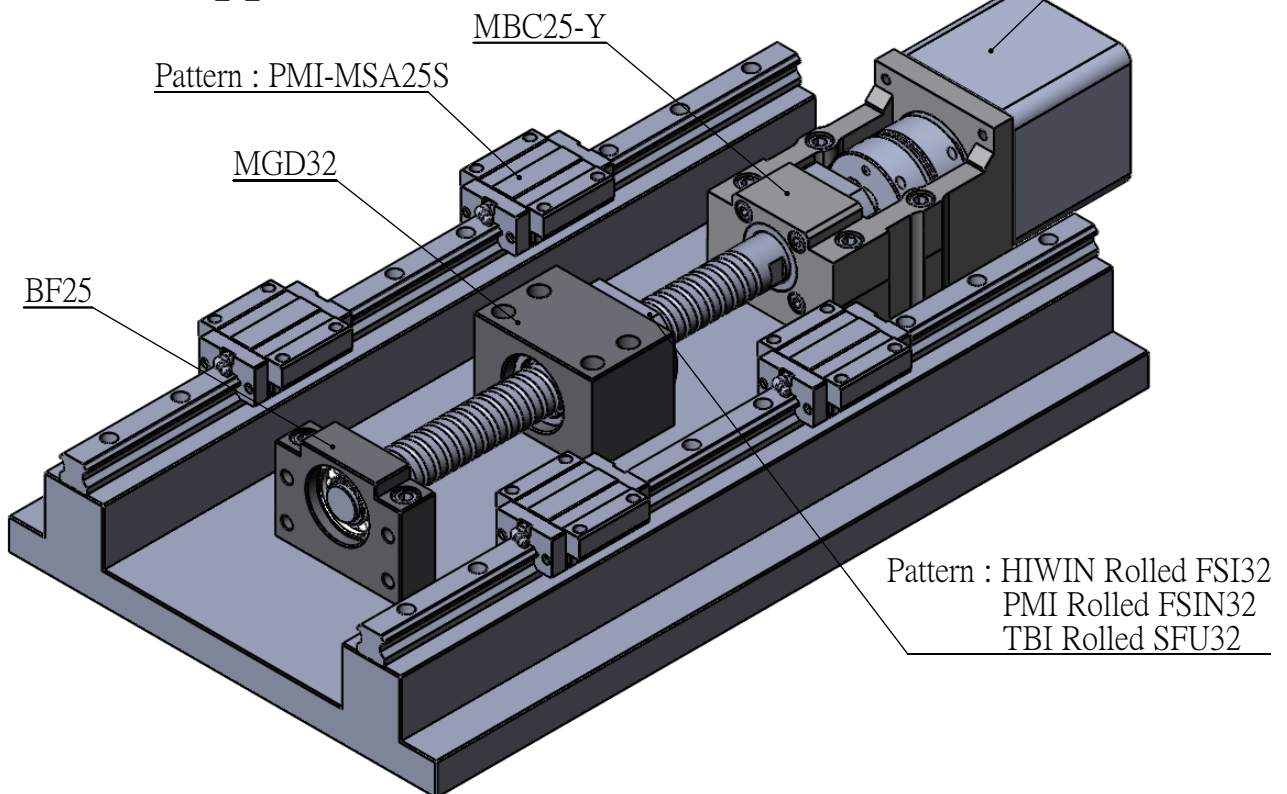
Fixed+Fixed

Pattern: Servo motor
DELTA C11020
MITSUBISHI HC-RP103~203
□100X100

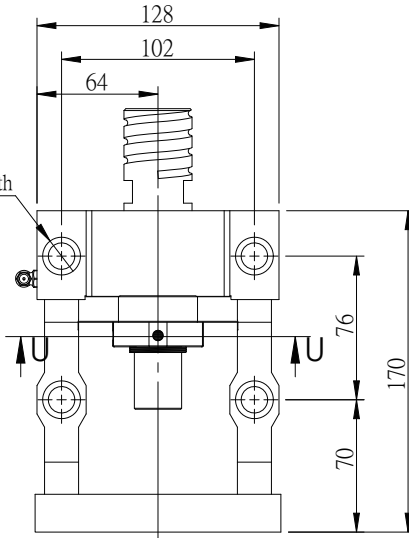
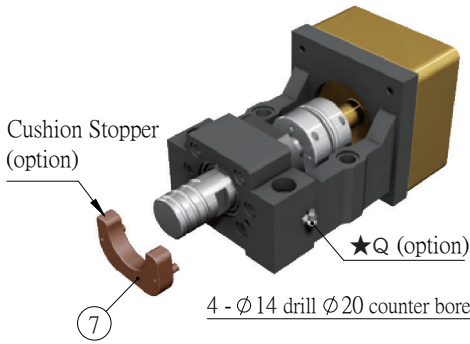


Fixed+Supported

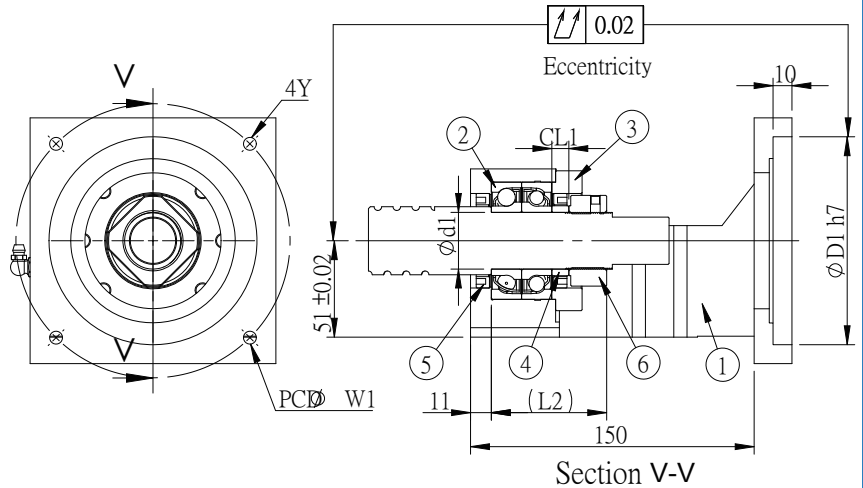
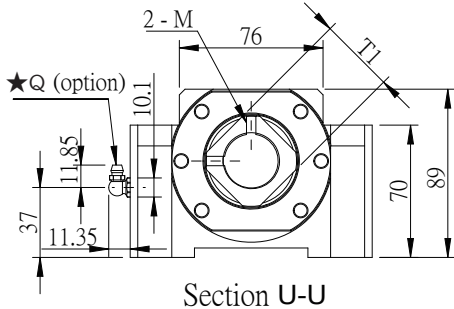
Pattern: Servo motor
DELTA C11020
MITSUBISHI HC-RP103~203
□100X100



Motor Bracket MBCS25/30 / MBCF30



No.	Part name	Qty
1	Housing	1
2	Bearing MBCS25 with bearings 25TAC MBCS30 with bearings 30TAC MBCF30 with bearings 7206	1set
3	Holding lid	1
4	Collar	2
5	Seal	2
6	Lock nut	1set
7	Cushion Stopper (option)	1



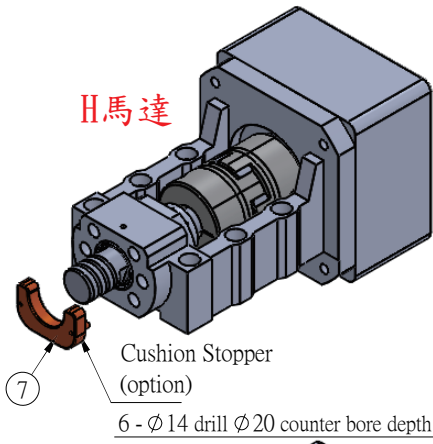
Unit : mm

Model No.	D1	W1	Y	Shaft diameter d1	CL1	L2	M	T1	Q	Weight (Kgs)	Support unit	Suggest									
											Supported-side	Coupling									
MBCS25-Y	95	115	M8	25	15	65	4-M6	φ 45	-	6.75	SBK25 SF25	SGL 65C									
MBCS25-YP			M6																		
MBCS25-S	110	130	M8										30	9	61	2-M4	□ 40	-	6.45	-	SGS 65C
MBCS25-G		145	M6																		
MBCF30-Y	95	115	M8	30	9	61	2-M4	□ 40	-	6.56	BK30 BF30	SGL 65C									
MBCF30-YP			M6																		
MBCF30-S	110	130	M8										30	15	65	4-M6	φ 50	-	6.4	-	-
MBCF30-G		145	M6																		
MBCS30-Y	95	115	M8	30	15	65	4-M6	φ 50	-	-	-	-									
MBCS30-YP			M6																		
MBCS30-S	110	130	M8										30	15	65	4-M6	φ 50	-	-	-	-
MBCS30-G		145	M6																		

- Note : 1. The matched bearing in the support unit has already done the preload.
 2. The matched bearings are assembled in DF way, which is the most suitable for ball screw use.
 3. The accuracy of TAC bearing is P4 grade and 7206 is P5 grade.
 4. The standard type is without Q , if required, please advise in advance.



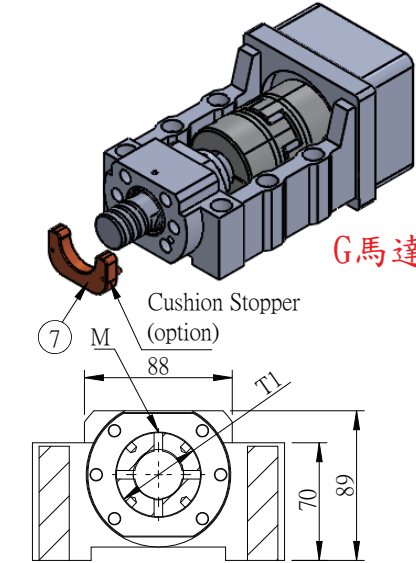
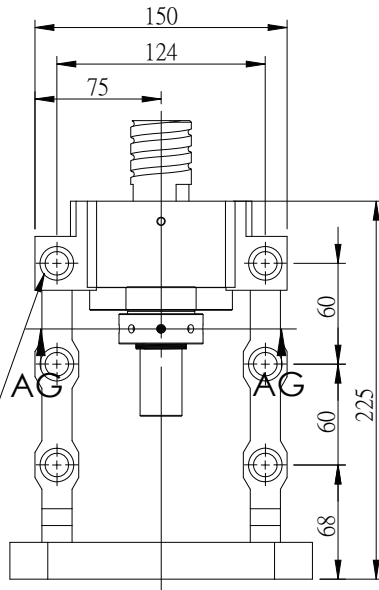
Motor Bracket MBCS25/30 / MBCF30 (Long Type)



H馬達

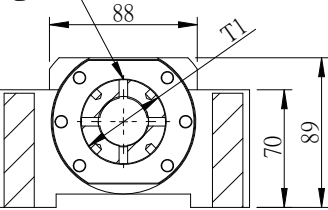
Cushion Stopper (option)

6 - $\phi 14$ drill $\phi 20$ counter bore depth

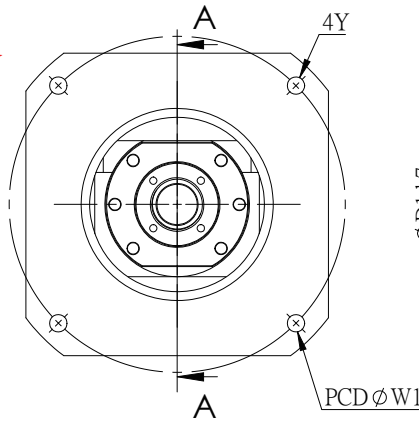


G馬達

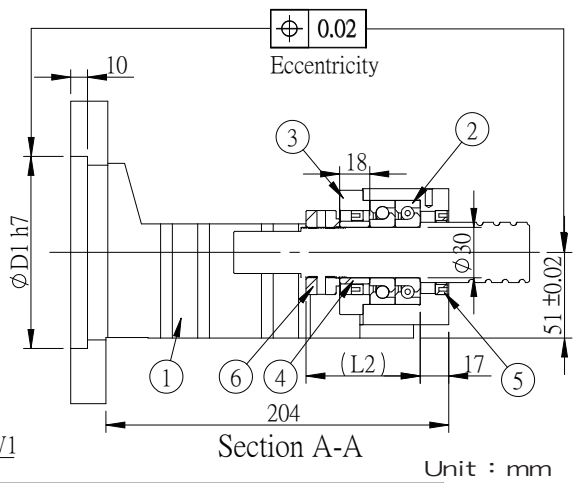
Cushion Stopper (option)



Section AG-AG



No.	Part name	Qty
1	Housing	1
2	Bearing MBCS25 with bearings 25TAC MBCS30 with bearings 30TAC MBCF30 with bearings 7206	1set
3	Holding lid	1
4	Collar	2
5	Seal	2
6	Lock nut	1set
7	Cushion Stopper (option)	1



Section A-A

Unit : mm

Model No.	D1	W1	Y	Shaft diameter d1	CL1	J	L1	L2	M	T1	Weight (Kgs)	Support unit	Suggest Coupling
												Supported-side	
MBCS25W-G	110	145	M8	25	18	204	17	68	4-M6	$\phi 45$	-	SBK25/SF25	ROTEX GS38
※ MBCS25-I	130	165	M10										ROTEX GS28
※ MBCS25-J	150	185	M10										MTC-65C-RD
MBCS25-H	114.3	200	M12										ROTEX GS28
MBCS30W-G	110	145	M8	30	18	204	17	68	4-M6	$\phi 50$	-	SBK30/BF30	MTC-65C-RD
※ MBCS30-I	130	165	M10										ROTEX GS28
※ MBCS30-J	150	185	M10										ROTEX GS28
MBCS30-H	114.3	200	M12										MTC-65C-RD
MBCF30W-G	110	145	M8	30	18	204	17	70	4-M6	$\phi 50$	-	BK30/BF30	ROTEX GS38
※ MBCF30-I	130	165	M10										ROTEX GS28
※ MBCF30-J	150	185	M10										MTC-65C-RD
MBCF30-H	114.3	200	M12										ROTEX GS28

※Customized.

Note : 1. The matched bearing in the support unit has already done the preload.

2. The matched bearings are assembled in DF way, which is the most suitable for ball screw use.

3. The accuracy of TAC bearing is P4 grade and 7206 is P5 grade.