

MOVETEC
more than components

RADIA-rullajohteet



Sisällysluettelo

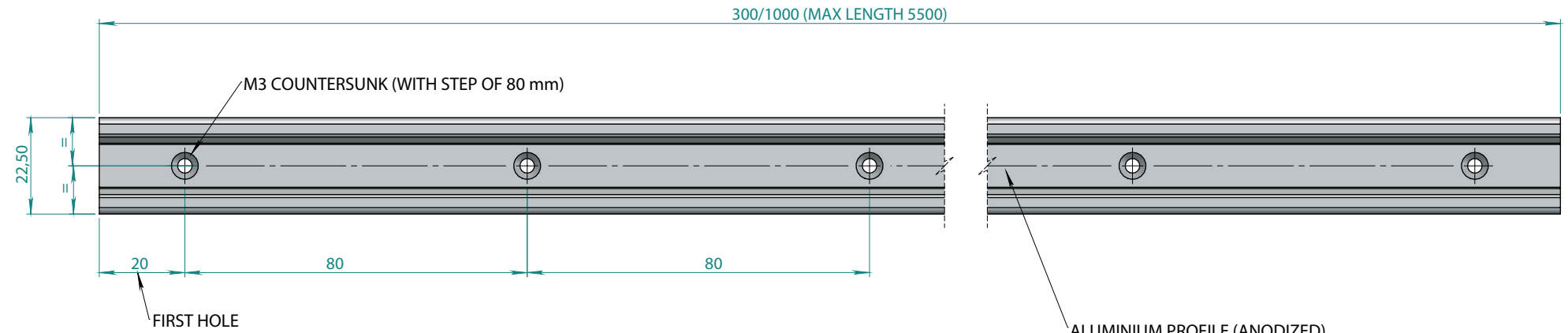
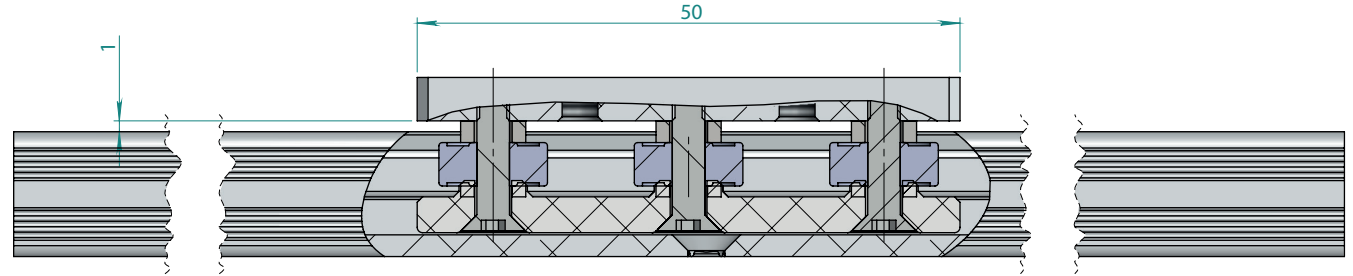
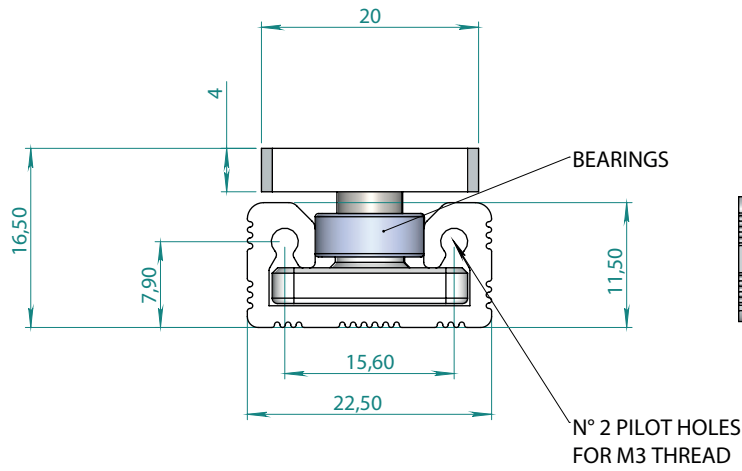
Kokoluokat (pienimmästä suurimpaan)

CEL 20 mm	s. 1
Kelkkakoko ja kuormitusarvot	s. 2
CL 32 mm	s. 3
Kelkkakoko 3 ja kuormitusarvot.....	s. 4
Kelkkakoko 5 ja kuormitusarvot.....	s. 5
CP 52 mm	s. 6
Kelkkakoko 3 ja kuormitusarvot	s. 7
Kelkkakoko 5 ja kuormitusarvot.....	s. 8
CEP 80 mm	s. 9
Kelkkakoko 3 ja kuormitusarvot.....	s. 10
Kelkkakoko 5 ja kuormitusarvot	s. 11
Johdekiskojen porausmitat	s. 12

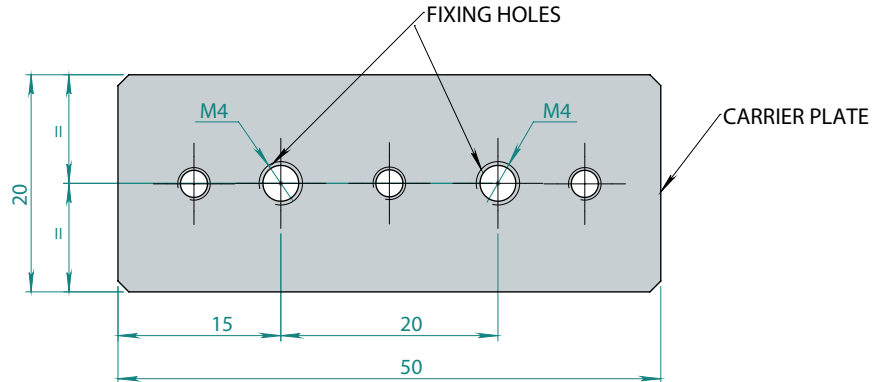
CEL

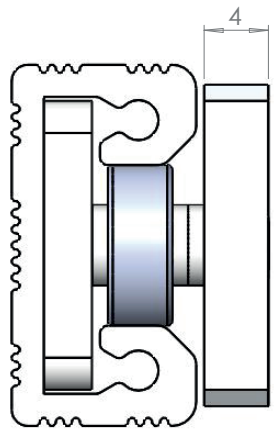
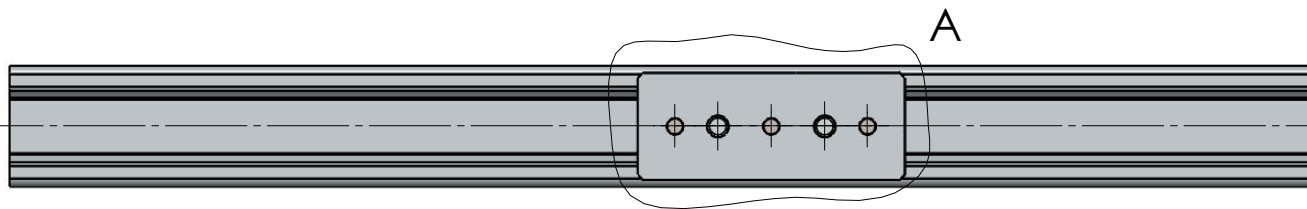
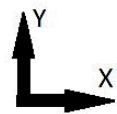
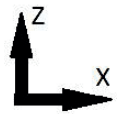


CARRIER CAN WORKS
IN HORIZONTAL AND
VERTICAL POSITION
(MAX LOAD 5 KG)

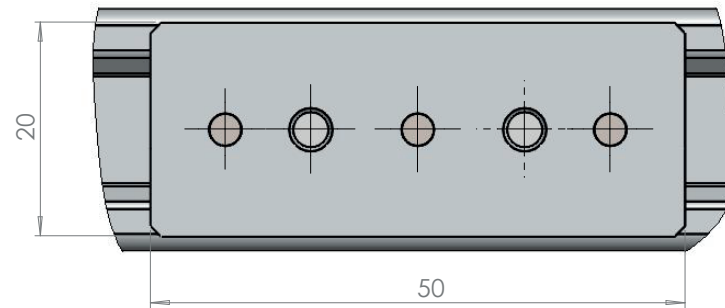


ALUMINIUM PROFILE (ANODIZED)
FROM 300 TO 1000
CAN BE SUPPLIED ALREADY DRILLED
(UPON REQUEST)
FOR PROFILE LONGER THAN 1000
(MAX LENGTH 5500 mm)
SUPPLIED ONLY WITHOUT HOLES





SCALE 3:1



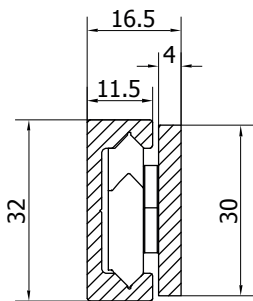
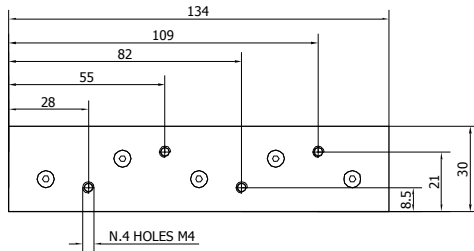
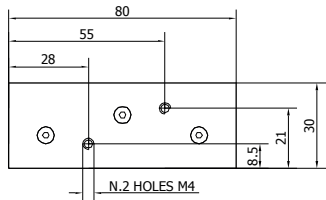
DETAIL A
SCALA 2:1

SLIDERS "CS"	
STRESS	/
Nz [N]	49
Ny [N]	65
Mx [Nmm]	652
My [Nmm]	1436
Mz [Nmm]	980

CL

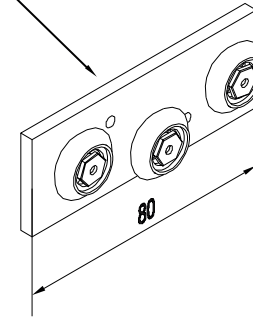
- Anodized aluminium section standard (alloy 6005a)
- Length profile upon request (Maximum 5500 mm)
- Drilling upon request
- Sliders are supplied factory fitted with a slight pre-load
- Plate different to standard upon request
- Rails are supplied undrilled as standard
- Load ratings are per carrier and can be increased accordingly

Drilling plate details



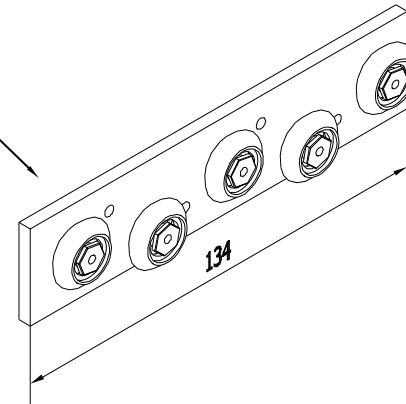
SECTION (Scale 2:1)

Aluminium slider with 3 bearings
(Max.Load 9 KG.)

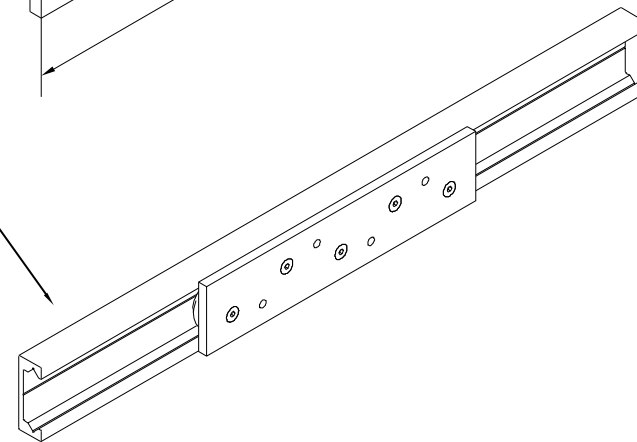


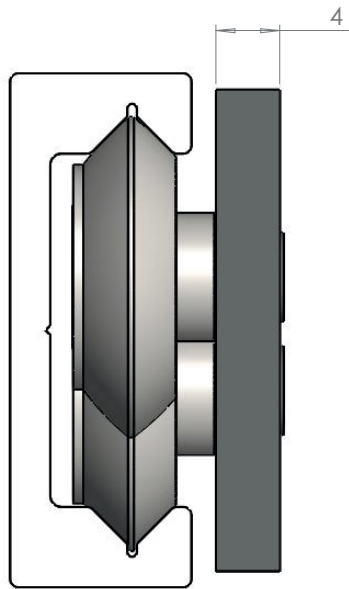
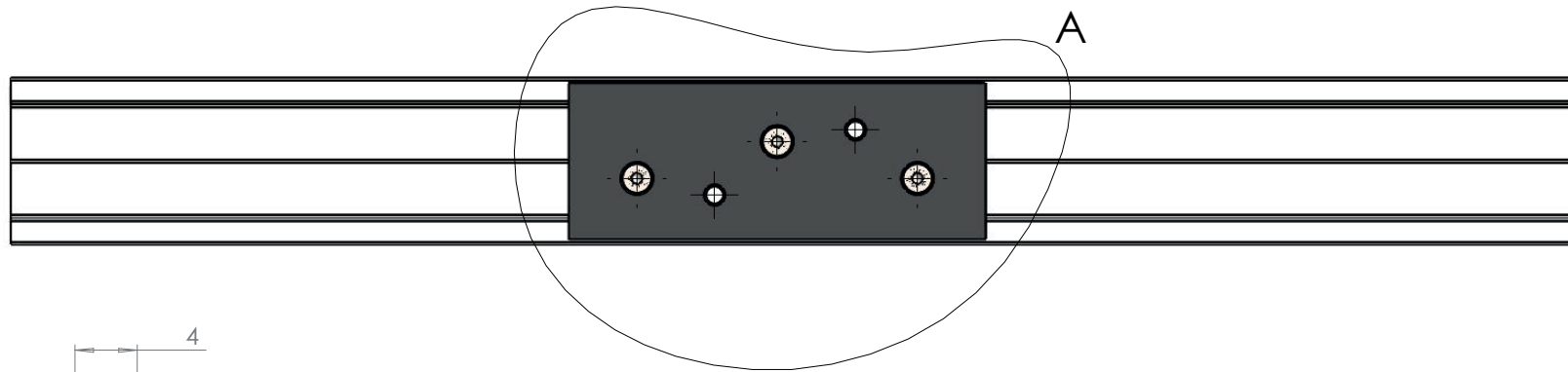
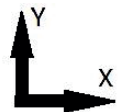
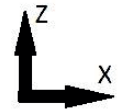
Unique plated steel bearings or optional Delrin for non-corrosion and weight reduction

Aluminium slider with 5 bearings
(Max.Load 14 KG.)

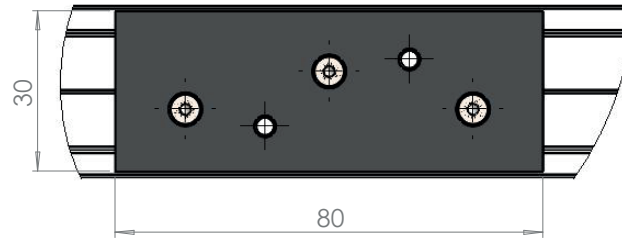


Anodized aluminium profile
Lengths & Drilling upon request Maximum 5500 mm
Drilling upon request



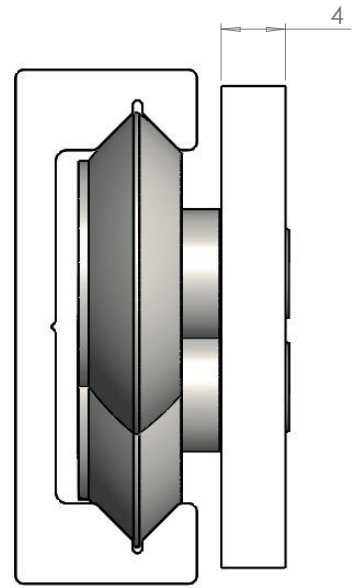
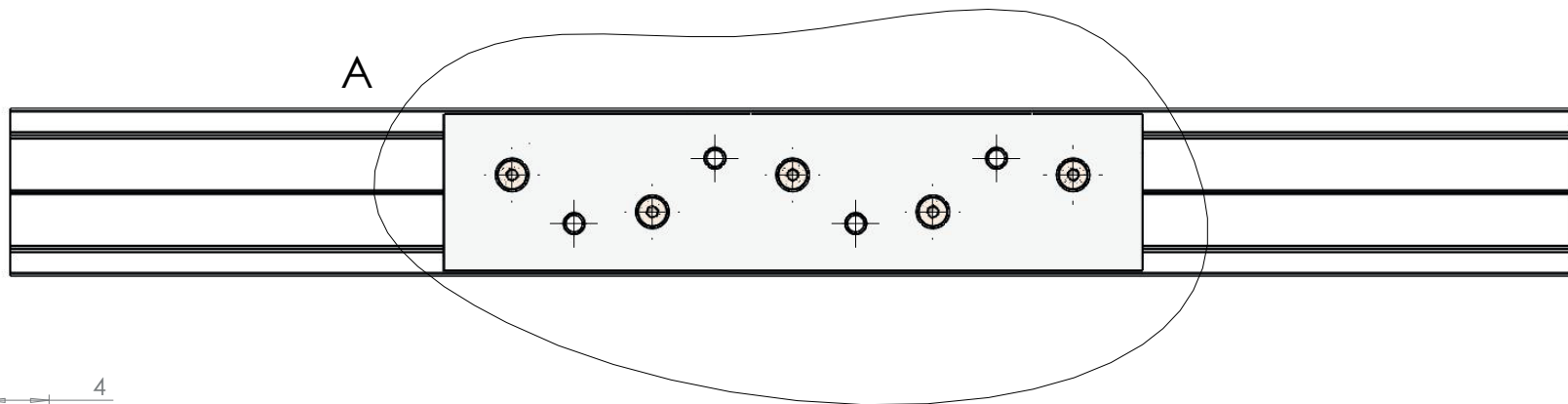
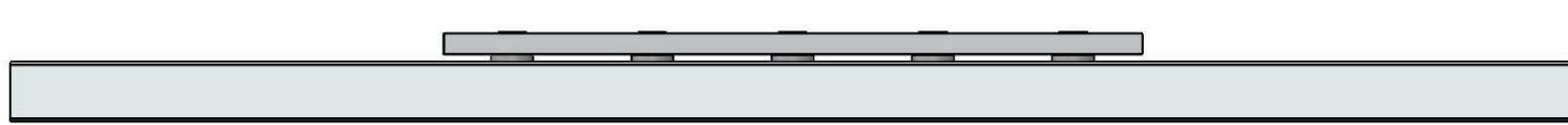


SCALE 3:1

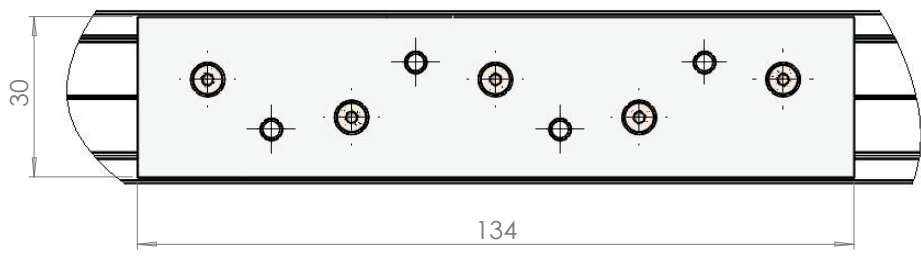


DETAIL A

SLIDERS "CL" WITH 3 BEARINGS		
STRESS	STEEL WHEEL	DELFIN WHEEL
Nz [N]	88.29	61.8
Ny [N]	118	82.4
Mx [Nmm]	1174	822
My [Nmm]	2587	1811
Mz [Nmm]	1766	1236



SCALE 3:1

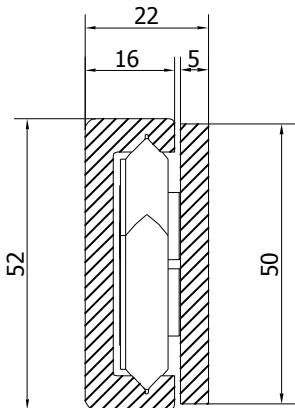
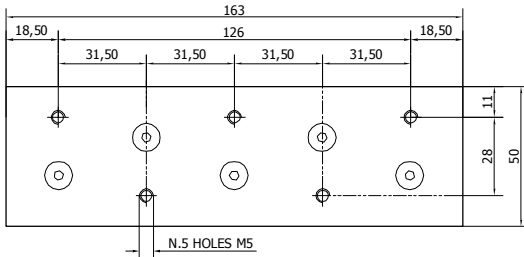
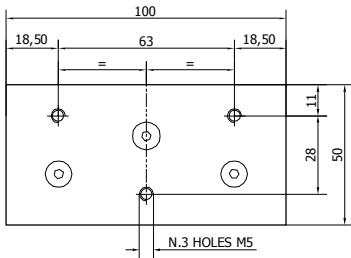


DETAIL A

SLIDERS "CL" WITH 5 BEARINGS		
STRESS	STEEL WHEEL	DELFIN WHEEL
Nz [N]	137	96
Ny [N]	183	128
Mx [Nmm]	1822	1277
My [Nmm]	4014	2813
Mz [Nmm]	2740	1920

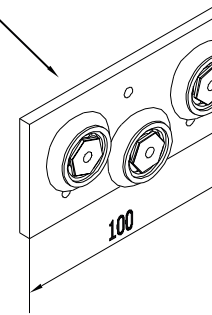
- Anodized aluminium section standard (alloy 6005a)
- Length profile upon request (Maximum 5500 mm)
- Drilling upon request
- Sliders are supplied factory fitted with a slight pre-load
- Plate different to standard upon request
- Rails are supplied undrilled as standard
- Load ratings are per carrier and can be increased accordingly

Drilling plate details



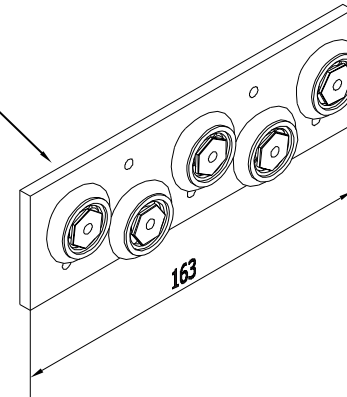
SECTION (Scale 2:1)

Aluminium slider with 3 bearings
(Max.Load 28 KG.)

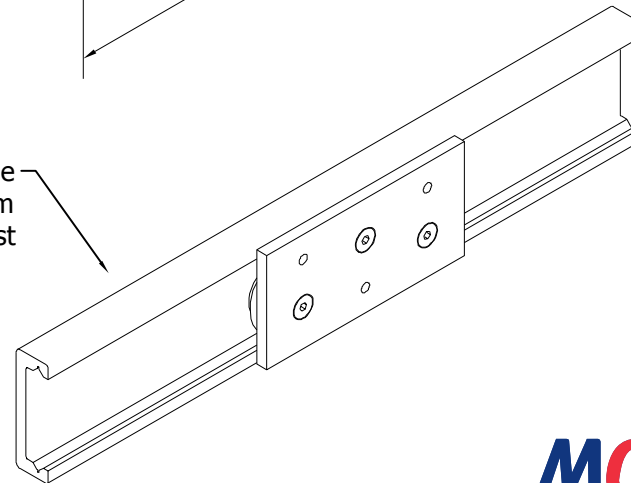


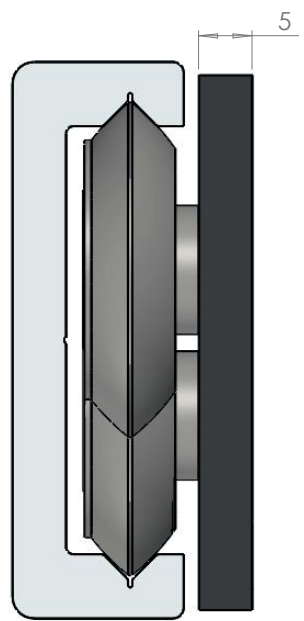
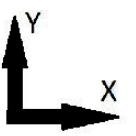
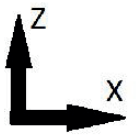
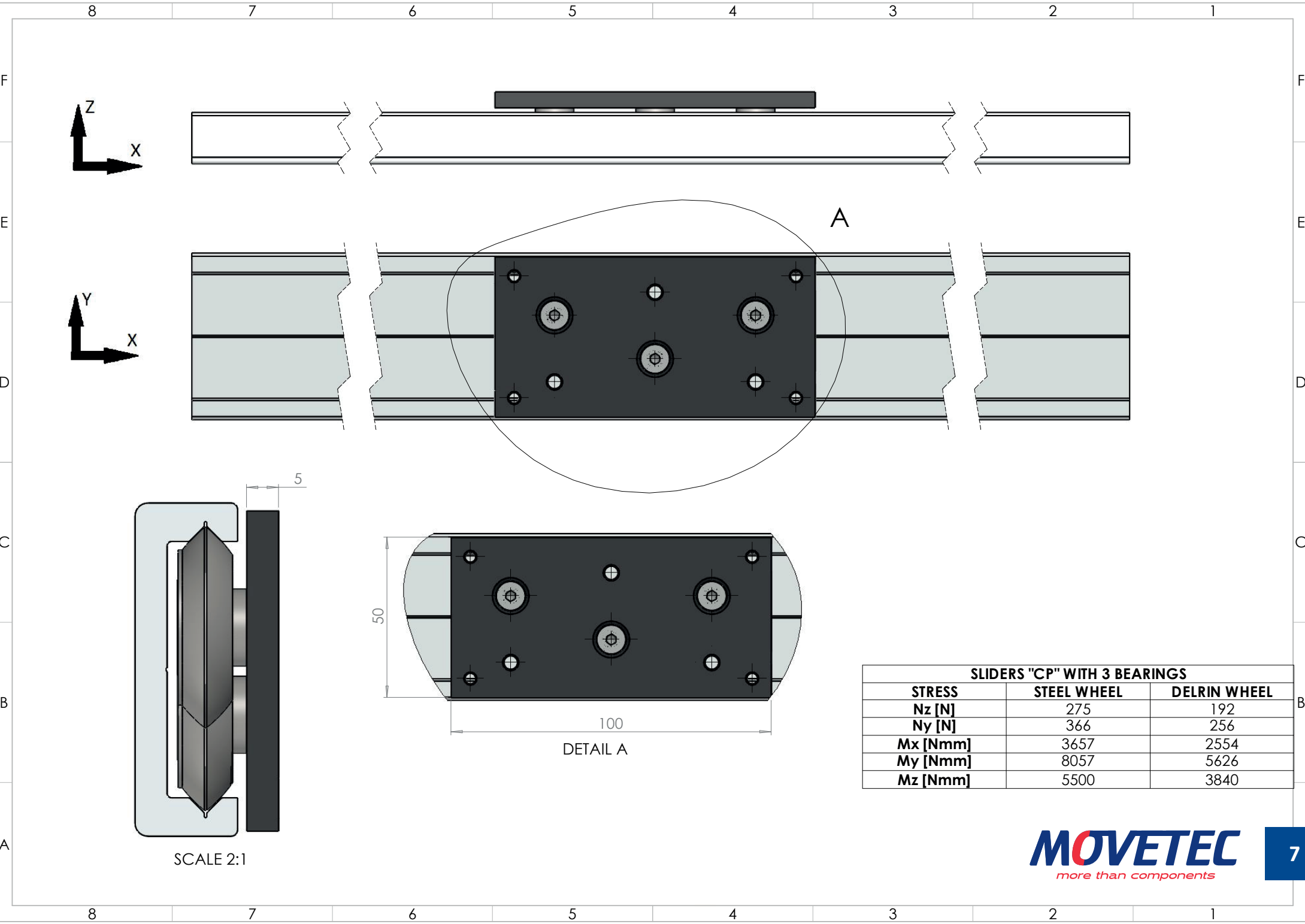
Unique plated steel bearings or optional Delrin for non-corrosion and weight reduction

Aluminium slider with 5 bearings
(Max.Load 40 KG.)

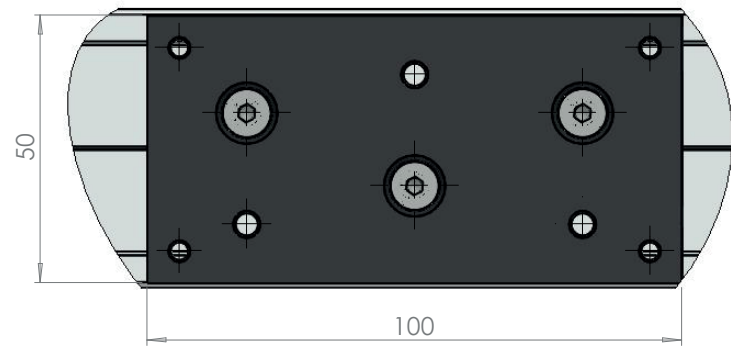


Anodized aluminium profile
Lengths & Drilling upon request Maximum 5500 mm
Drilling upon request



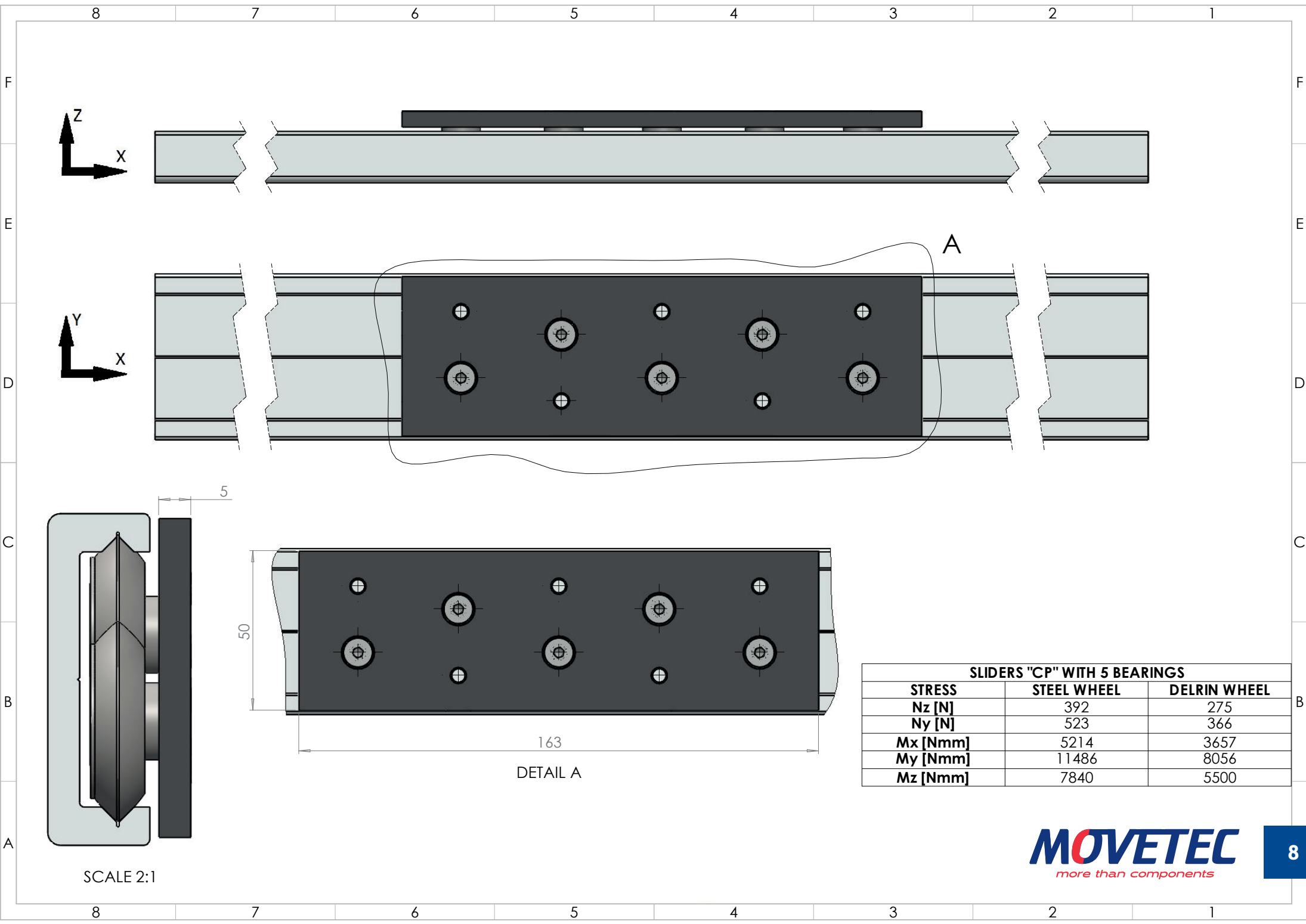


SCALE 2:1



DETAIL A

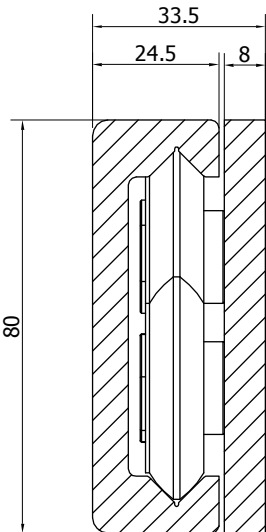
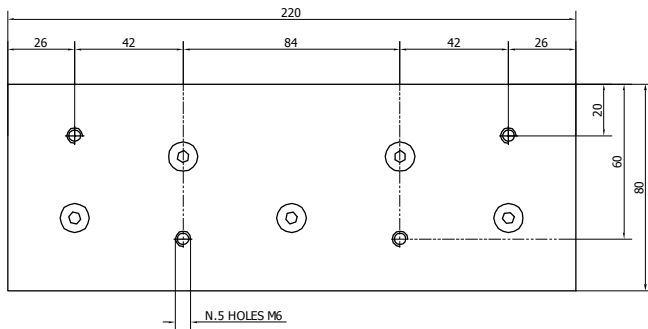
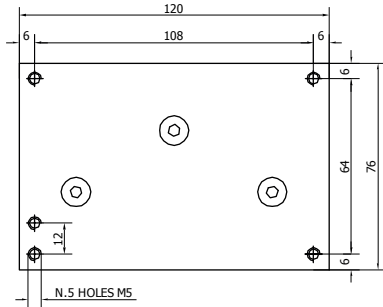
SLIDERS "CP" WITH 3 BEARINGS		
STRESS	STEEL WHEEL	DELRIN WHEEL
Nz [N]	275	192
Ny [N]	366	256
Mx [Nmm]	3657	2554
My [Nmm]	8057	5626
Mz [Nmm]	5500	3840



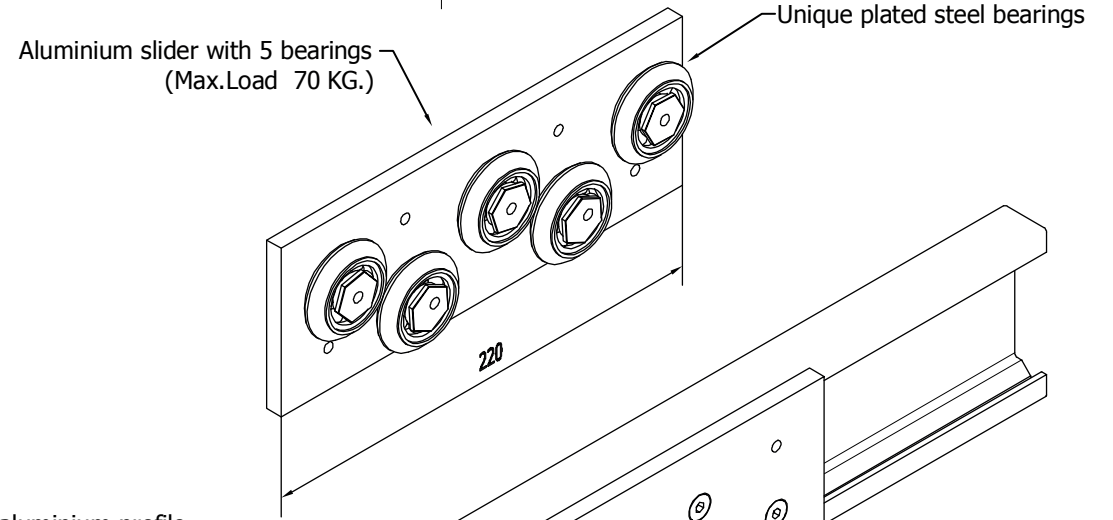
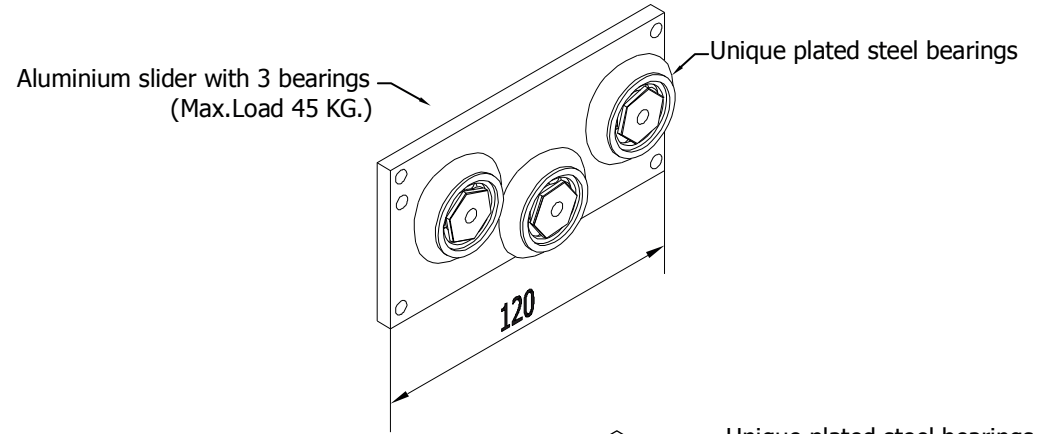
- Anodized aluminium section standard (alloy 6005a)
- Length profile upon request (Maximum 5500 mm)
- Drilling upon request
- Sliders are supplied factory fitted with a slight pre-load
- Plate different to standard upon request
- Rails are supplied undrilled as standard
- Load ratings are per carrier and can be increased accordingly

CEP

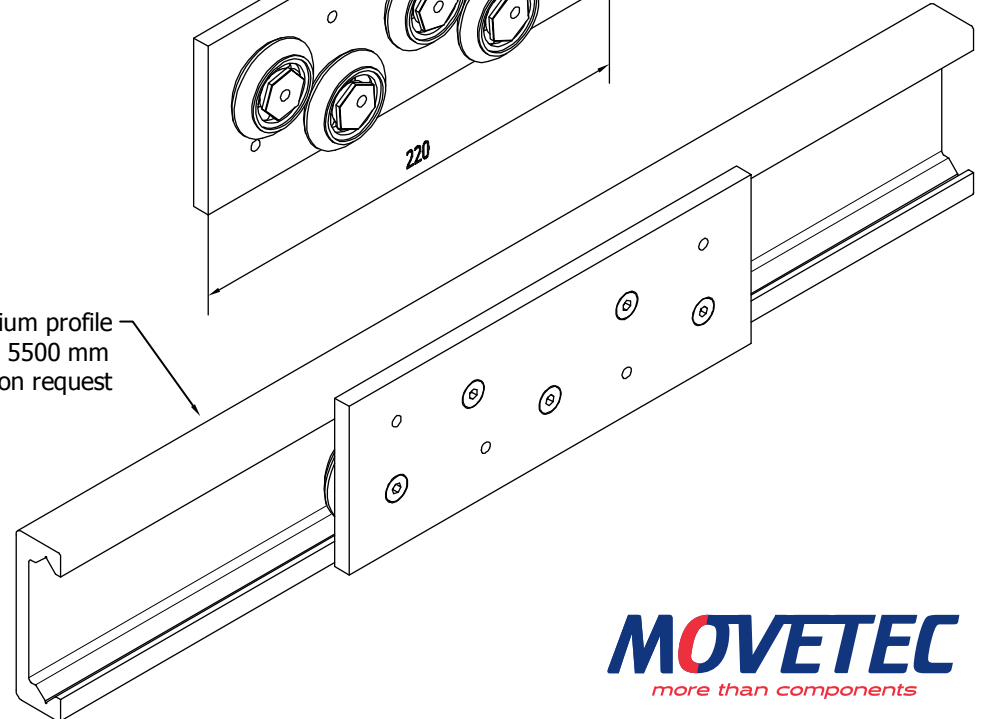
Drilling plates details

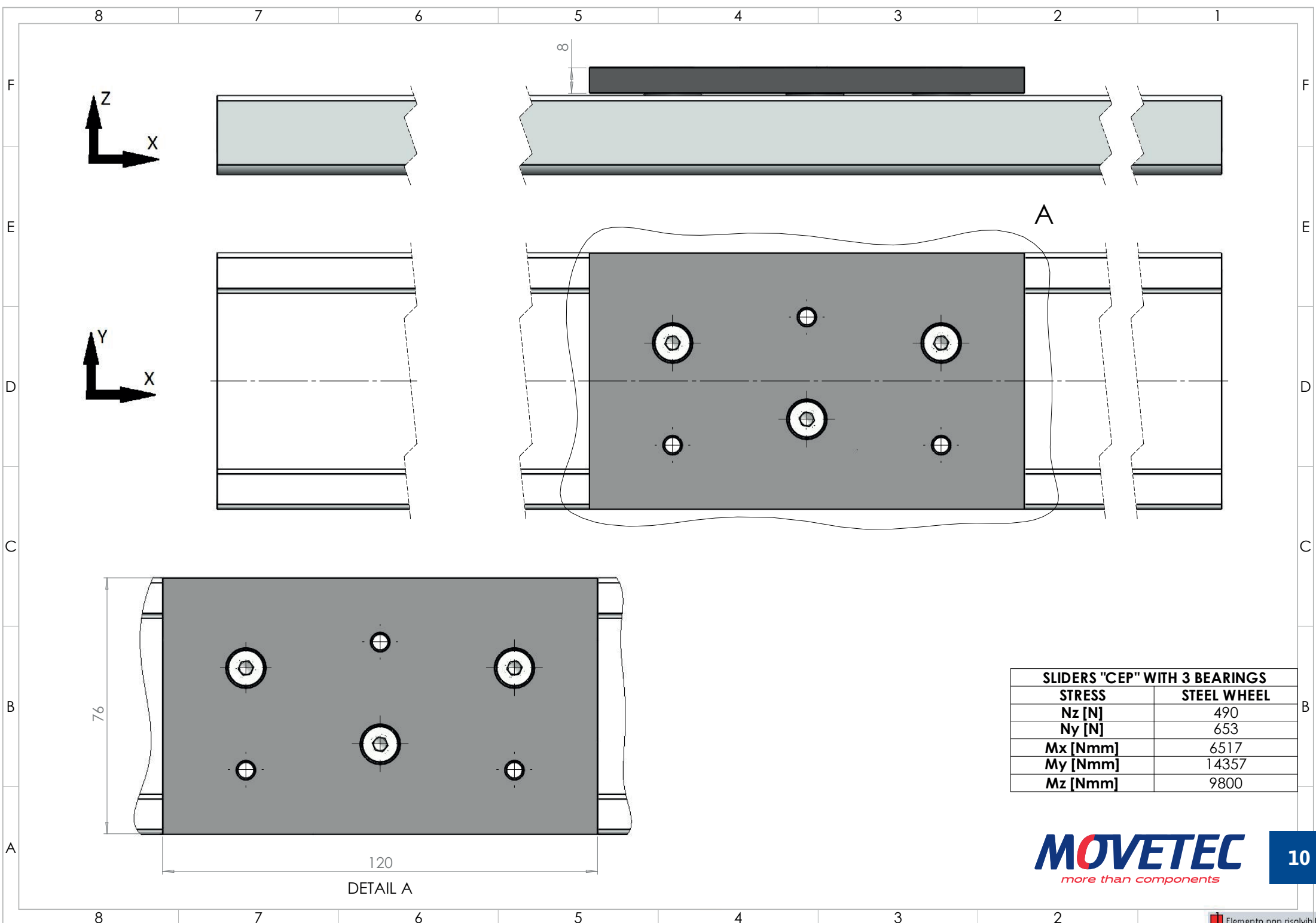


SECTION (Scale 2:1)

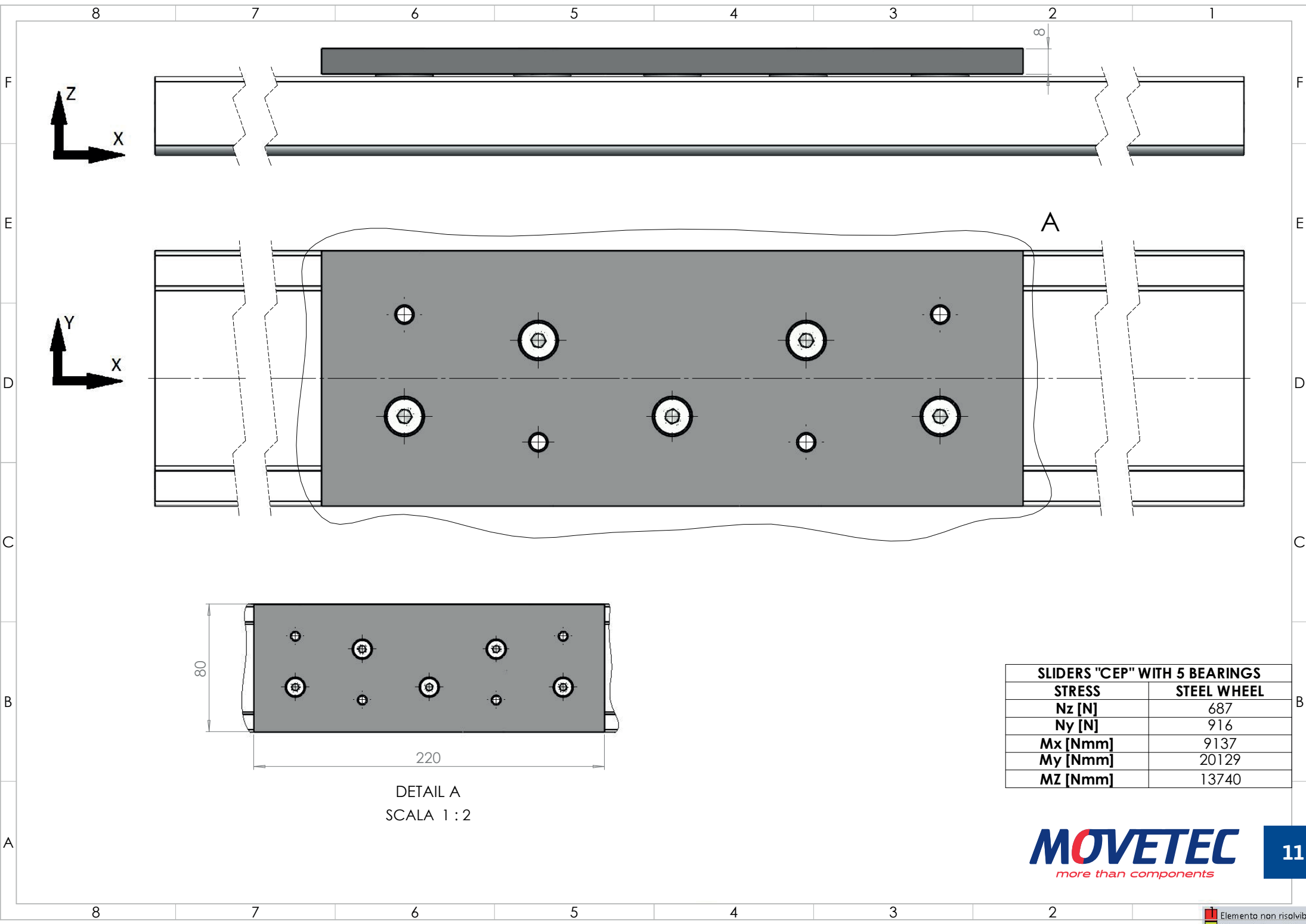


Anodized aluminium profile
Lengths & Drilling upon request Maximum 5500 mm
Drilling upon request

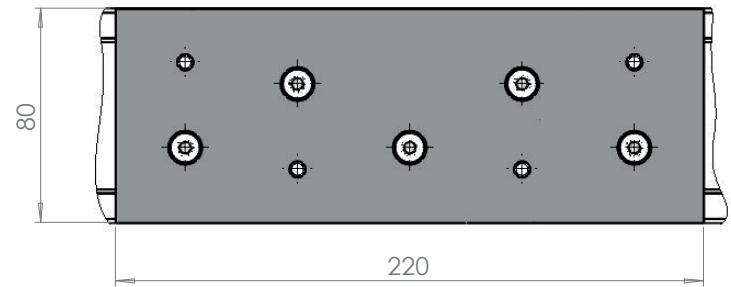




SLIDERS "CEP" WITH 3 BEARINGS	
STRESS	STEEL WHEEL
Nz [N]	490
Ny [N]	653
Mx [Nmm]	6517
My [Nmm]	14357
Mz [Nmm]	9800



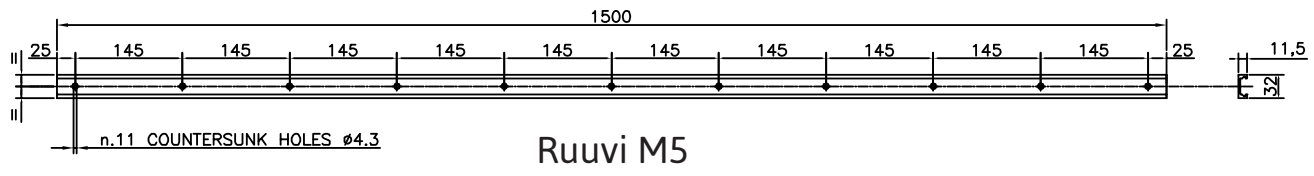
SLIDERS "CEP" WITH 5 BEARINGS	
STRESS	STEEL WHEEL
Nz [N]	687
Ny [N]	916
Mx [Nmm]	9137
My [Nmm]	20129
MZ [Nmm]	13740



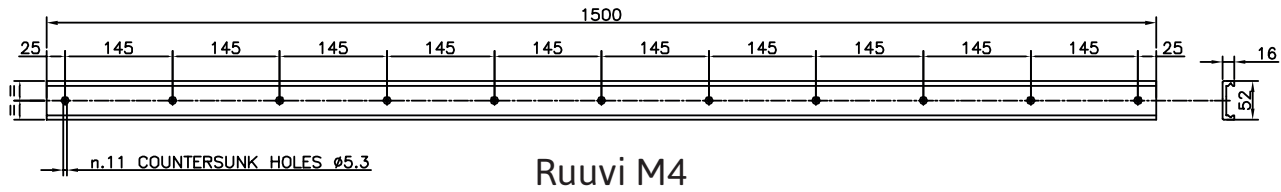
DETAIL A
SCALA 1 : 2

Johdekiskojen porausmitat

CL



CP



CEP

