

Specifications - PC25



Standard Features and Benefits

- Compact, robust and reliable
- Stroke up to 600 mm
- Load up to 1250 N
- Speed up to 1.33 m/s
- Stainless steel extension tube
- IP65 as standard
- Mounting accessories according to pneumatic ISO standard

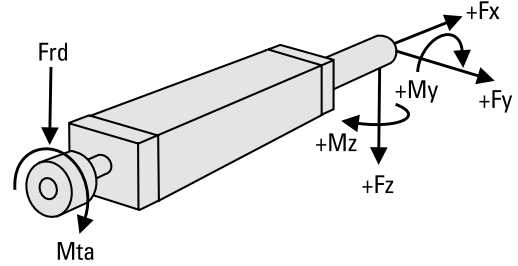
General Specifications

Parameter	PC25
Profile size (w x h) [mm]	34 x 34
Type of screw	ball screw
Protection class	IP65
Lubrication	one point lubrication of ball screw

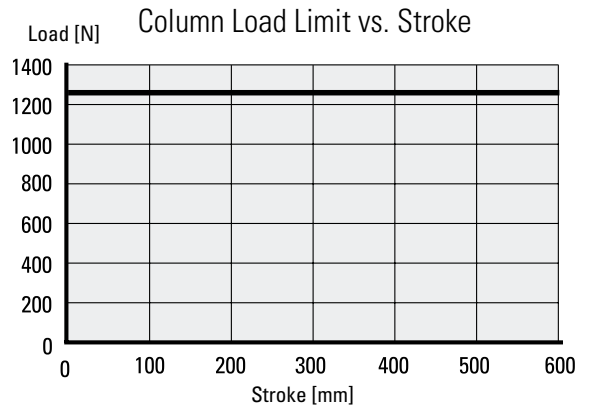
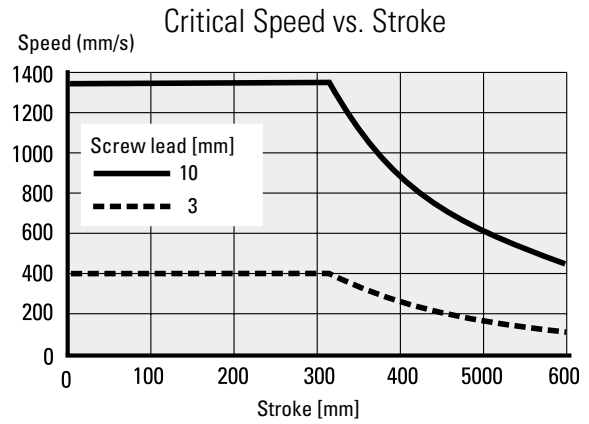
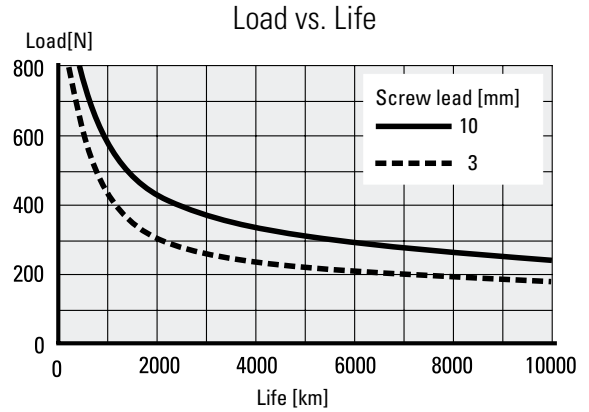
Performance Specifications

Parameter		PC25
Stroke length (S max), maximum	[mm]	600
Linear speed, maximum	[m/s]	1.33
Acceleration, maximum	[m/s ²]	10
Repeatability	[± mm]	0.01
Input speed, maximum	[rpm]	8000
Operation temperature limits	[°C]	-20 – +70
Dynamic load (F _x), maximum	[N]	1250
Dynamic load (F _y), maximum	[N]	20
Dynamic load (F _z), maximum	[N]	20
Dynamic load torque (M _z , M _y), maximum	[Nm]	10
Screw versions, diameter (d0) / lead (p)	[mm]	10/03, 10/10
Drive shaft force (F _{rd}), maximum	[N]	100
Input torque, maximum (RediMount models)	[Nm]	2.3
Drive shaft torque (M _{ta}), maximum	[Nm]	4.0

Definition of Forces

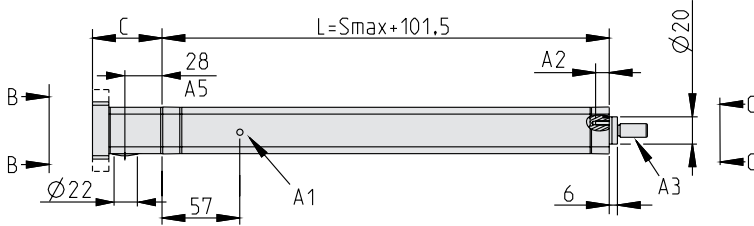


Performance Diagrams



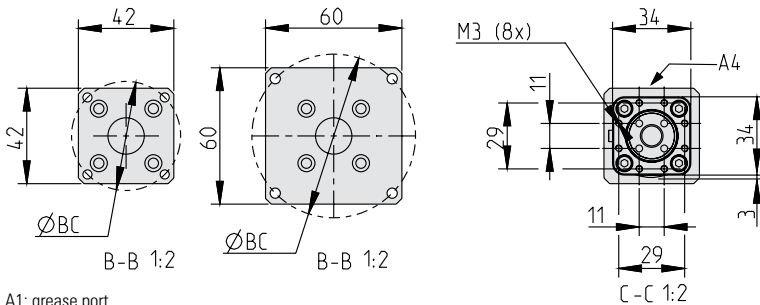
Dimensions - PC25

Dimensions for Inline Style with RediMount Flange



Flange A

Flange B



- A1: grease port
- A2: M3 thread, max. depth 10 mm.
- A3: male threaded rod end shown, see ordering key and accessories for information on all available ends.
- A4: side of cover tube for mounting of sensors.
- A5: distance to center of coupling tightening hole.

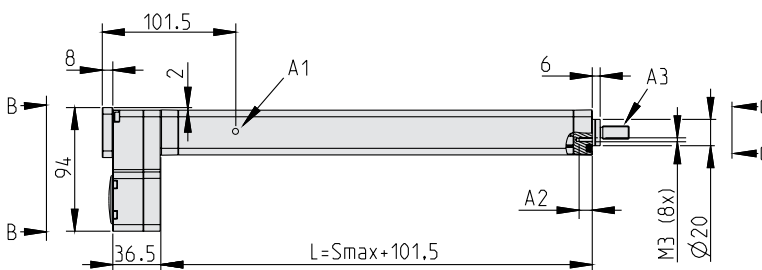
Dimensions	Projection
METRIC	

Bell House Length (C)	
Motor shaft length [mm]	C [mm]
19 - 24	52
24 - 29	57
29 - 34	62
34 - 39	67

RediMount Flange Motor Dimensions Compatibility		
Motor data	Flange A [mm]	Flange B [mm]
Bolt circle diameter (BC)	43.8 - 48	48 - 72
Shaft diameter	5 - 11	
Shaft length	19 - 39	
Pilot diameter	16 - 36	16 - 54
Pilot length	max. 4	

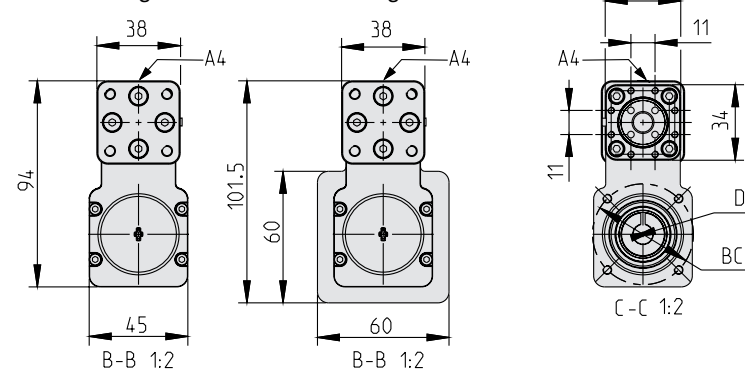
Weight of Unit [kg]
0.543 + (S [mm] × 0.0021)

Dimensions for Parallel Style with RediMount Motor Flange



Flange C

Flange D



- A1: grease port
- A2: M3 thread, max. depth 10 mm.
- A3: male threaded rod end shown, see ordering key and accessories for information on all available ends.
- A4: side of cover tube for mounting of sensors.

Dimensions	Projection
METRIC	

RediMount Flange Motor Dimensions Compatibility		
Motor data	Flange C [mm]	Flange D [mm]
Bolt circle diameter (BC)	25 - 51	51 - 72
Shaft diameter	5 - 10	
Shaft length	13 - 35	
Pilot diameter	16 - 39	16 - 54
Pilot length	max. 4	
Motor square/diameter	max. 66.5	

Weight of Unit [kg]
0.778 + (S [mm] × 0.0021)