

螺帽支座
Nut Bracket

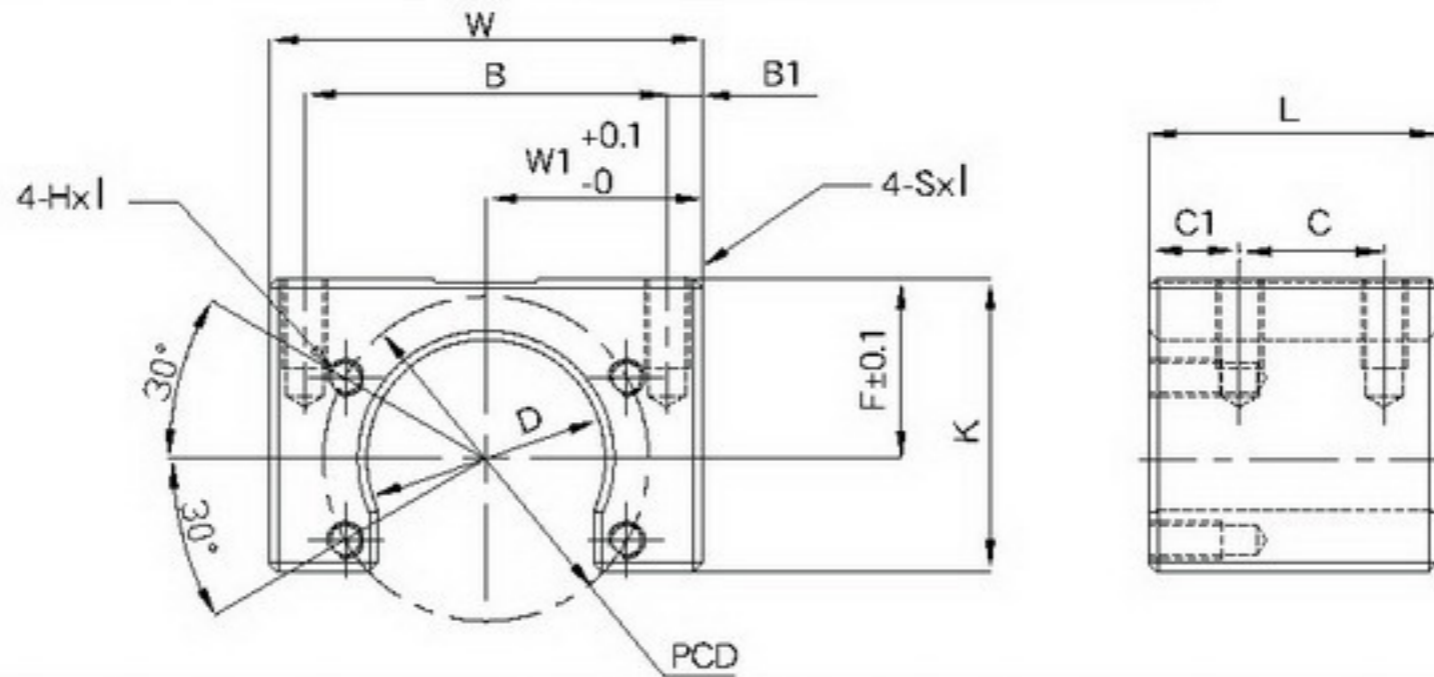


MC



MGD

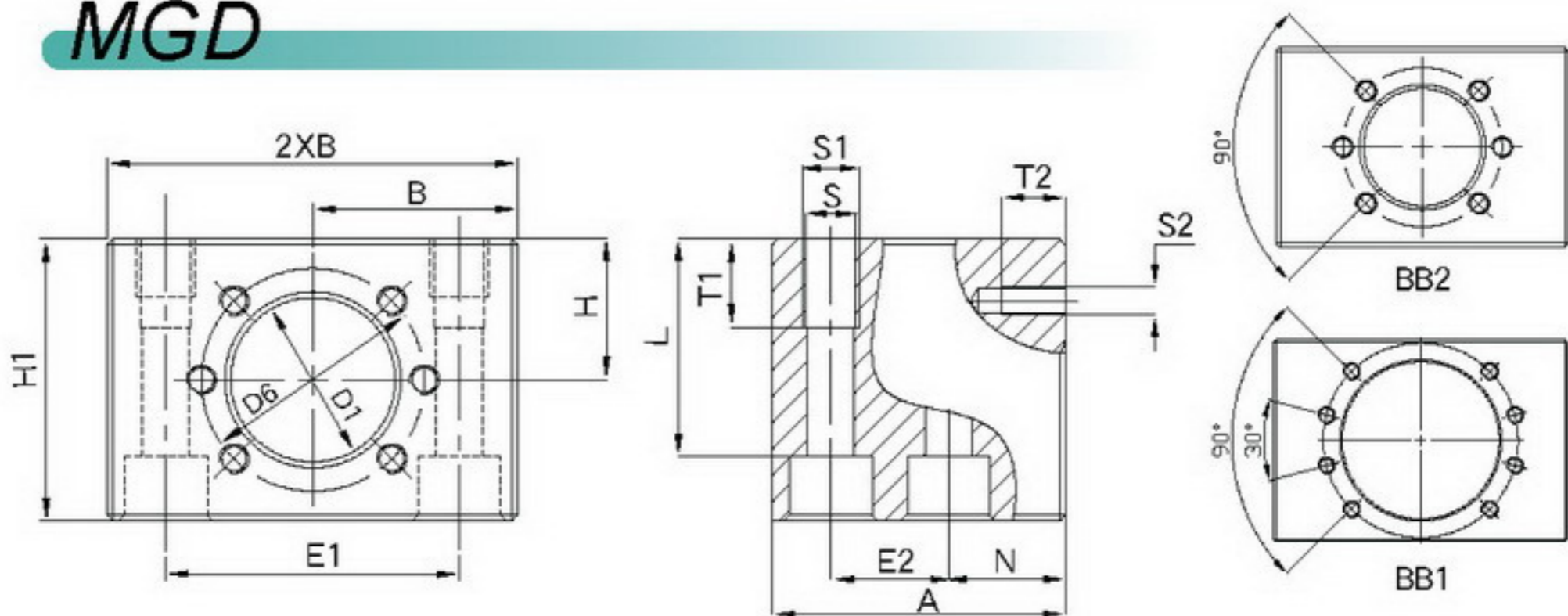
MC



單位/Unit : mm

型號 Model No.	寬度 Width W	W1	B	B1	全長 Overall Length L	C	C1	F	K	D	PCD	SxI	HxI	FA標採用 滾珠螺桿適用型號 For factory automation equipment Supported Ball Screw models	重量 Weight (Kgs)
MC 1004	48	24	40	4	32	16	10	20	32.5	26.4	36	M5×0.7×7	M4×0.7×7	BNK1004・BNK1005	0.24
MC 1205	60	30	47	6.5	36	24	6	21	37	30.4	40	M6×12	M4×0.7×7	BNK1205	0.38
MC 1408	60	30	50	5	36	20	10	21.5	37	34.4	45	M6×12	M5×0.8×7	BNK1408・BNK1510 BNK1520・BNK1616	0.34
MC 2010	86	43	70	8	50	30	10	31	54	46.4	59	M10×20	M6×10	BNK2010	1.04
MC 2020	86	43	70	8	40	24	8	28	51	39.4	59	M10×20	M6×10	BNK2020	0.83

MGD



單位/Unit : mm

型號 Model No.	Size d ₁ ×P	Part number	D1±0.1	D6	A	B±0.1	H±0.1	H1	E1	E2	N	S	S1	T1	S2	T2	ISO4762	L	重量 Weight (Kgs)	
MGD 16	16×5 16×16	1506-0-0050	28.4	38	50	35	24	48	50±0.1	20±0.1	20	8.4	M10	15	M5	10	BB2	M8	37	0.91
MGD 20	20×5 20×20	1506-1-0050	36.4	47	55	37.5	28	56	55±0.1	23±0.1	22	8.4	M10	15	M6	11	BB2	M8	45	1.18
MGD 25	25×5 25×25	1506-2-0050	40.4	51	55	40	30	60	60±0.1	23±0.1	22	8.4	M10	15	M6	11	BB2	M8	49	1.33
MGD32S	32×5 32×10	1506-3-0050	50.4	65	70	50	35	70	70±0.1	45±0.1	12.5	14	M12	20	M8	14	BB2	M12	52	2.77
MGD 32	32×20 32×32								75±0.1	30±0.1	27									
MGD 40	40×5 40×12 40×16 40×20	1506-4-0050	63.4	78	80	60	42	84	90±0.1	35±0.1	31	15	M18	25	M8	17	BB1	M14	66	3.61