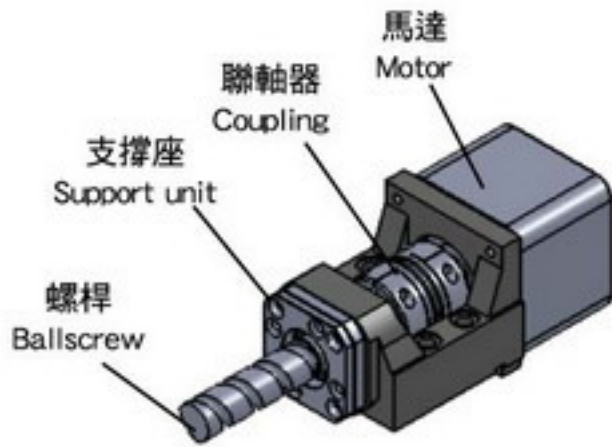
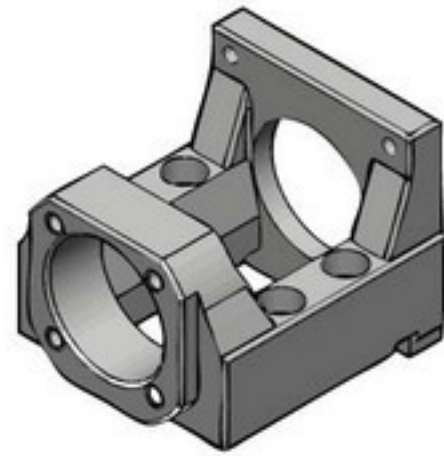
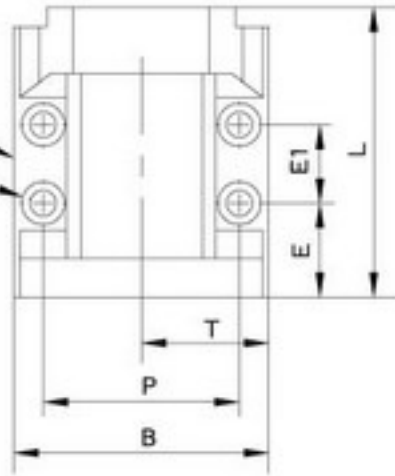


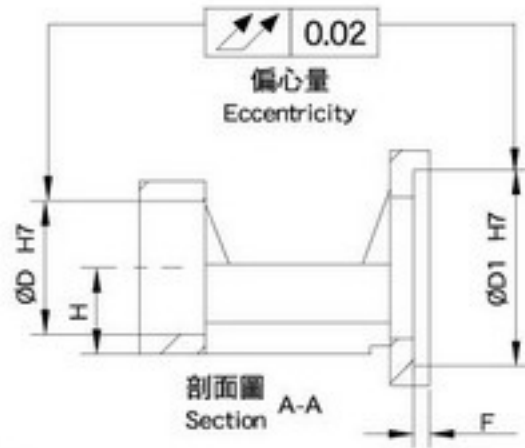
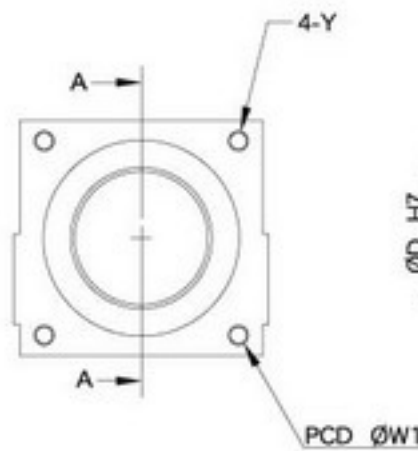
MBL(低窄軌型)傳動座 Motor Bracket MBL (Low Narrow Type)

校正面 Alignment

4-ØS鑽穿 沉頭ØQ
4-ØS drill ØQ counter bore depth



組裝示意圖
Assembly Way



單位/Unit : mm

傳動座尺寸 Dimensions of Motor Bracket

型號 Model No	傳動座尺寸 Dimensions of Motor Bracket														支撐座 Support unit
	D1	W1	Y	D	L	H ±0.02	B	P	T	S	Q	E	E1	F	
MBL6/8-A	30	45	M3	28	61	15.5	52	41	26	5.5	9.5	19	20	4	FKA06 FKA08
MBL6/8-B		46	M4												
MBL10/12-A	30	45	M3	36	74	20	65	50	32.5	6.6	11	24	20	4	FKA10 FKA12
MBL10/12-B		46	M4												
MBL10/12-C	38.1	66.7	M4	40	92	22	70	55	35	8.5	14	29	28	4	FKA15
MBL10/12-D	50	70	M5												
MBL10/12-DP			M4												
MBL15-C	38.1	66.7	M4	40	92	22	70	55	35	8.5	14	29	28	4	FKA15
MBL15-D	50	70	M5												
MBL15-DP			M4												
MBL15-F	73	98.4	M6	57	113	30	88	70	44	8.5	14	29	42	6	FKA20
MBL15-E	70	90	M5												
MBL15-EP			M5												
MBL20-D	50	70	M5	57	113	30	88	70	44	8.5	14	29	42	4	FKA20
MBL20-DP			M4												
MBL20-F	73	98.4	M6	57	113	30	88	70	44	8.5	14	29	42	6	FKA20
MBL20-E	70	90	M5												
MBL20-EP			M5												

備註(Note) :

1. 可選擇剛性聯軸器
(Apply to rigid coupling also)
2. 使用支撐座FKA20型號時, 可選用負荷較大之B角度軸承
(Can choose B angle bearings when use support unit with FKA20)