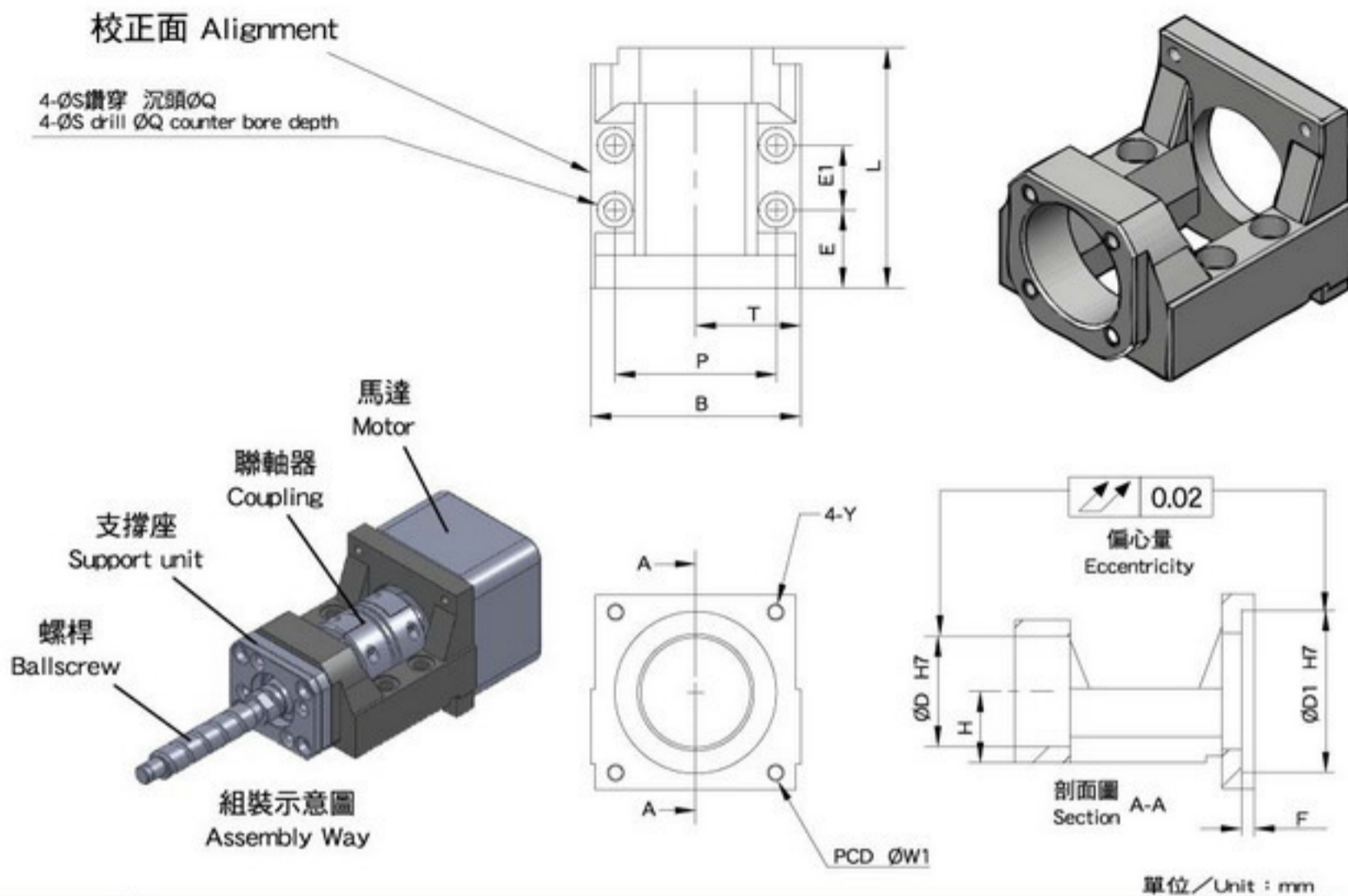


MBA(窄軌型)傳動座 Motor Bracket MBA (Narrow Type)



型號 Model No	傳動座尺寸 Dimensions of Motor Bracket														支撐座 Support unit
	D1	W1	Y	D	L	H ±0.02	B	P	T	S	Q	E	E1	F	
MBA6/8-A	30	45	M3	28	61	17	52	41	26	5.5	9.5	19	20	4	FKA06 FKA08
MBA6/8-B		46	M4												
MBA10-A	30	45	M3	34	74	22	65	50	32.5	6.6	11	24	20	4	FK10
MBA10-B		46	M4												
MBA10-C	38.1	66.7													
MBA10-D	50	70	M5												
MBA10-DP			M4												
MBA12-A	30	45	M3	36	92	25	70	55	35	8.5	14	29	28	4	FK12
MBA12-B		46	M4												
MBA12-C	38.1	66.7													
MBA12-D	50	70	M5												
MBA12-DP			M4												
MBA15-C	38.1	66.7	M4	40	113	28	88	70	44	8.5	14	29	28	4	FK15
MBA15-D	50	70	M5												
MBA15-DP					M4										
MBA15-F	73	98.4	M6												
MBA15-E	70	90	M6												
MBA15-EP			M5												
MBA20-D	50	70	M5												
MBA20-DP			M4												
MBA20-F	73	98.4	M6	57	113	34	88	70	44	8.5	14	29	42	4	FKA20
MBA20-E	70	90	M5												
MBA20-EP					M5										

備註(Note) :

1. 可選擇剛性聯軸器
(Apply to rigid coupling also)
2. 使用支撐座FKA20型號時, 可選用負荷較大之B角度軸承
(Can choose B angle bearings when use support unit with FKA20)