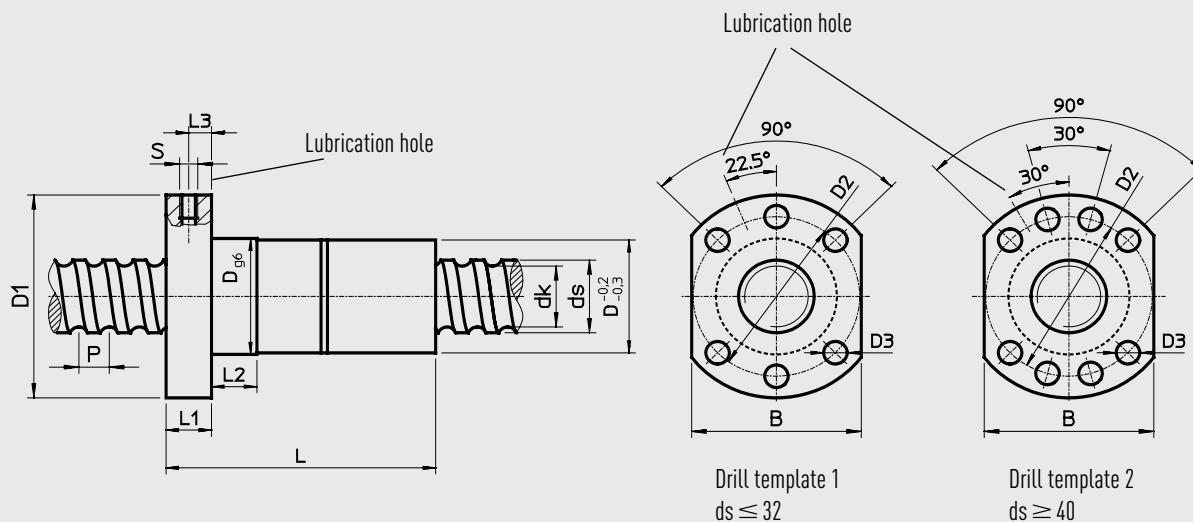


2.4 DIN Double Nuts DDB (DIN 69051 Part 5)



| Article number | ds | P | Dg6 | D1 | D2 | D3 | L | L1 | L2 | L3 | S | B | dk | Dyn. load C _{dyn} [N] | Stat. load C ₀ [N] | Mass [kg/pc.] |
|----------------|----|----|-----|-----|-----|------|-----|----|----|----|------|-----|------|-----------------------------------|----------------------------------|------------------|
| DDB1605-R-3EF | 16 | 5 | 28 | 48 | 38 | 5,5 | 80 | 10 | 10 | 5 | M6 | 40 | 13,5 | 9600 | 12700 | 0,25 |
| DDB2005-R-4EF | 20 | 5 | 36 | 58 | 47 | 6,6 | 82 | 10 | 10 | 5 | M6 | 44 | 17,5 | 13900 | 21800 | 0,42 |
| DDB2505-R-4EF | 25 | 5 | 40 | 62 | 51 | 6,6 | 95 | 10 | 10 | 5 | M6 | 48 | 22,5 | 15600 | 27900 | 0,52 |
| DDB2510-R-3EF | 25 | 10 | 40 | 62 | 51 | 6,6 | 115 | 10 | 16 | 5 | M6 | 48 | 21 | 24100 | 36200 | 0,57 |
| DDB3205-R-5EF | 32 | 5 | 50 | 80 | 65 | 9 | 95 | 12 | 10 | 6 | M6 | 62 | 29,5 | 20700 | 43900 | 0,97 |
| DDB3210-R-3EF | 32 | 10 | 50 | 80 | 65 | 9 | 138 | 14 | 16 | 7 | M6 | 62 | 27,8 | 40900 | 63200 | 1,01 |
| DDB3220-R-2EB | 32 | 20 | 50 | 80 | 65 | 9 | 138 | 14 | 16 | 7 | M6 | 62 | 27,8 | 20300 | 26800 | 1,01 |
| DDB4005-R-5EF | 40 | 5 | 63 | 93 | 78 | 9 | 109 | 14 | 10 | 7 | M8x1 | 70 | 37,5 | 22500 | 54600 | 1,55 |
| DDB4010-R-4EF | 40 | 10 | 63 | 93 | 78 | 9 | 150 | 14 | 16 | 7 | M8x1 | 70 | 35,8 | 46800 | 82600 | 2,13 |
| DDB4020-R-2EB | 40 | 20 | 63 | 93 | 78 | 9 | 150 | 14 | 16 | 7 | M8x1 | 70 | 35,8 | 23800 | 36400 | 1,8 |
| DDB5005-R-5EF | 50 | 5 | 75 | 110 | 93 | 11 | 112 | 16 | 10 | 8 | M8x1 | 85 | 47,5 | 24900 | 69800 | 2,16 |
| DDB5010-R-4EF | 50 | 10 | 75 | 110 | 93 | 11 | 164 | 16 | 16 | 8 | M8x1 | 85 | 45,8 | 52800 | 106800 | 2,5 |
| DDB5020-R-3EB | 50 | 20 | 75 | 110 | 93 | 11 | 196 | 16 | 16 | 8 | M8x1 | 85 | 45,8 | 40000 | 76200 | 4,34 |
| DDB6310-R-6EF | 63 | 10 | 90 | 125 | 108 | 11 | 205 | 18 | 16 | 9 | M8x1 | 95 | 58,8 | 84700 | 210800 | 4,34 |
| DDB6320-R-4EP | 63 | 20 | 95 | 135 | 115 | 13,5 | 270 | 20 | 25 | 10 | M8x1 | 100 | 55,4 | 105000 | 250000 | 6,95 |
| DDB8010-R-6EF | 80 | 10 | 105 | 145 | 125 | 13,5 | 205 | 20 | 16 | 10 | M8x1 | 110 | 75,8 | 93400 | 269200 | 4,71 |
| DDB8020-R-4EP | 80 | 20 | 125 | 165 | 145 | 13,5 | 280 | 25 | 25 | 12 | M8x1 | 130 | 72,4 | 135000 | 322000 | 13,8 |

- DIN nut for rolled ballscrews
- Mating dimensions to DIN 69051 Part 5
- Nuts with dust wipers
- Flange end double nuts (DDB)
- Precision ground ball grooves
- For nut housing see page 41