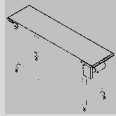


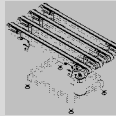
# 4



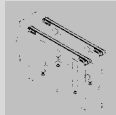
**478** 4.1 BELT CONVEYORS



**487** 4.2 ROLLER CONVEYORS



**492** 4.3 TIMING BELT CONVEYORS



**495** 4.4 CLEAN ROOM CONVEYORS



**497** 4.5 CONVEYOR 48



**501** 4.6 COMPONENTS



**528** 4.7 TRANSFER SYSTEM TSG



**545** 4.8 SEGMENTED CHAIN CONVEYOR GKF



**549** 4.9 FLEXIBLE ASSEMBLY LINES FMS



**552** 4.10 ROLLER CONVEYORS RMS

**CONVEYORS**  
CONVEYORS

## BELT CONVEYORS

### EXAMPLES



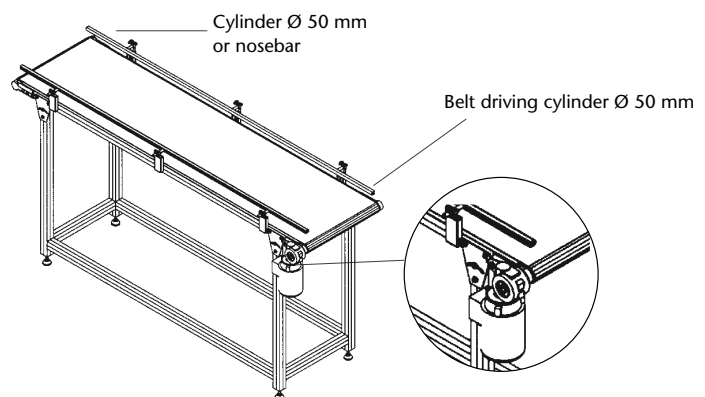
## BELT CONVEYORS

## SERIES 45

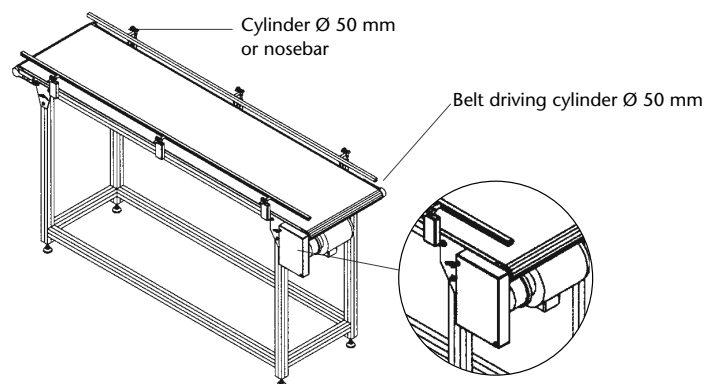
The belt conveyor module in our MiniTec ICAD assembler construction software designs your belt conveyor automatically based on your requirements. Furthermore it calculates the deflection, suggests the number of supports and generates the parts list, all within a few minutes. Assembly can be completed quickly and easily as a result of our proven components.

## Motor arrangement

## Plug-on motor

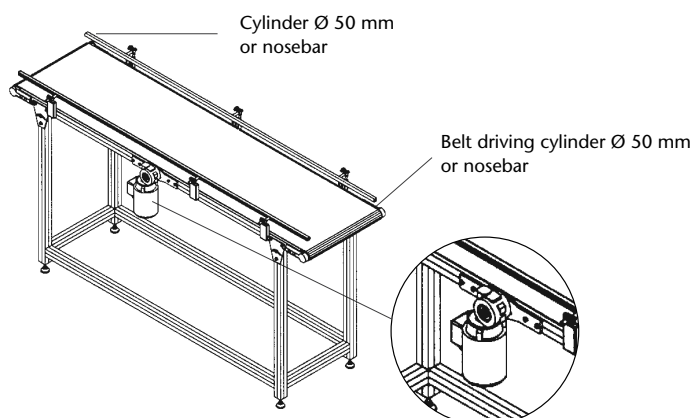


## Covered flanged motor



## Center drive (Direct drive)

- Belt width max. 300 mm with nosebar
- Belt width max. 800 mm with cylinder Ø 50

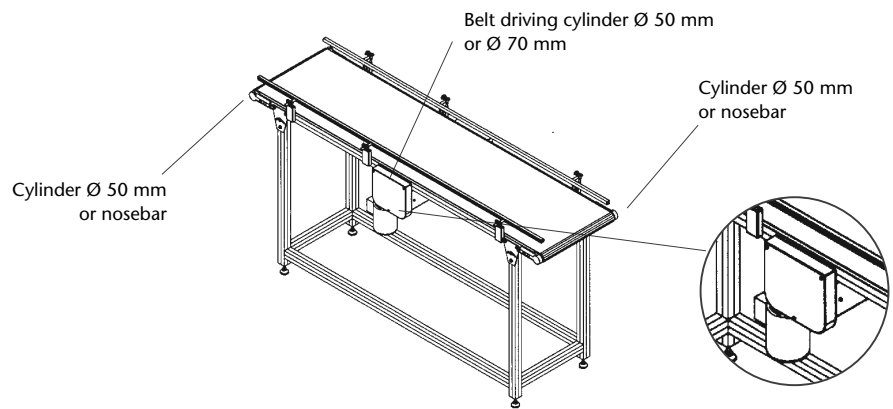


## BELT CONVEYORS

### SERIES 45

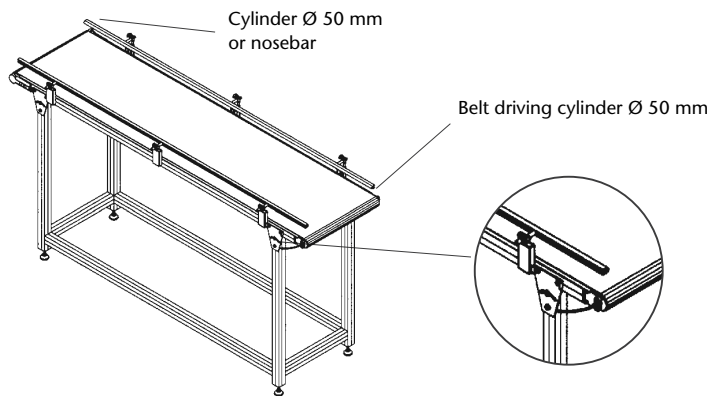
#### Center drive (Direct drive)

- Belt width max. 800 mm

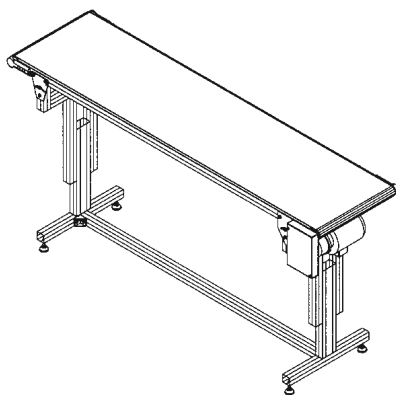


#### Cylinder motor

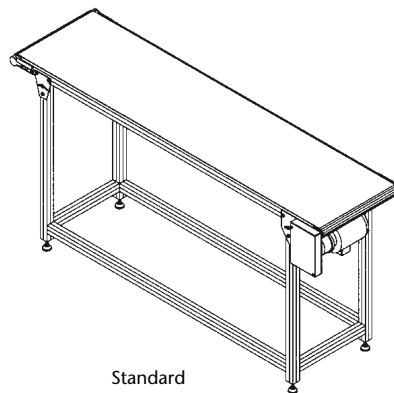
- Belt width min. 260 mm
- Belt width max. 500 mm
- max. length 2000 mm
- max. load 20 kg



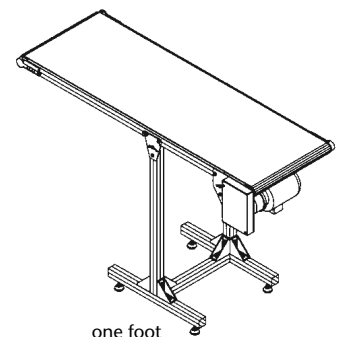
#### Subconstructions



Height adjustable



Standard



one foot

## BELT CONVEYORS

### REQUEST STANDARD BELT CONVEYOR 45

#### Standard dimensions

Axial distance  mm  
 Belt width L  mm

#### Operating conditions

Goods to be conveyed   
 Unit weight  kg  
 Total belt load  kg  
 Temperature of goods  °C

#### Subconstruction

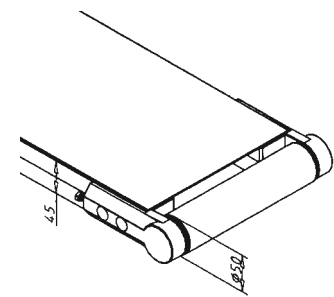
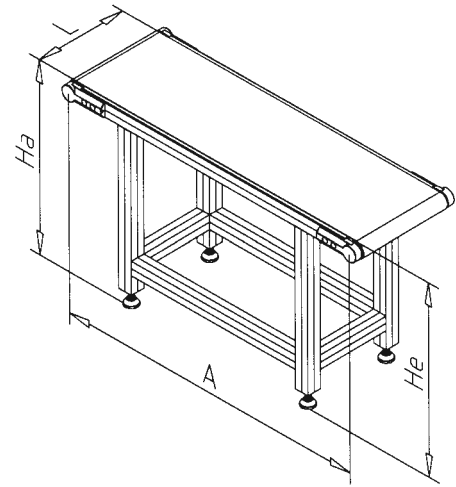
Inlet height  $H_e$   mm  
 Discharge height  $H_a$   mm  
 Number of supports  Pcs.  
 Supports high adjustable from  mm to  mm  
 Lateral guide  one side  two sides  short  long  
 Angle bracket for floor fastening  part no. 21.1112/0  
 Floor anchor 12  part no. 21.1115/0  
 Wheels  part no.   
 Feet  part no.

#### Options

Belt  part no.   
 Supporting sheet  Aluminium  Inox

#### Drive

Motor arrangement  Plug-on motor  Flanged motor  
 Cylinder motor  Centerd drive (Direct drive)  
 Center drive 3-Wheels-System  
 Speed  m/min.  
 Speed adjustable from  m/min. to  m/min.



#### Contact details

Company   Please call me back  
 Contact person   Please send me an offer  
 Phone no.   
 Fax no.   
 E-Mail

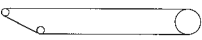
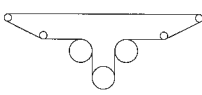
## BELT CONVEYORS

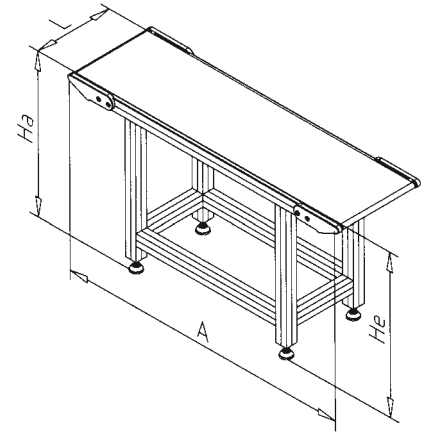
### REQUEST NOSEBAR CONVEYOR

#### Standard dimensions

Axial distance  mm  
 Belt width L  mm (max. 300 mm)

#### Type with nosebar

Goods to be conveyed   
 Unit weight  kg   one side  
 Total belt load  kg   both sides  
 Temperature of goods  °C



#### Subconstruction

Inlet height He  mm  
 Discharge height Ha  mm  
 Number of supports  Pcs.  
 Supports high adjustable from  mm to  mm  
 Lateral guide  one side  both sides  short  long  
 Angle bracket for floor fastening  part no. 21.1112/0  
 Floor anchor 12  part no. 21.1115/0  
 Wheels  part no.   
 Feet  part no.

#### Options

Belt  Part no.   
 Supporting sheet  Aluminium  Inox

#### Drive

	NOSEBAR (ONE SIDE)	NOSEBAR (TWO SIDES)
Motor arrangement	<input type="checkbox"/> Plug-on motor	<input type="checkbox"/> Flanged motor
	<input type="checkbox"/> Cylinder motor	<input type="checkbox"/> Center drive 3-Wheels-System
	<input type="checkbox"/> Center drive (Direct drive)	
Speed	<input type="text"/> m/min.	
Speed adjustable from	<input type="text"/> m/min. to <input type="text"/> m/min.	

#### Contact details

Company   Please call me back  
 Contact person   Please send me an offer  
 Phone no.   
 Fax no.   
 E-Mail

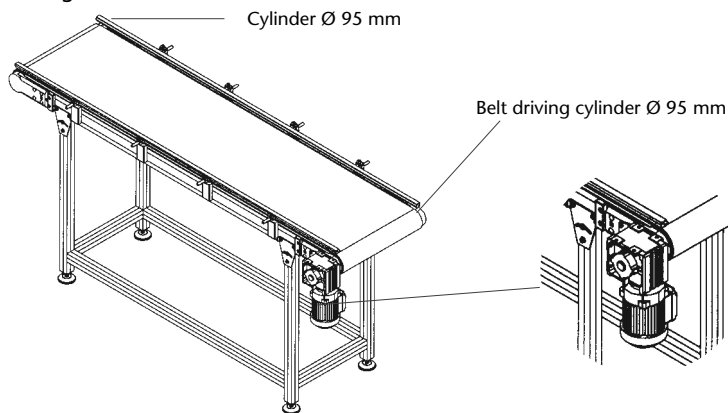
## BELT CONVEYORS

### BELT CONVEYOR – SERIES 90

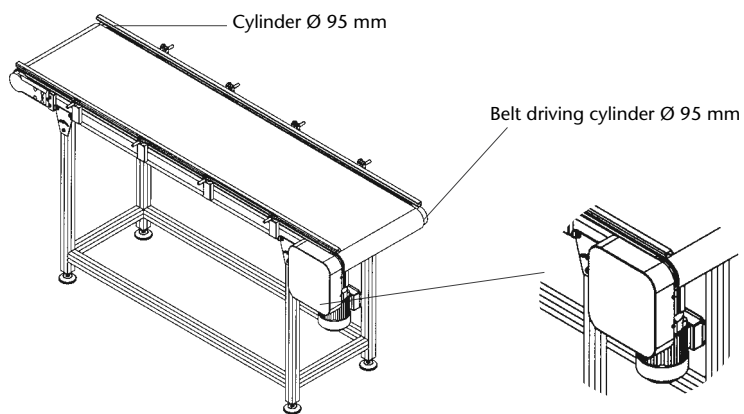
The belt conveyor module in our MiniTec ICADassembler construction software designs your belt conveyor automatically based on your requirements. Furthermore it calculates the deflection, suggests the number of supports and generates the parts list, all within a few minutes. Assembly can be completed quickly and easily as a result of our proven components.

#### Motor arrangement

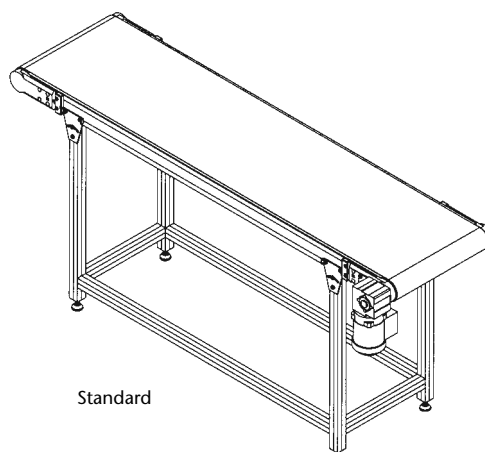
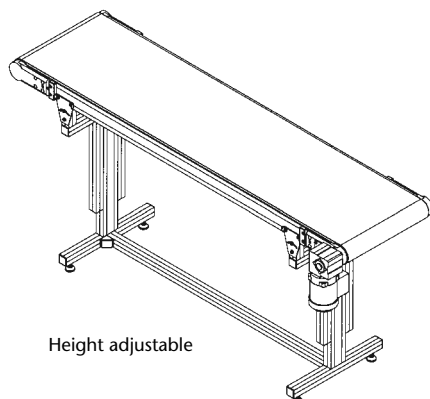
##### Plug-on motor



##### Flanged motor



#### Subconstruction



## BELT CONVEYORS

### REQUEST STANDARD BELT CONVEYOR 90

#### Standard dimensions

Axial distance  mm  
 Belt width L  mm

#### Operating conditions

Goods to be conveyed   
 Unit weight  kg  
 Total belt load  kg  
 Temperature Goods  °C

#### Subconstruction

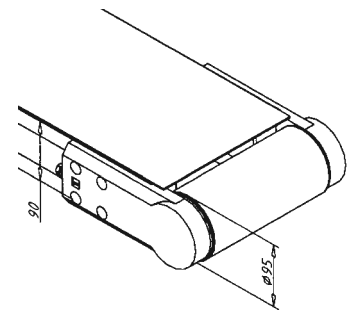
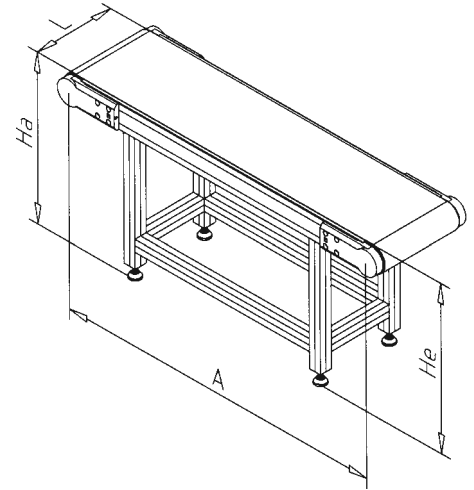
Inlet height  $H_e$   mm  
 Discharge height  $H_a$   mm  
 Number of supports  Pcs.  
 Supports height adjustable from  mm to  mm  
 Lateral guide  one side  two sides  short  long  
 Angle bracket for floor fastening  Part no. 21.1112/0  
 Floor anchor 12  Part no. 21.1115/0  
 Wheels  Part no.   
 Feet  Part no.

#### Options

Belt  Part no.   
 Supporting sheet  Aluminium  Inox

#### Drive

Motor arrangement  Plug-on motor  Flanged motor  
 Speed  m/min.  
 Speed adjustable from  m/min. to  m/min.



#### Contact details

Company   Please call me back  
 Contact person   Please send me an offer  
 Phone no.   
 Fax no.   
 E-Mail

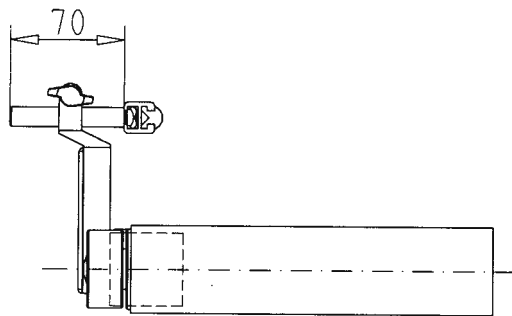


## BELT CONVEYORS

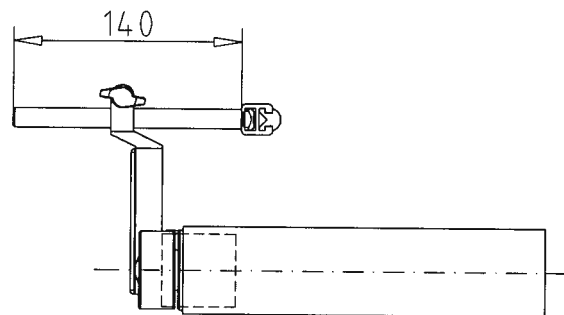
## LATERAL GUIDE

## CONVEYOR 45 AND 90

SHORT



LONG

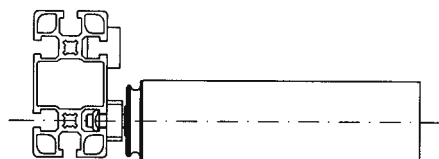


## ROLLER CONVEYOR WITHOUT DRIVE

LOW



HIGH



## BELT CONVEYORS

### BELTS

#### BELTS

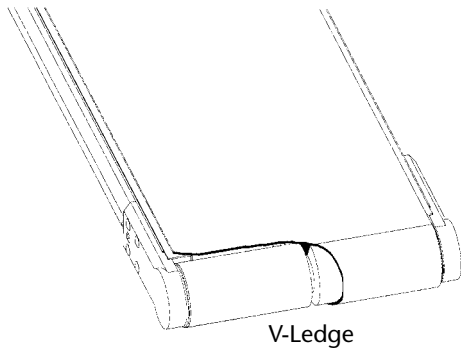
BELT	PART NO.
PVC, black, smooth, antistatic	29.5019/1
PVC, green, grip, antistatic	29.5019/2
PVC, green, checks, adhesive, antistatic	29.5019/3
PVC, green, smooth, antistatic	29.5019/4
PU, blue, smooth	29.5019/5
PU, white, smooth, antistatic	29.5019/6
PVC, white, smooth, antistatic	29.5019/7
PU, green, smooth, antistatic	29.5019/8
Mesh, white, antistatic	29.5019/9
Special belts on request	29.5019/0

#### Calculation of endless length EL

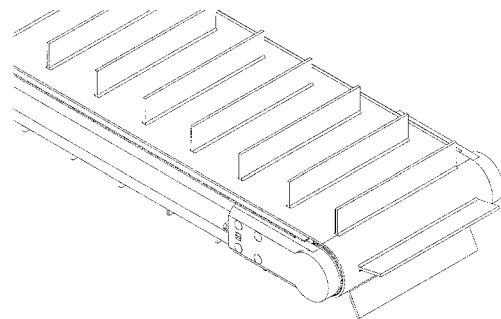
For cylinder 45:  $EL = 2 \times A + 165 \text{ mm}$

For cylinder 90:  $EL = 2 \times A + 305 \text{ mm}$

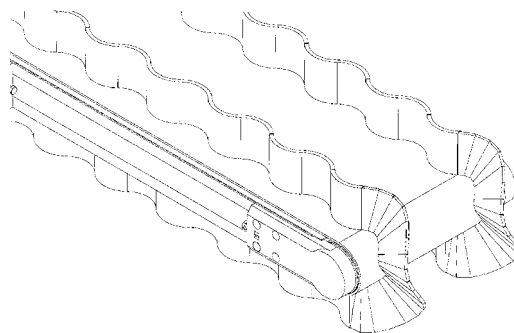
#### EXAMPLES FOR SPECIAL BELTS



V-Ledge



Welded on cams



Corrugated edge

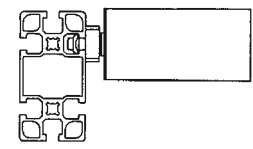
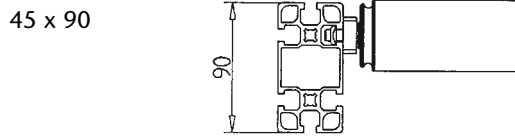
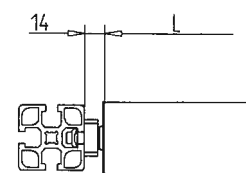
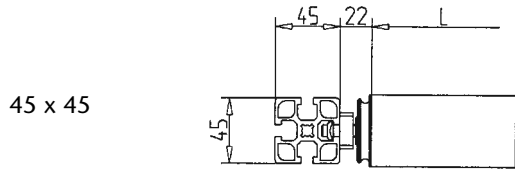
ROLLER CONVEYOR

ROLLER CONVEYOR WITHOUT DRIVE

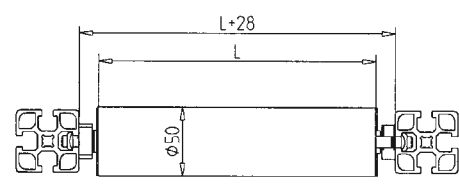
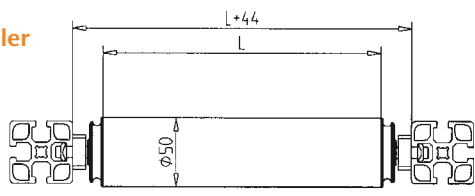
Transport roller with slide bearing

Transport roller S with roller bearing

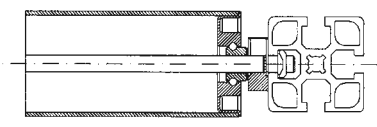
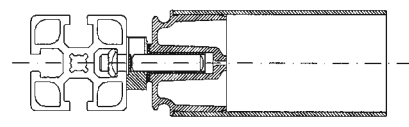
Profile



Transport roller



Bearing



Tube length

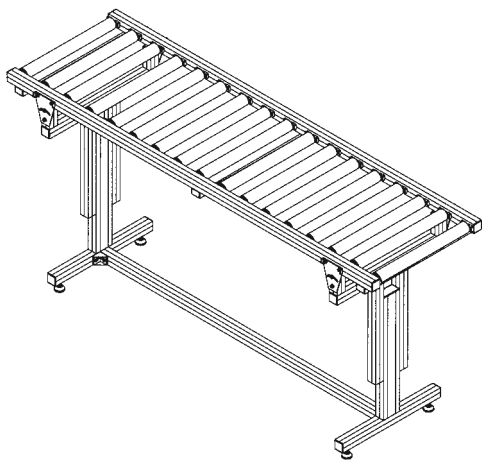
max. Tube length L	PVC tube	600 mm
	AL tube	1000 mm
	Steel tube	1000 mm

## ROLLER CONVEYOR

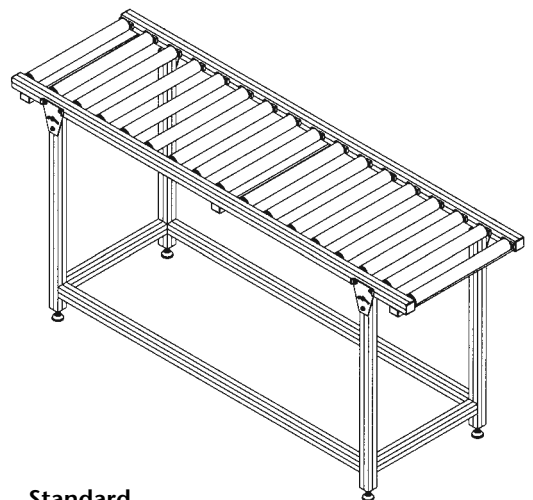
### ROLLER CONVEYOR WITHOUT DRIVE



#### Subconstruction



Height adjustable



Standard

## ROLLER CONVEYOR

### REQUEST ROLLER CONVEYOR WITHOUT DRIVE

#### Standard dimensions

Axial distance A  mm  
 Roller distance  mm  
 Roller width L  mm  
 Profile  45 x 45  45 x 90

#### Operating conditions

Goods to be conveyed   
 Unit weight  kg  
 Total load  kg  
 Temperature goods  °C

#### Subconstruction

Inlet height He  mm  
 Discharge height Ha  mm  
 Distance A  mm  
 Number of supports  Pcs.  
 Supports height adjustable from  mm to  mm

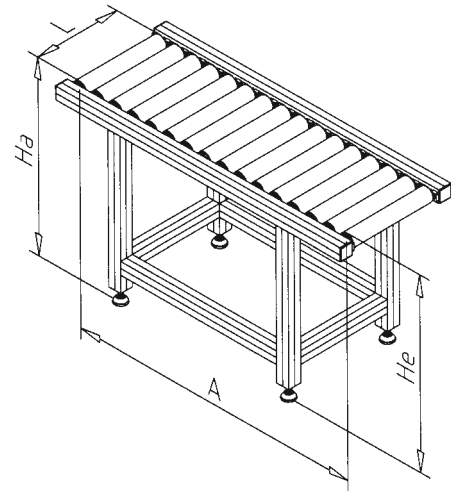
Lateral guide  one side  both sides  
 Lateral guide 45 x 45  without  low  variable

Lateral guide 45 x 90  without  high  variable

Angle bracket for floor fastening  part no. 21.1112/0  
 Floor anchor 12  part no. 21.1115/0  
 Wheels  part no.   
 Feet  part no.

#### Options

Roller material  PVC  AL  Steel  
 Bearing  Slide bearing  Roller bearing



#### Contact details

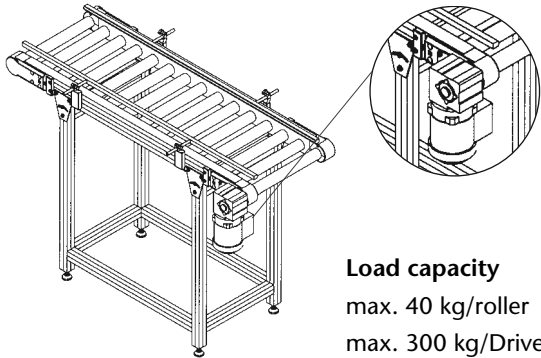
Company   Please call me back  
 Contact person   Please send me an offer  
 Phone no.   
 Fax no.   
 E-Mail

## ROLLER CONVEYOR

### ROLLER CONVEYOR WITH DRIVE

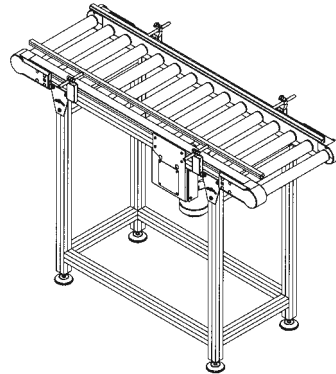
#### Motor arrangement

##### Plug-on motor

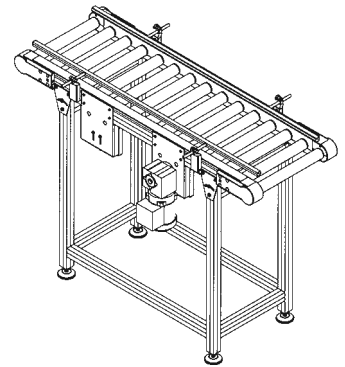


**Load capacity**  
 max. 40 kg/roller  
 max. 300 kg/Drive

##### Motor inside



##### Motor outside, chain tensioner



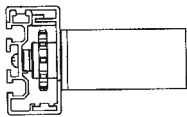
#### Tube length

max. Tube length L	PVC-Tube	600 mm
	AL-Tube	1000 mm
	Steel-Tube	1000 mm

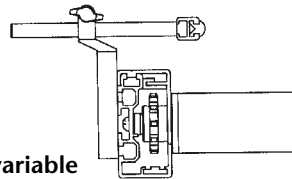
#### Available roller types

fixed drive  
 friction drive  
 friction drive, adjustable

#### Lateral guide

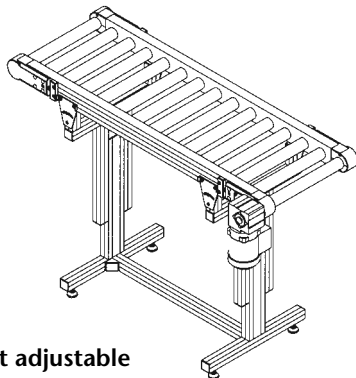


without

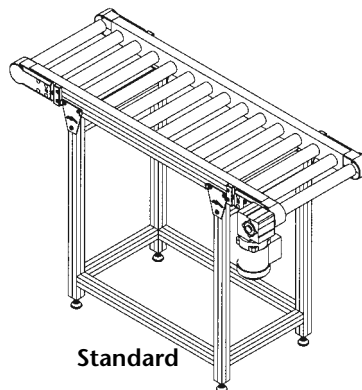


variable

#### Subconstruction



Height adjustable



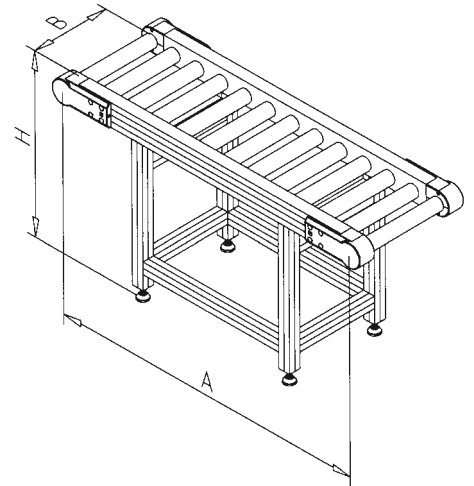
Standard

## ROLLER CONVEYOR

## REQUEST ROLLER CONVEYOR WITH DRIVE

## Standard dimensions

Axial distance A  mm  
 Roller distance  mm  
 Roller width L  mm  
 Profile  one side  both sides



## Operating conditions

Goods to be conveyed   
 Unit weight  kg  
 Total load  kg  
 Temperature (Goods)  °C

## Subconstruction

Height H  mm  
 Distance A  mm  
 Number of supports  Pcs.  
 Supports height adjustable from  mm to  mm  
 Lateral guide  one side  both sides  lang  
 Angle bracket for floor fastening  Part no. 21.1112/0  
 Floor anchor 12  Part no. 21.1115/0  
 Wheels  Part no.   
 Feet  Part no.

## Drive

Motor arrangement  Plug-on motor  with chain tensioner  
 inside  outside  
 Speed  m/min.  
 Speed adjustable from  m/min. to  m/min.

## Options

Roller material  PVC, blue  AL  Steel  VA  
 Accumulating rollers  Fixed drive  
 (Rollers with fixed drive and accumulation can be mixed)

## Contact details

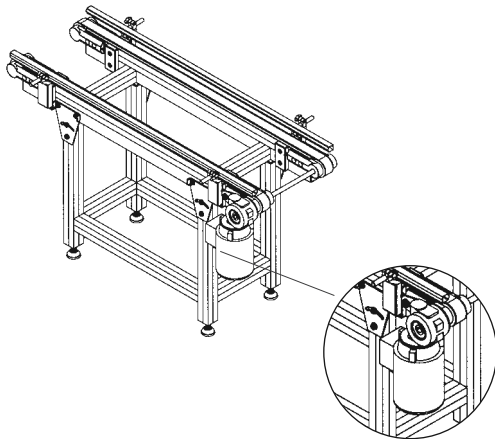
Company   Please call me back  
 Contact person   Please send me an offer  
 Phone no.   
 Fax no.   
 E-Mail

# TIMING BELT CONVEYOR

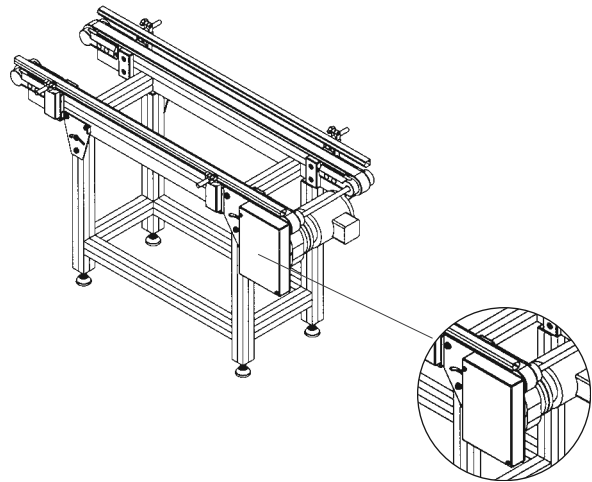
## TIMING BELT CONVEYOR 32

### Motor arrangement

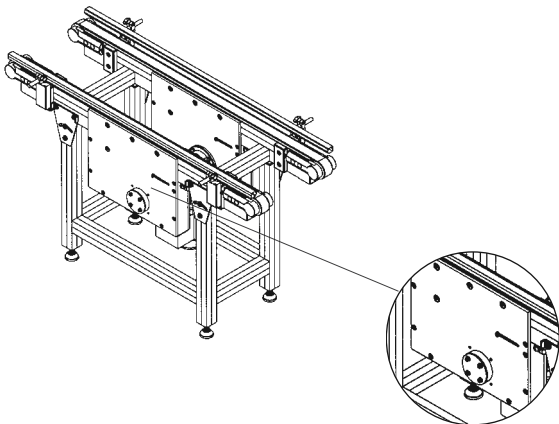
Plug-on motor



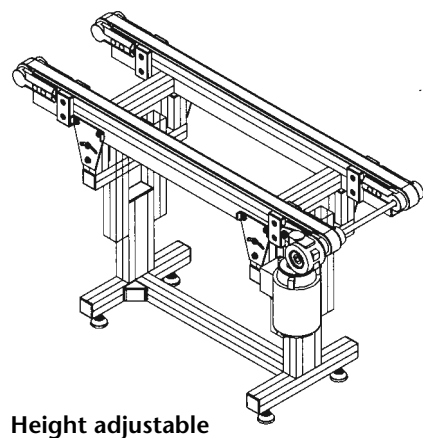
Flanged motor



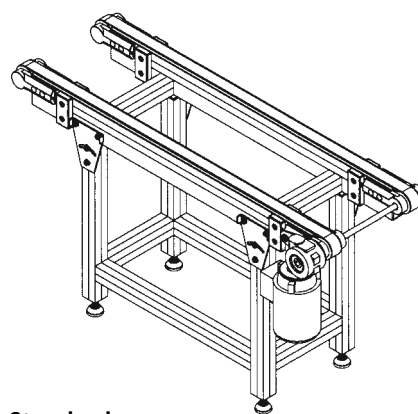
Central drive



### Subconstruction



Height adjustable



Standard

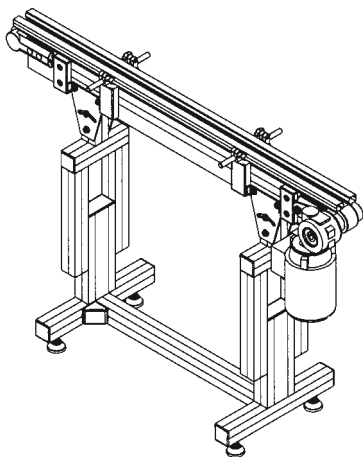


## TIMING BELT CONVEYOR

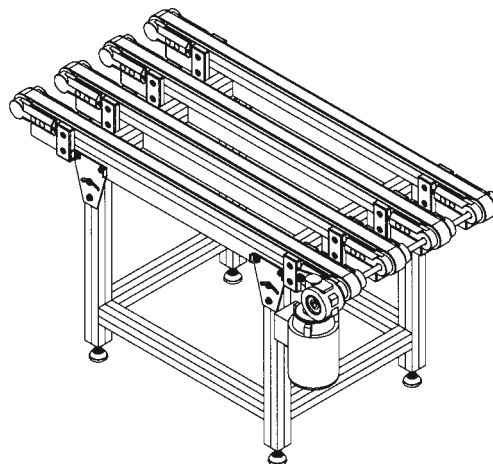
### TIMING BELT CONVEYOR 32



#### EXAMPLES FOR TIMING BELT CONVEYORS



Single lane with variable strut



Four lanes with standard strut

## TIMING BELT CONVEYOR

### REQUEST TIMING BELT CONVEYOR 32

#### Standard dimensions

Axial distance A  mm  
 External distance timing belt L  mm  
 single lane  multi-track

#### Operating conditions

Goods to be conveyed   
 Unit weight  kg  
 Total belt load  kg  
 Temperature of goods  °C

#### Subconstruction

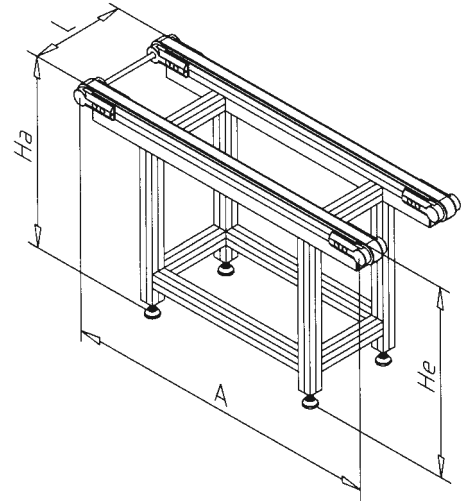
Inlet height He  mm  
 Discharge height Ha  mm  
 Distance A  mm  
 Number of supports  Pcs.  
 Supports height adjustable from  mm to  mm  
 Lateral guide  one side  both sides  long  
 Angle bracket for floor fastening  part no. 21.1112/0  
 Floor anchor 12  part no. 21.1115/0  
 Wheels  part no.   
 Feet  part no.

#### Drive

Motor arrangement  Plug-on motor  Flanged motor  Central drive  
 Speed  m/min.  
 Speed adjustable from  m/min. to  m/min.

#### Options

Special coatings for timing belt




---

#### Contact details

Company   Please call me back  
 Contact person   Please send me an offer  
 Phone no.   
 Fax no.   
 E-Mail

## CLEAN ROOM CONVEYORS

### MINITEC CLEAN ROOM CONVEYORS FOR PHOTOVOLTAICS



The versatile MiniTec conveyor technology program has been proven for many years, supplying matched solutions across all industry sectors. Building on these solutions, we have developed a clean room timing belt conveyor and had it tested by Fraunhofer IPA.

With our consistent approach to value and design, our standard timing belt conveyor technology can be used in clean rooms with DIN EN ISO 14644-1 air cleanliness classifications up to 6 with some simple changes. With recognised quality and great value, the conveyor assemblies maintain their versatility through the MiniTec modular range of profiles and components.

#### Technical Data

- Basic structure of profile 45 or 45 x 90 and 90 x 90
- Width of timing belt 32 mm or 60 mm
- Timing belt with 2 mm polyurethane coating for the transport of glass
- Clean room motor with Spiroplan gears
- Frequency converter to set the belt speed
- Axis offsets and belt width arbitrary
- Compensation for floor unevenness

#### Options

- Base frame of closed profiles
- Timing belt coating available in yellow or grey

## CLEAN ROOM CONVEYORS

### REQUEST TIMING BELT CONVEYOR CLEAN ROOM

#### Standard dimension

- Axial distance A  mm
- External distance timing belt L  mm
- Number of lanes  piece
- 32 mm (basement of profile 45)
- 60 mm (basement of profile 45x90 & 90x90)

#### Operating conditions

- Goods to be conveyed
- Unit weight  kg
- Total belt load  kg

#### Subconstruction

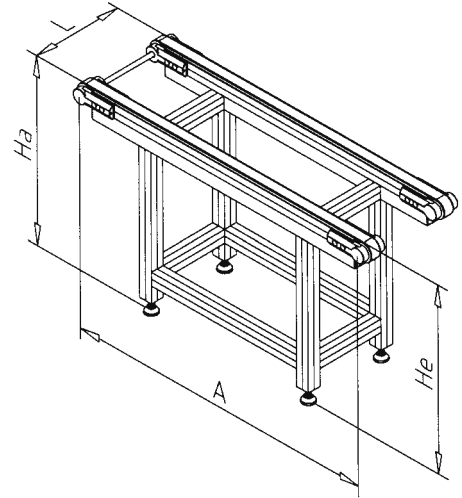
- Inlet height He  mm
- Discharge height Ha  mm
- Number of supports  Pcs.
- Angle bracket for floor fastening  part no. 21.1112/0
- Floor anchor 12  part no. 21.1115/0
- Feet  part no.

#### Options

- Colour timing belt coating  yellow  grey
- Profile closed t-slots  yes  no

#### Drive

- Motor arrangement  cleanroom motor sproplan
- Speed  m/min.
- Frequency transformer  yes  no
- Speed adjustable from  m/min. to  m/min.




---

#### Contact details

- Company   Please call me back
- Contact person   Please send me an offer
- Phone no.
- Fax no.
- E-Mail

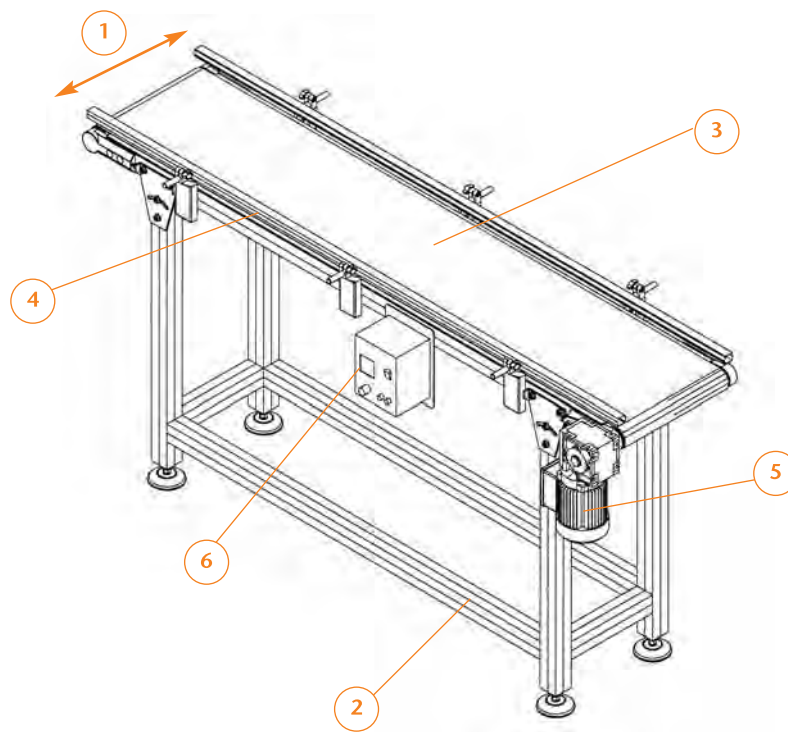
## CONVEYOR 48

### THE 48 HOURS PROGRAM

The versatile MiniTec conveyor technology program has been successfully proven for many years, supplying numerous solutions across all industry sectors. Many jobs can be solved very economically and quickly with standard conveyors.

We can deliver selected types of standard conveyors within 48 hours.

A standard design and strict production schedule provides the best value and quality of conveyors available.



#### Technical Data

- Basic construction made of profile 45x45 F
- Cylinder ø 50 mm, steel, zinc plated
- Supporting Sheet: Aluminium, anodized, 2 mm
- Plug in motors with spiropalan gearbox can be configured in various gear reductions
- Underframes in standard design or height adjustable available

#### Options

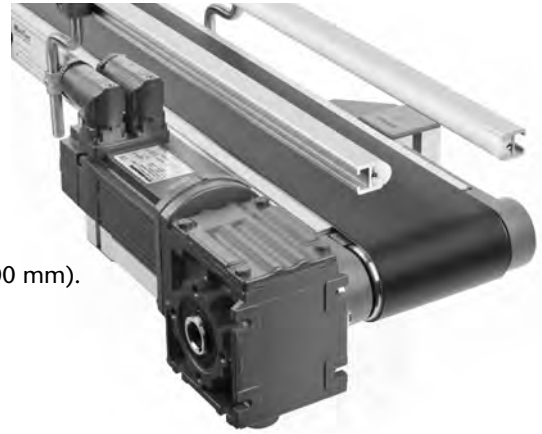
- Lateral guides with adjustable holders
- Frequency converter to set the belt speed

## CONVEYOR 48

### OPTIONS

#### 1. Basic construction

- Standard dimensions: 150 / 200 / 300 / 400 mm
- Axial distance selectable from 500 to 6000 mm



#### 2. Subconstruction

Without subconstruction or with standard or height-adjustable ( $\pm 100$  mm).

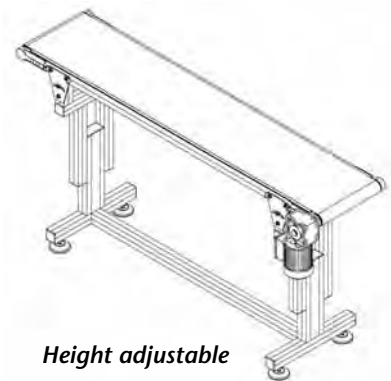
- Number of bearings: up to axial distance 2 m – 2 piece  
from axial distance 2 m – 3 piece  
per 1 m extension + 1 piece



Without



Standard

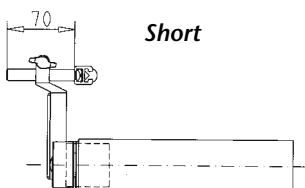


Height adjustable

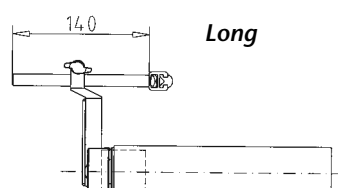
#### 3. Belts

GOODS TO BE CONVEYED	TEMPERATURE	PART NO.
PVC, black, smooth, antistatic	-10° to +90°	29.5019/1
PU, white, smooth, antistatic (Suitable for food products)	-20° to +110°	29.5019/6
PU, green, smooth, antistatic	-20° to +110°	29.5019/8
Mesh, white, antistatic	-20° to +60°	29.5019/9

#### 4. Lateral guides



Short



Long

## CONVEYOR 48

## OPTIONS

## 5. Motor arrangement

- Spiro planetary gear motor

## Motor selection table

TYPE	PART NO.	POWER [W]	OUTPUT SPEED	OUTPUT TORQUE	CONVEYING SPEED
WA10 DT56 M4 - 17	33.0015/0	90	17 Rpm	20 Nm	2,6 m/min
WA10 DT56 M4 - 22	33.0016/0	90	22 Rpm	18 Nm	3,4 m/min
WA10 DT56 M4 - 33	33.0017/0	90	33 Rpm	15 Nm	5,1 m/min
WA10 DT56 L4 - 67	33.0018/0	120	67 Rpm	13 Nm	10,5 m/min
WA10 DT56 L4 - 79	33.0019/0	120	79 Rpm	11 Nm	12,4 m/min
WA10 DT56 L4 - 127	33.0020/0	120	127 Rpm	7,7 Nm	19,9 m/min
WA10 DT56 L4 - 159	33.0021/0	120	159 Rpm	6,3 Nm	24,9 m/min

## 6. Frequency transformer FU 370 PP (Part no. 33.0126/0)

## Technical Data

- Built-in on / off switch
- Mode 1Q (without brake - Chopper)
- Powernet overvoltage and undervoltage monitoring
- motor load monitoring
- Short-circuit monitoring phase / phase, phase / earth
- Adjustable acceleration and deceleration ramp
- Adjustable voltage boost at low output frequency
- Power cord with safety plug 230 V and motor cable, ELPUR, 5m long orange safety plug, color
- EMC filter, Class B
- IP 66 / NEMA 4X enclosure
- Equipped with a control unit, which allows operating the drives without additional devices by default.
- Output power motor side max. Motor power 0.37 kW
- Rated output current max. 2.3 A
- Output voltage 3 x 0...230 V
- 150% overload for 60 seconds
- Input voltage powergrid side rated voltage 230V
- Input current 6.7 A
- Frequency 50 - 60 Hz
- General data Ambient temperature -10° C to + 40° C
- Heat loss at rated power 11 W
- Dimensions H / W / D: 232 x 161 x 179 mm





## CONVEYOR 48

### REQUEST CONVEYOR 48

#### Standard dimensions

Axial distance  mm

Belt width L  150 mm  200 mm  
 300 mm  400 mm

#### Operating conditions

Goods to be conveyed

Unit weight  kg

Total belt load  kg

Temperature Goods  °C

#### Subconstruction

Inlet height  $H_e$   mm

Discharge height  $H_a$   mm

Type  Without  Standard  Hight adjustable

Lateral guide  one side  both sides  short  long

Number of supports per side  Pcs.

#### Belt

Type  PVC, black  PU, green

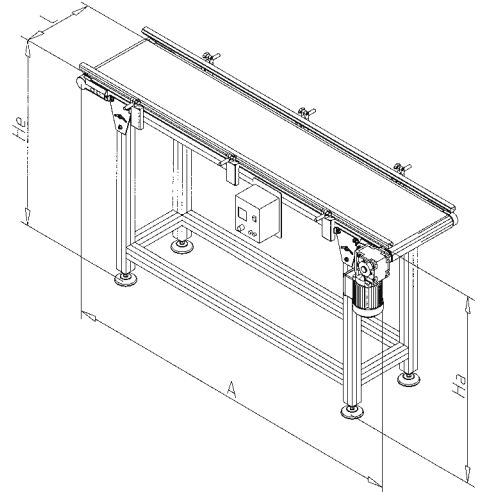
Lateral guide  PU, white, suitable for food products  Mesh, white

#### Drive

Motor arrangement (Plug-on motor)  right  left

Conveyor speed  2,6 m/min  3,4 m/min  5,1 m/min  
 10,5 m/min  12,4 m/min  19,9 m/min  
 24,9 m/min

Frequency transformer  yes  no



#### Contact details

Company   Please call me back

Contact person   Please send me an offer

Phone no.

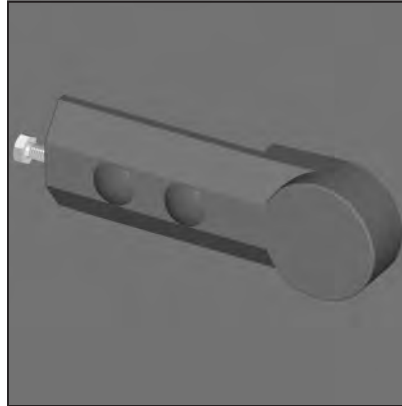
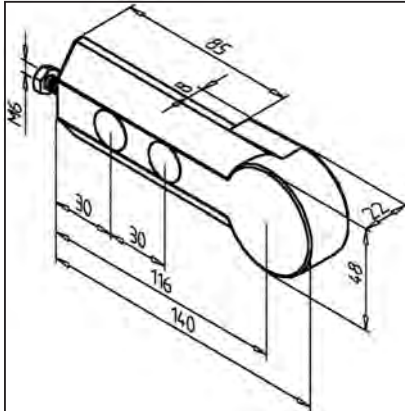
Fax no.

E-Mail



## CONVEYOR BEARING 45

part no. 21.0993/0



### TECHN. DATA / ITEMS SUPPLIED

- Aluminium GD, powder coated, grey
- Self-aligning ball bearing with  $\varnothing$  17 mm, both sides sealed
- Weight 0,275 kg
- Version in aluminium GD, with stainless bearing and fastening kit, conveyor bearing 45 H, **part no. 21.0993/5**
- **Stainless version, conveyor bearing 45 VA, part no. 21.0979/0**

### APPLICATIONS

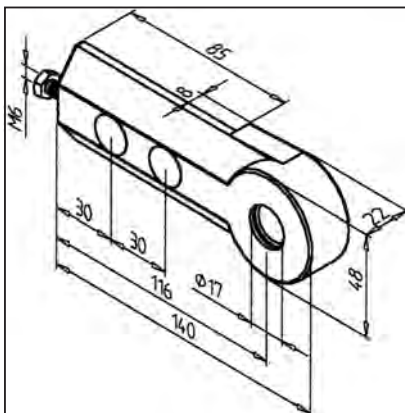
- Bearing for belt-tensioning cylinders

### ASSEMBLY

- Pretighten at the profile groove
- If swivel plates **part no. 29.5001/0** for support fastening are used, they serve as counter bearing for tightening purpose; if not, use multiblock or angles
- Tighten the conveyor belt by unscrewing the set screw, if necessary reset the tool
- Firmly tighten the conveyor bearing (Recommended locking torque: 25 Nm)

## CONVEYOR BEARING 45 WITH BORE

part no. 21.0993/1



### TECHN. DATA / ITEMS SUPPLIED

- Aluminium GD, powder coated, grey
- With bore for drive spigot
- Self-aligning ball bearing with  $\varnothing$  17 mm, both sides sealed
- Weight 0,268 kg
- Version in aluminium GD, with stainless bearing and fastening kit, conveyor bearing 45 H, **part no. 21.0993/6**
- **Stainless version, conveyor bearing 45 VA with bore, part no. 21.0980/0**
- Weight 0,681 kg

### APPLICATIONS

- Bearing for belt-tensioning cylinders
- Attachment of plug-on motors or chain wheels on shaft; max.  $\varnothing$  17 mm

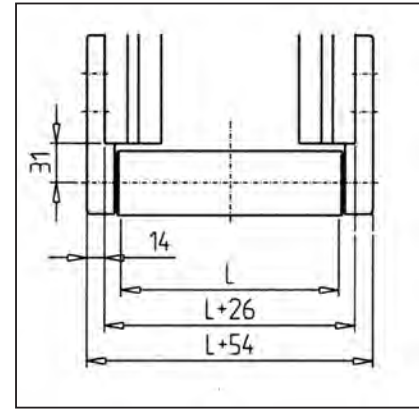
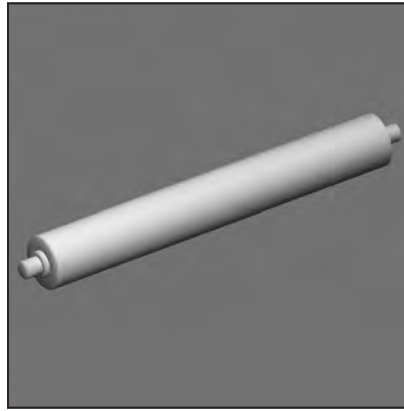
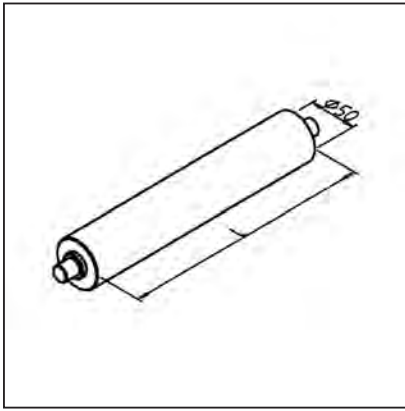
### ASSEMBLY

- Pretighten at the profile groove
- If swivel plates **part no. 29.5001/0** for support fastening are used, they serve as counter bearing for tightening purpose; if not, use multiblock or angles
- Tighten the conveyor belt by unscrewing the set screw, if necessary reset the tool
- Firmly tighten the conveyor bearing (Recommended locking torque: 25 Nm)



**BELT TENSIONING CYLINDER 45 ST**

part no. 21.0994/1

**TECHN. DATA / ITEMS SUPPLIED**

- Steel, zinc plated
- Turned spherically
- Weight 14,8 kg/m
- **Please specify dimension L (belt width)**
- **Attention: L is not the outer diameter of the conveyor  $\varnothing 50$**

**APPLICATIONS**

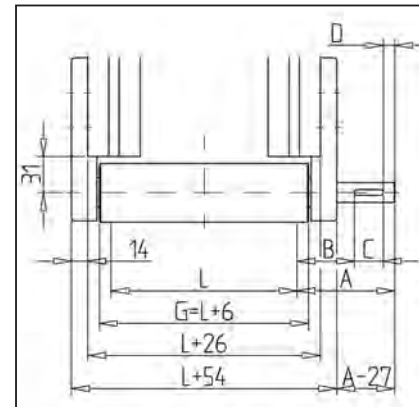
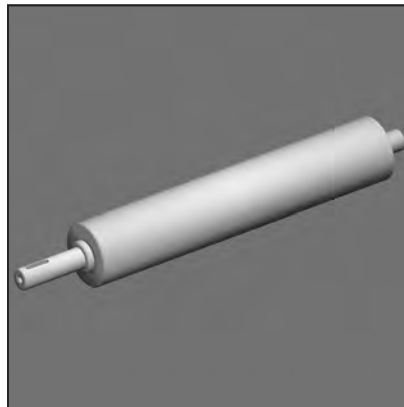
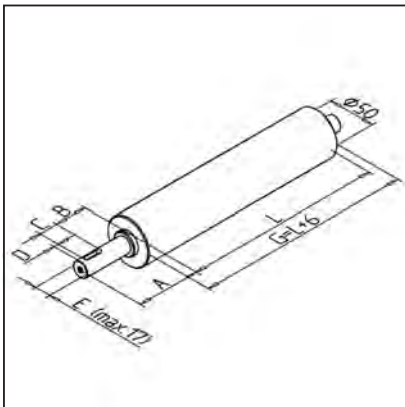
- MiniTec belt conveyor system
- Use suitable conveyor bearing **part no. 21.0993/0**
- On demand we can deliver the conveyor with mounted ball-bearing. The ball-bearings are gentle and warm pressed on. Please order **part no. 21.0901/0**

**ASSEMBLY**

- Insert the axle in the conveyor bearing assembly bore
- The cylinder is fixed axially by the self-aligning ball bearings
- The self-aligning ball bearings compensate light misalignments

**BELT DRIVING CYLINDER 45**

part no. 21.0995/0

**TECHN. DATA / ITEMS SUPPLIED**

- Steel, zinc plated
- Turned spherically
- Journal max.  $\varnothing 17$
- Weight 15,3 kg/m
- **Please indicate belt width L and dimensions A, B, C, D and E (if  $> \varnothing 17$  mm)**
- **Attention: L is not the outer diameter of the conveyor  $\varnothing 50$**

**APPLICATIONS**

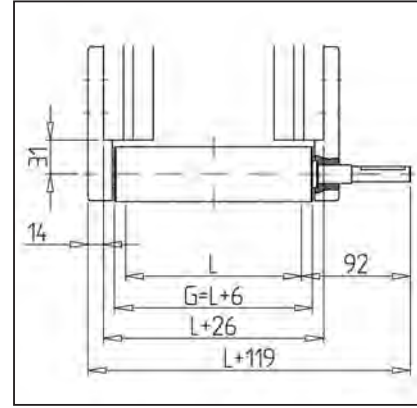
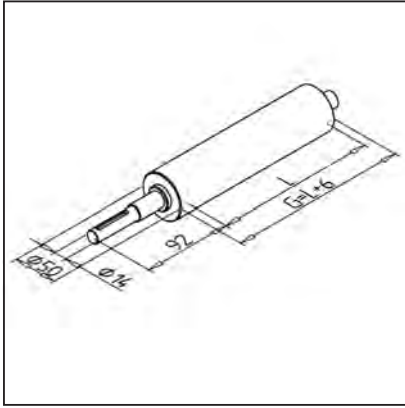
- MiniTec belt conveyor system
- Use suitable conveyor bearing **part no. 21.0993/0**
- On demand we can deliver the conveyor with mounted ball-bearing. The ball-bearings are gentle and warm pressed on. Please order **part no. 21.0900/0**

**ASSEMBLY**

- Insert belt driving cylinder in conveyor bearing with bore **part no. 21.0993/1**
- Mount the conveyor bearing **part no. 21.0993/0** on the opposite side
- The self-aligning ball bearings compensate light misalignments

## BELT DRIVING CYLINDER 45 ST FOR PLUG-ON MOTOR D14

part no.  
29.5023/0



### TECHN. DATA / ITEMS SUPPLIED

- Steel, zinc plated
- Turned spherically
- Axle Ø 14, driving side suitable for fastening the plug-on motor
- Weight 15,3 kg/m
- Please specify dimension L (belt width)
- Attention: L is not the outer diameter of the conveyor Ø50

### APPLICATIONS

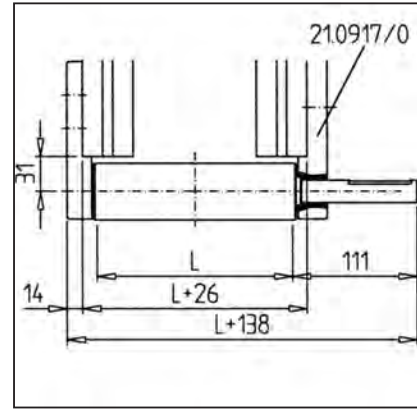
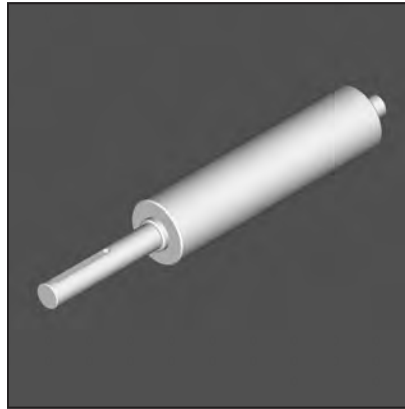
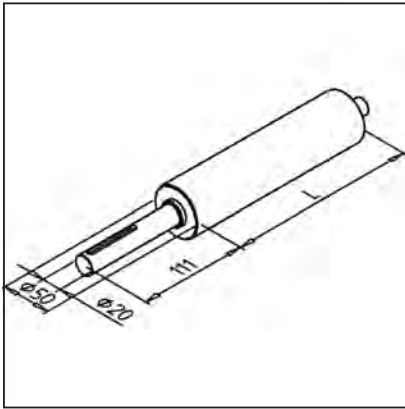
- MiniTec belt conveyor systems DSGM with torque support
- Suitable for MiniTec plug-on motor with torque support
- On demand we can deliver the conveyor with mounted ball-bearing. The ball-bearings are gentle and warm pressed on. Please order part no. 21.0900/0

### ASSEMBLY

- Insert the belt driving cylinder in the conveyor bearing for plug-on motor part no. 21.0993/0
- Mount the conveyor bearing part no. 21.0993/0 on the opposite side

## BELT DRIVING CYLINDER 45 FOR PLUG-ON MOTOR D20

part no.  
29.5042/0



### TECHN. DATA / ITEMS SUPPLIED

- Steel, zinc plated
- Turned spherically
- Axle Ø 20 mm, driving side suitable for fastening the plug-on motor
- Weight 15,3 kg/m
- Please specify dimension L (belt width)
- Attention: L is not the outer diameter of the conveyor Ø50

### APPLICATIONS

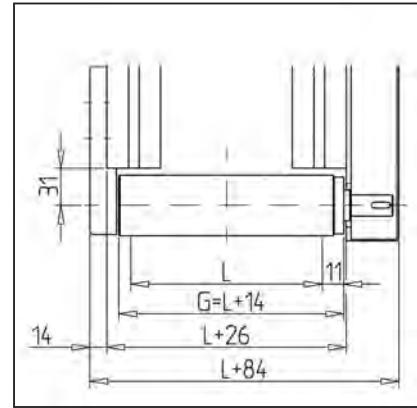
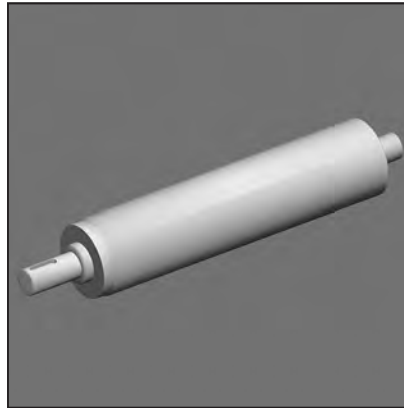
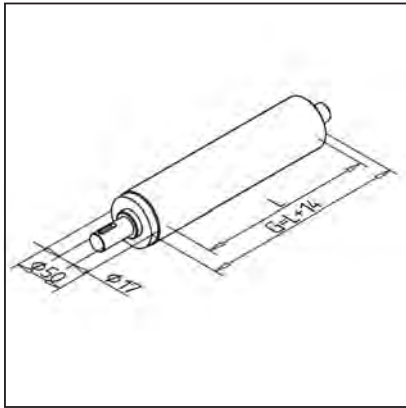
- MiniTec belt conveyor systems DSGM with torque support Wa 20 and WA 30
- Suitable for MiniTec plug-on motor with torque support type 90
- On demand we can deliver the conveyor with mounted ball-bearing. The ball-bearings are gentle and warm pressed on. Please order part no. 21.0900/0

### ASSEMBLY

- Insert the belt driving cylinder in the conveyor bearing for plug-on motor 45-20 part-N° 21.0917/0
- Mount the conveyor bearing part no. 21.0993/0 on the opposite side

**BELT DRIVING CYLINDER 45 ST FOR MOTOR KIT**

part no. 29.5022/0

**TECHN. DATA / ITEMS SUPPLIED**

- Steel, zinc plated
- Turned spherically
- Axle  $\varnothing$  17 mm, driving side suitable for fastening the chain wheel of motor fastening kit
- Weight 15,3 kg/m
- Please specify dimension L (belt width)
- Attention: L is not the outer diameter of the conveyor  $\varnothing$ 50

**APPLICATIONS**

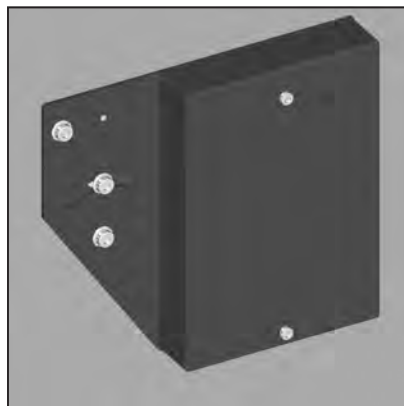
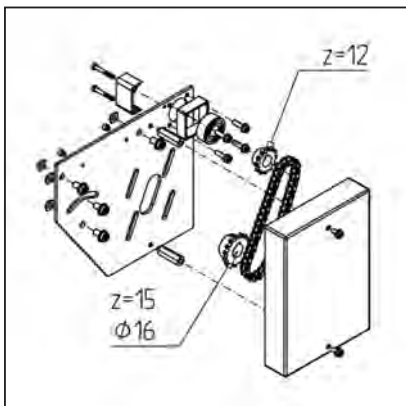
- Can only be used with the MiniTec belt conveyor kit 45
- On demand we can deliver the conveyor with mounted ball-bearing. The ball-bearings are gentle and warm pressed on. Please order **part no. 21.0900/0**

**ASSEMBLY**

- Insert the belt driving cylinder in the bearing housing on the motor side
- Mount the conveyor bearing **part no. 21.0993/0** on the opposite side
- The self-aligning ball bearings compensate light misalignments

**MOTOR ATTACHMENT KIT 45  $\varnothing$  16 MM**

part no. 29.5030/0

**TECHN. DATA / ITEMS SUPPLIED**

- Motor plate and cover, steel, powder coated, grey
- Housing with self aligning
- Chain wheel bored for motor-shaft  $\varnothing$  16 mm
- 2 chain wheels with driving chain
- Fastening kit
- Weight 3,06 kg

**APPLICATIONS**

- Belt-conveyors made of MiniTec aluminium profiles
- Suitable for attachment of spur wheel back-geared motors; flange  $\varnothing$  120 mm
- Belt driving cylinder **part no. 29.5022/0** and belt tensioning cylinder **part no. 21.0994/0**

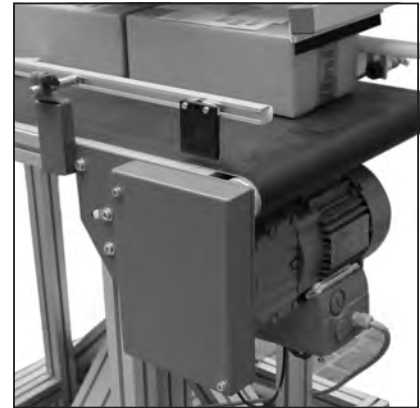
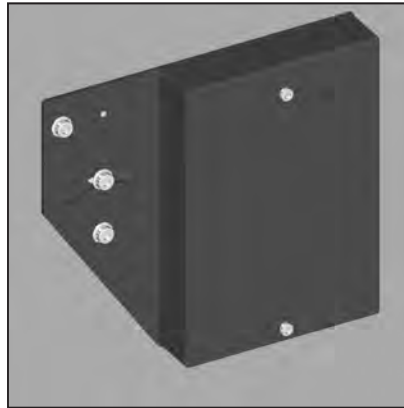
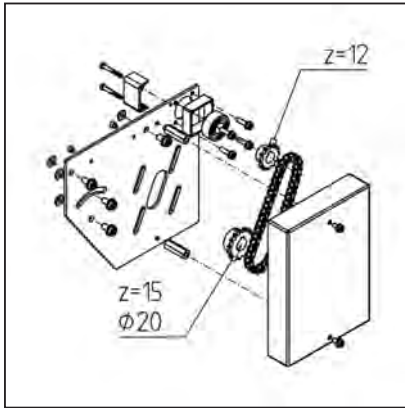
**ASSEMBLY**

- Screw flange plate on basic frame; mount housing with bearing
- Insert belt driving cylinder; mount conveyor bearing **part no. 21.0993/0** on the opposite side
- Mount motor and chain wheels and tension chain
- Mount cover



## MOTOR ATTACHMENT KIT 45 Ø 20 MM

part no. 29.5031/0



### TECHN. DATA / ITEMS SUPPLIED

- Motor plate and cover, steel, powder coated, grey
- Housing with self aligning
- Chain wheel bored for motor-shaft Ø 20mm
- 2 chain wheels with driving chain
- Fastening kit
- Weight 3,06 kg

### APPLICATIONS

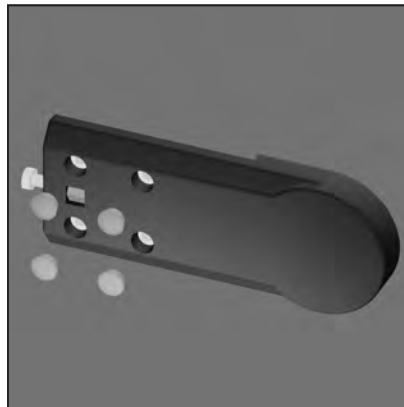
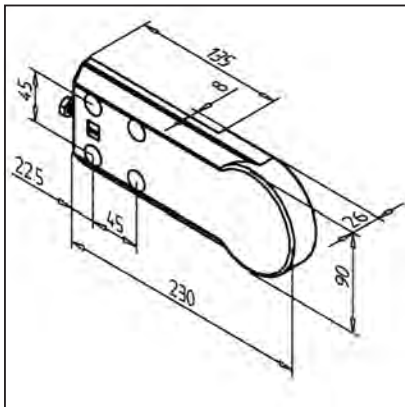
- Belt-conveyors made of MiniTec aluminium profiles
- Suitable for attachment of spur wheel back-gearred motors; flange Ø 120 mm
- Belt driving cylinder **part no. 29.5022/0** and belt tensioning cylinder **part no. 21.0994/0**

### ASSEMBLY

- Screw flange plate on basic frame; mount housing with bearing
- Insert belt driving cylinder; on the opposite side use conveyor bearing **part no. 21.0993/0**
- Mount motor and chain wheels and tension chain **part no. 21.0993/0**
- Mount cover

## CONVEYOR BEARING 90

part no. 21.0985/0



### TECHN. DATA / ITEMS SUPPLIED

- Aluminium GD, powder coated, grey
- Self-aligning ball bearing with Ø 25 mm, both sides sealed
- Weight 0,9 kg

### APPLICATIONS

- Storage of bend- and drive pulley by belt conveyors

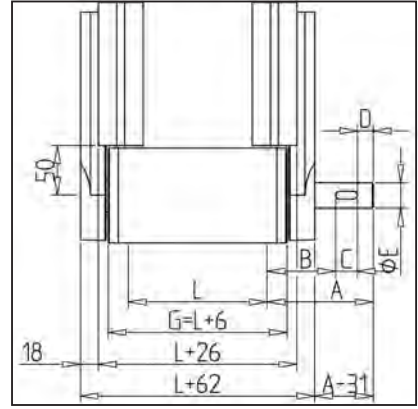
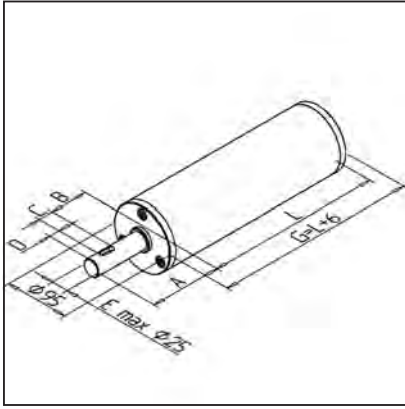
### ASSEMBLY

- Preassemble conveyor bearing at profile end
- As counter bearing for tightening of connection plate 45 x 90
- Tighten the conveyor belt by unscrewing the set screw, if necessary reset the tool as often as needed
- Firmly tighten the conveyor bearing (Recommended locking torque: 25 Nm)



## BELT DRIVING CYLINDER 90

part no. 21.0981/0



### TECHN. DATA / ITEMS SUPPLIED

- Aluminium with shaft made of steel
- Turned spherically
- Axle  $\varnothing$  25 mm
- Weight 16,2 kg/m
- Please specify dimension L (belt width) as well as dimensions A, B, C, D and E (if  $>$   $\varnothing$  25 mm)
- Attention: L is not the outer diameter of the conveyor  $\varnothing$ 95

### APPLICATIONS

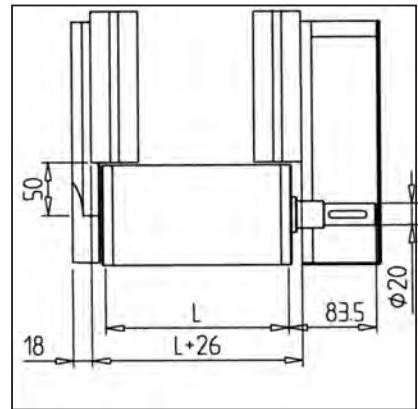
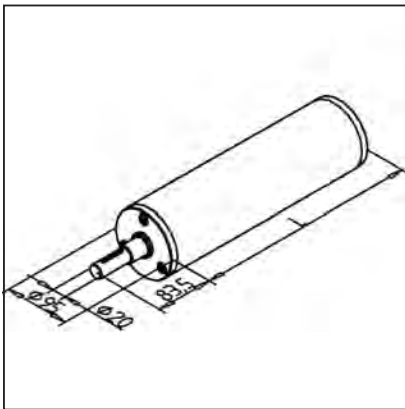
- MiniTec belt conveyor system
- Use suitable conveyor bearing part no. 21.0985/0 and part no. 21.0985/1
- On demand we can deliver the conveyor with mounted ball-bearing. The ball-bearings are gentle and warm pressed on. Please order part no. 21.0902/0

### ASSEMBLY

- Insert belt driving cylinder in conveyor bearing with bore part no. 21.0985/1
- Mount on opposite conveyor bearing part no. 21.0985/0
- The self-aligning ball bearings compensate light misalignments

## BELT DRIVING CYLINDER 90 FOR MOTOR KIT 90

part no. 29.5069/0



### TECHN. DATA / ITEMS SUPPLIED

- Steel, zinc plated
- Turned spherically
- Axle  $\varnothing$  20 mm
- Weight 15,3 kg/m
- Please specify dimension L (belt width)
- Attention: L is not the outer diameter of the conveyor  $\varnothing$ 95

### APPLICATIONS

- MiniTec belt conveyor system with motor kit 90 part no. 29.5031/0 and drum bearing part no. 21.0985/0
- On demand we can deliver the conveyor with mounted ball-bearing. The ball-bearings are gentle and warm pressed on. Please order part no. 21.0902/0

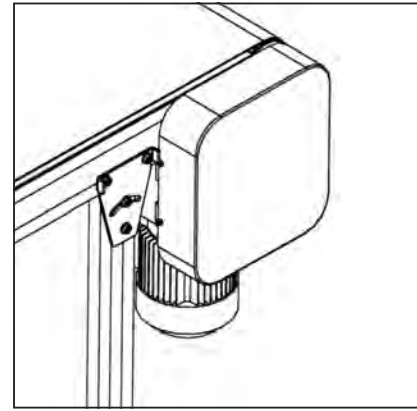
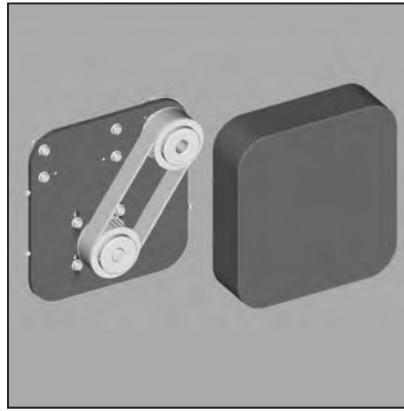
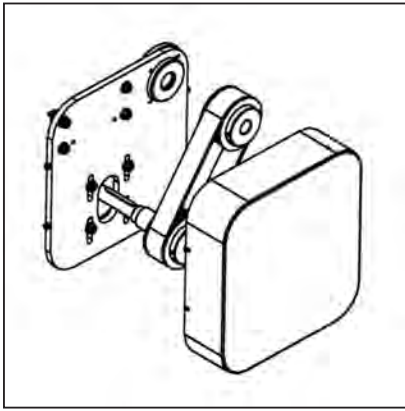
### ASSEMBLY

- Insert the belt driving cylinder in the bearing housing on the motor side
- Mount the conveyor bearing part no. 21.0985/0 on the opposite side



**MOTOR KIT 90**

part no. 29.5060/0

**TECHN. DATA / ITEMS SUPPLIED**

- Motor plate and cover, steel, powder coated, grey
- Housing with self aligning
- Belt driving cylinder  $\varnothing$  20 mm
- Timing belt 32 AT 10
- Fastening kit
- Weight 6,3 kg

**APPLICATIONS**

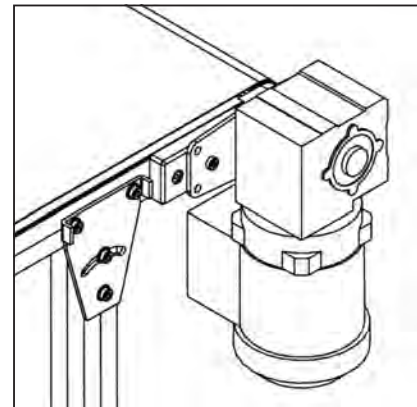
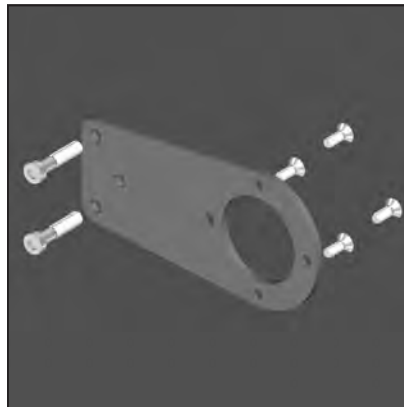
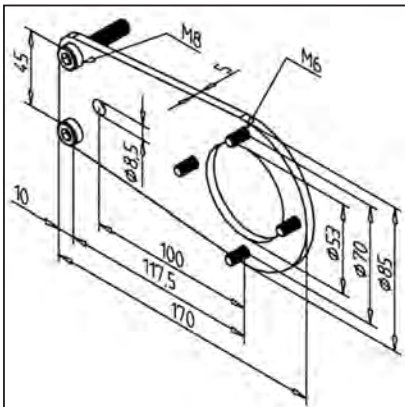
- Belt-conveyors made of MiniTec aluminium profiles 90
- Suitable for attachment of spur wheel back-gearred motors; hollow shaft  $\varnothing$ 20 mm flange  $\varnothing$  120 mm

**ASSEMBLY**

- Screw flange plate on basic frame; mount housing with bearing
- Mount motor and tension timing belt
- Insert belt driving cylinder; mount conveyor bearing **part no. 21.0985/0** on the opposite side
- Mount cover

**TORQUE SUPPORT WA 20**

part no. 29.5036/0

**TECHN. DATA / ITEMS SUPPLIED**

- Torque support steel, powder coated grey
- Fastening kit for type 90
- Weight 0,432 kg

**APPLICATIONS**

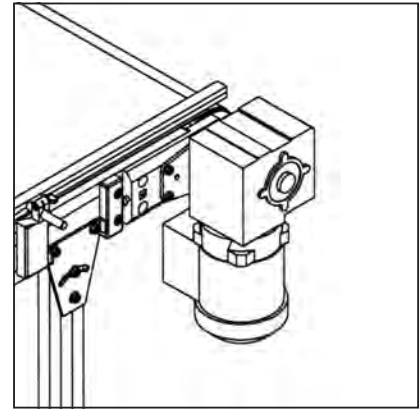
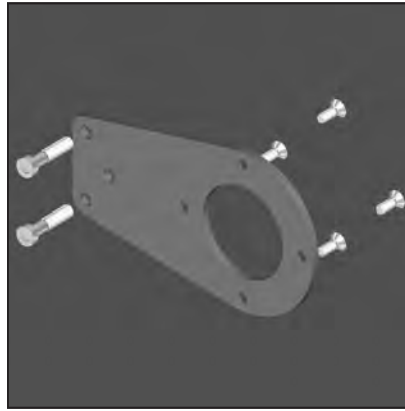
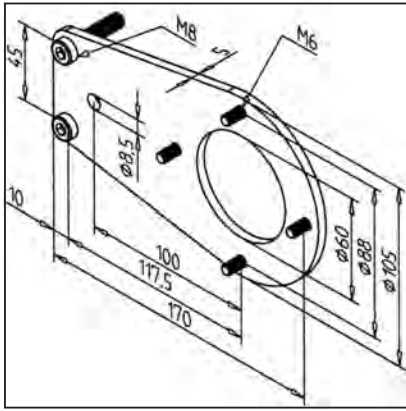
- Minitec belt conveyors
- Attachment of plug-on motor DSGM 180 and DSGM 250 for MiniTec belt conveyors 45 and 90
- Type 90: Use suitable belt driving cylinder **part no. 29.5035/0** and conveyor bearing **part no. 21.0985/1**
- Type 45: Use suitable belt driving cylinder **part no. 29.5042/0** and conveyor bearing **part no. 21.0917/0**

**ASSEMBLY**

- Fasten torque support onto motor
- Attach motor on belt driving cylinder
- Fasten torque support
- Type 45: use screw M8 x 20 (not in scope of delivery)

## TORQUE SUPPORT WA 30

part no. 29.5037/0



### TECHN. DATA / ITEMS SUPPLIED

- Torque support steel, powder coated grey
- Fastening kit for type 90
- Weight 0,516 kg

### APPLICATIONS

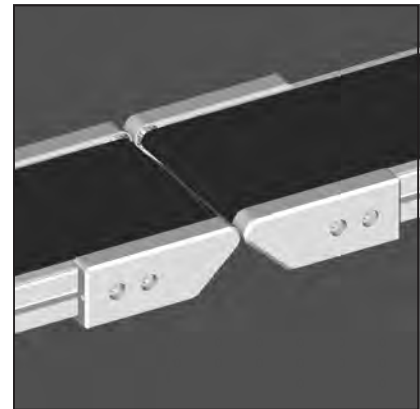
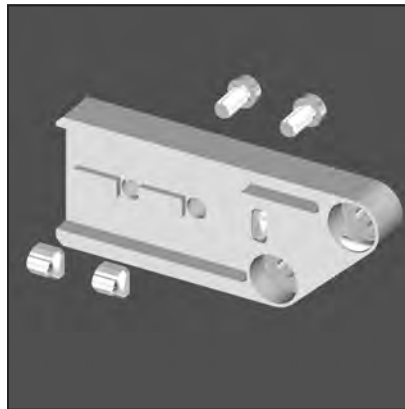
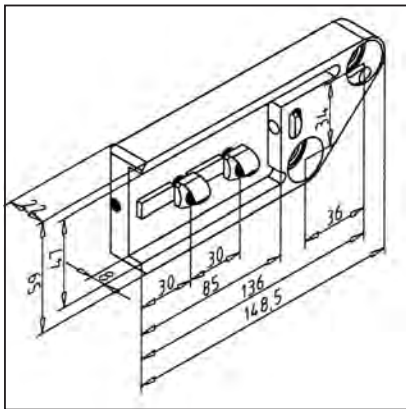
- MiniTec belt conveyors
- Attachment of plug-on motor DSGM 370 and DSGM 550 for MiniTec belt conveyors 90
- Type 90: Use suitable belt driving cylinder **part no. 29.5035/0** and conveyor bearing **part no. 21.0985/1**
- Type 45: Use suitable belt driving cylinder **part no. 29.5042/0** and conveyor bearing **part no. 21.0917/0**

### ASSEMBLY

- Fasten torque support onto motor
- Attach motor on belt driving cylinder
- Fasten torque support
- Type 45: use screw M8 x 20 (not in scope of delivery)

## DRUM BEARING LEFT KNIFE EDGE

part no. 29.5312/0



### TECHN. DATA / ITEMS SUPPLIED

- Applications
- Deep groove ball bearing with  $\varnothing$  8 mm bore
- All transfer systems TSG
- Weight 0,375 kg/m

### APPLICATIONS

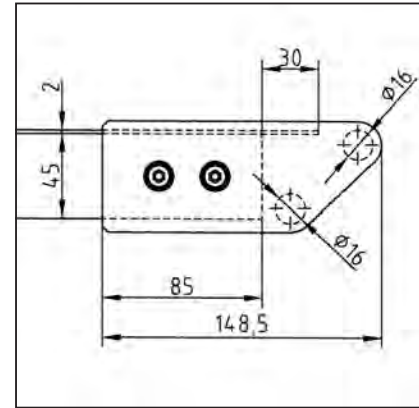
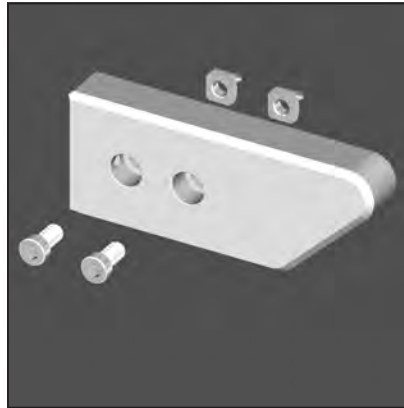
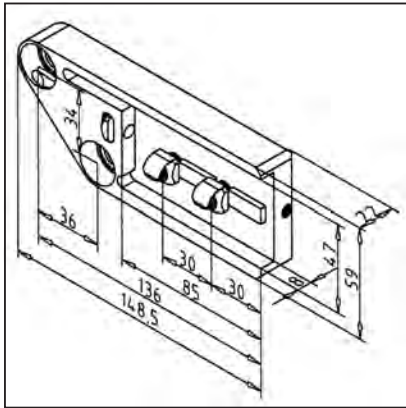
- Knife edge return shaft bearing
- For small transport goods and light loads

### ASSEMBLY

- Use fastening kit
- Align shaft exactly with angle to avoid offset for the bearing

**DRUM BEARING RIGHT KNIFE EDGE**

part no. 29.5311/0

**TECHN. DATA / ITEMS SUPPLIED**

- Aluminium, natural anodized
- Deep groove ball bearing with  $\varnothing$  8 mm bore
- Fastening kit
- Weight 0,375 kg/m

**APPLICATIONS**

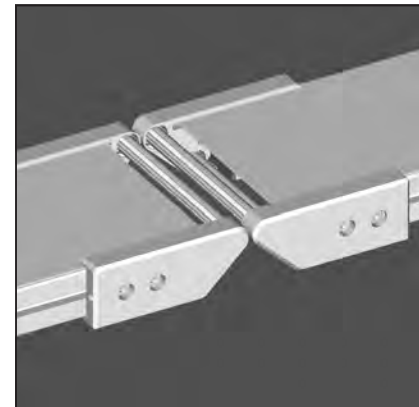
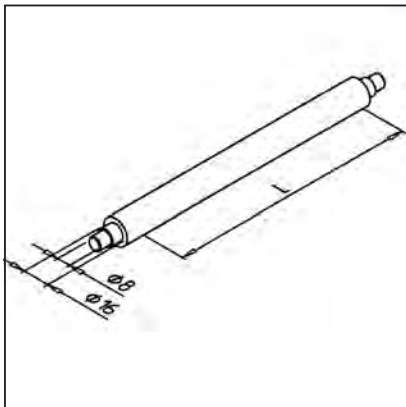
- Knife edge return shaft bearing
- For small transport goods and light loads

**ASSEMBLY**

- Use fastening kit
- Align shaft exactly with angle to avoid offset for the bearing

**RETURN SHAFT 16 KNIFE EDGE**

part no. 29.5313/0

**TECHN. DATA / ITEMS SUPPLIED**

- Steel
- Not spherical
- Shaft journal  $\varnothing$  8 mm
- Weight 1,578 kg/m
- Please specify dimension L (belt width), max. 300 mm

**APPLICATIONS**

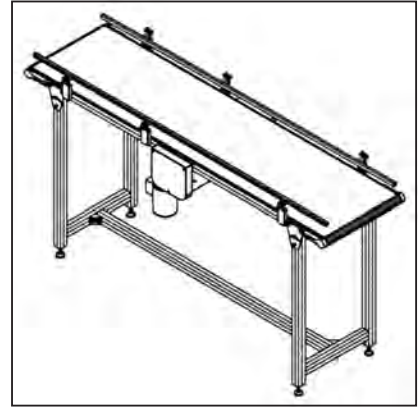
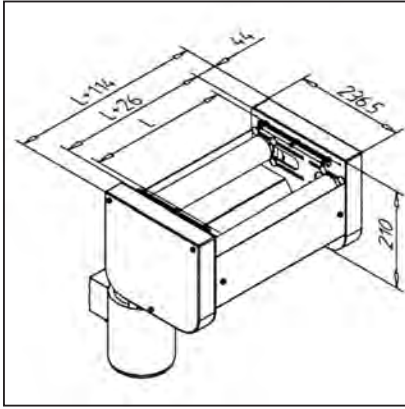
- Return shaft for knife edge belt
- For small transport goods and light loads

**ASSEMBLY**

- Align shaft exactly with bracket to avoid misalignment for the bearing

## CENTER DRIVE - 3 WHEELS SYSTEM

part no. 29.5260/0



### TECHN. DATA/ITEMS SUPPLIED

- Weight 0,820 kg/m
- Ball bearings on both sides
- With complete installation material, without motor
- **part no. 29.5260/0 Weight with drive ø 50 mm:** 50,800 kg/m
- **part no. 29.5261/0 Weight with drive ø 70 mm:** 70,566 kg/m

### APPLICATIONS

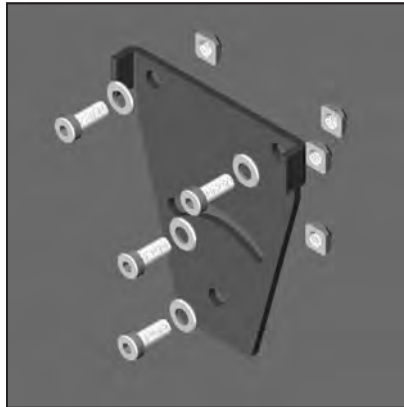
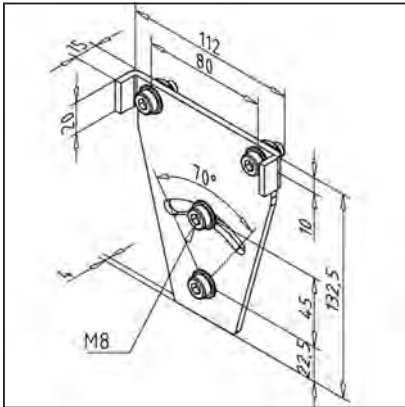
- Space saving drive
- Motor below conveyor
- Suitable for nosebar on both ends

### ASSEMBLY

- First install sheets
- Assemble driving drum, tensioning drive and bearing housing
- Assemble sprocked wheel, chain and motor. Adjust belt-tension after that

## SWIVEL PLATE

part no. 29.5001/0



### TECHN. DATA / ITEMS SUPPLIED

- Steel, powder coated, grey
- Fastening kit
- Weight 0,377 kg
- **Stainless version part no. 29.5012/0**

### APPLICATIONS

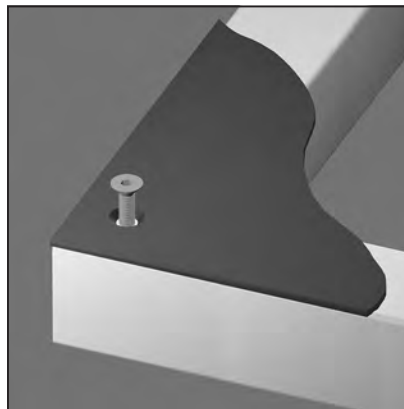
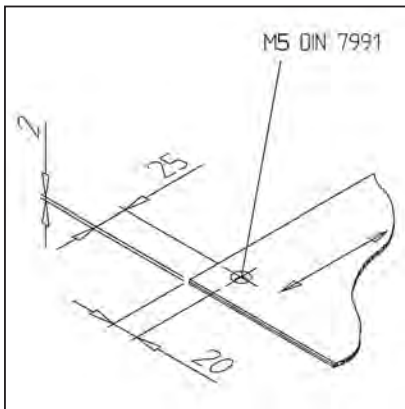
- Attachment of the sub-construction on MiniTec belt conveyor
- Also suitable for inclined belt conveyors
- The swivel plate is also used as a counterbearing to tighten the belt
- Range ± 35°

### ASSEMBLY

- Fasten at the conveyor profiles at the subconstruction fastening kit using

**SUPPORTING SHEET**

part no. 29.5010/0

**TECHN. DATA / ITEMS SUPPLIED**

- Aluminium, anodized
- Thickness: 2 mm
- bored, ready for use
- Weight 5,4 kg/m<sup>2</sup>
- **Stainless version part no. 29.5010/1**

**APPLICATIONS**

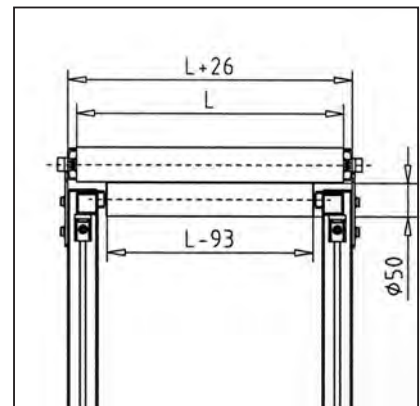
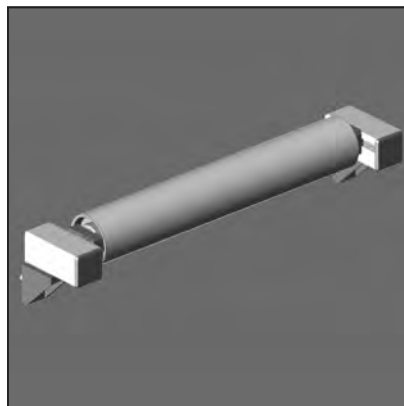
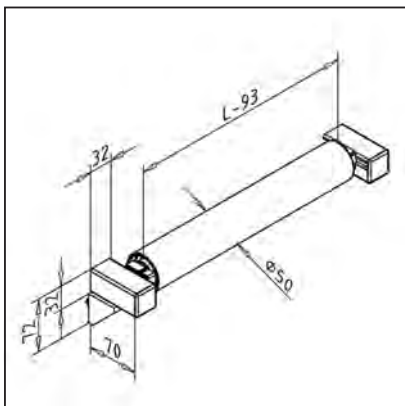
- Support for conveyor belts
- For MiniTec conveyor systems

**ASSEMBLY**

- Screw with counter sunk screws M5 x 16 and square nut M5 on profile

**SUPPORT ROLLER KIT**

part no. 29.5002/0

**TECHN. DATA / ITEMS SUPPLIED**

- Support roller kit, PVC
- Ball bearings on both sides
- Two profile supports
- 2 mounting angles
- Fastening kit
- Weight 0,487 kg
- **Please specify dimension L (belt width)**

**APPLICATIONS**

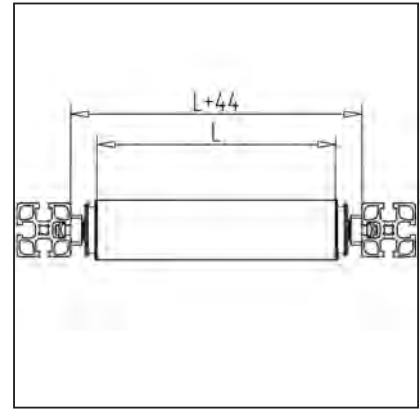
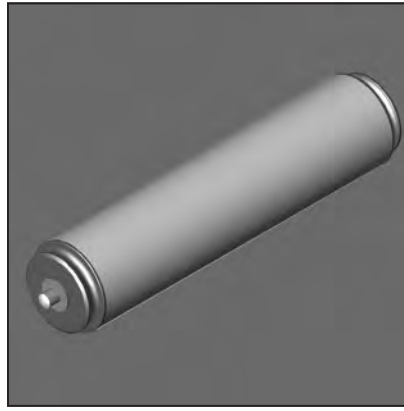
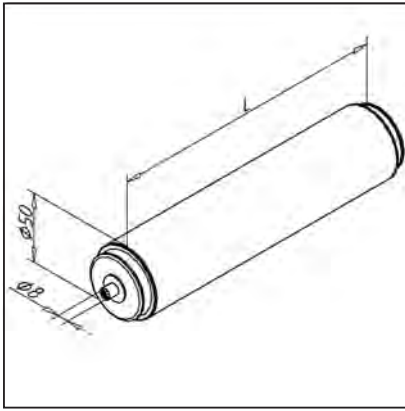
- MiniTec belt conveyor system
- As a support for the lower side of long belt conveyors
- We recommend to install one support roller for each intermediate support on the belt conveyor
- Use this support roller kit only with belt width > 115 mm

**ASSEMBLY**

- Preassemble the profile roller support on the conveyor supports; use the angles
- Clip the support roller fastening kit
- Slide the roller in appropriate position and tighten the screws

## TRANSPORT ROLLER 50-25

part no. diverse



### TECHN. DATA / ITEMS SUPPLIED

- Completely mounted transport roller optional PVC-tube or Alu-tube

- Please indicate dimension L

- Transport roller PVC **part no. 21.0890/0**

- Transport roller Al **part no. 21.0892/0**

### APPLICATIONS

- Production of roller conveyors with or without drive

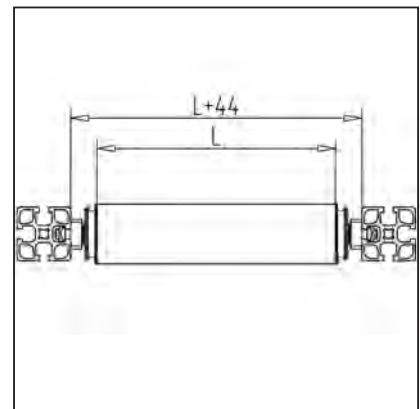
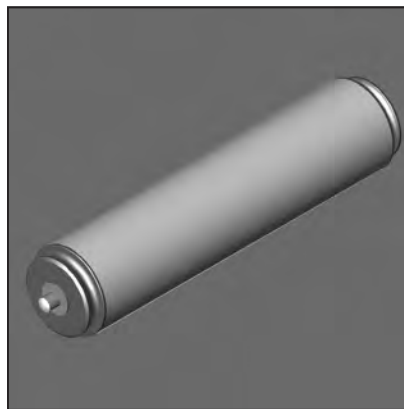
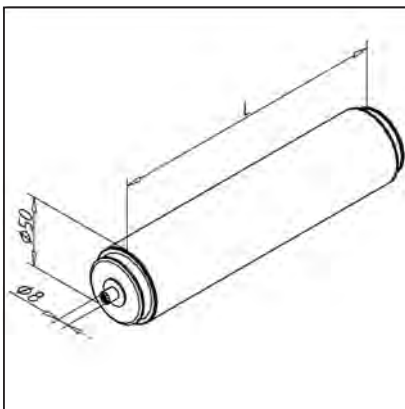
### ASSEMBLY

- Clip in roller support

- Use with roller support 25 **part no. 22.1196/0**

## TRANSPORT ROLLER 50-36

part no. diverse



### TECHN. DATA / ITEMS SUPPLIED

- Completely mounted transport roller optional PVC-tube or Alu-tube

- Load max. (roller) 20 kg

- Please specify dimension L

- Transport roller PVC **part no. 21.1717/0**

- Transport roller Al **part no. 21.1716/0**

### APPLICATIONS

- Production of roller conveyors with or without drive

### ASSEMBLY

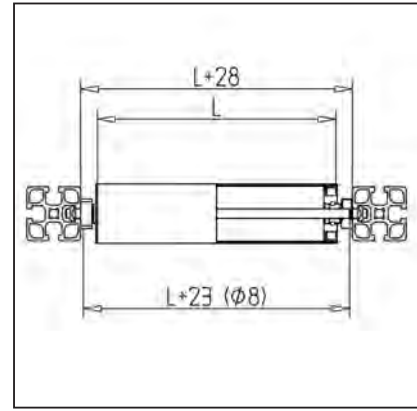
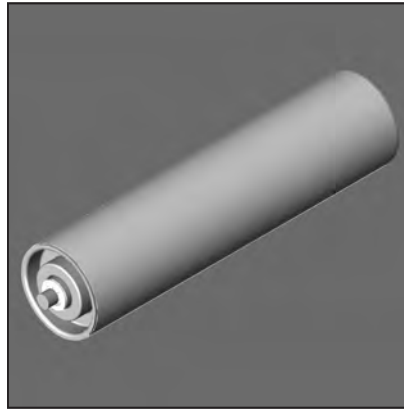
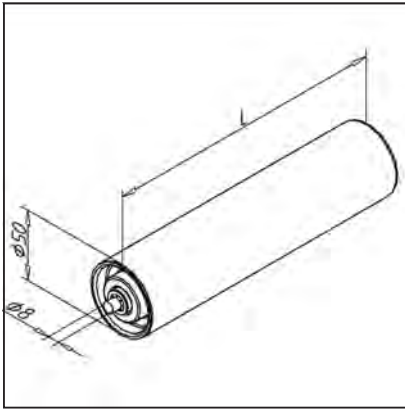
- Clip in roller support

- As roller support we recommend door catch **part no. 21.1190/0**



**TRANSPORT ROLLER S 50-25**

part no. diverse

**TECHN. DATA / ITEMS SUPPLIED**

- Completely mounted transport roller optional PVC-tube or Alu-tube

- With ball bearings and shaft

- **Please indicate dimension L**

- Transport roller PVC **part no. 21.0891/0**

- Transport roller Al **part no. 21.0895/0**

**APPLICATIONS**

- Production of roller conveyors without drive

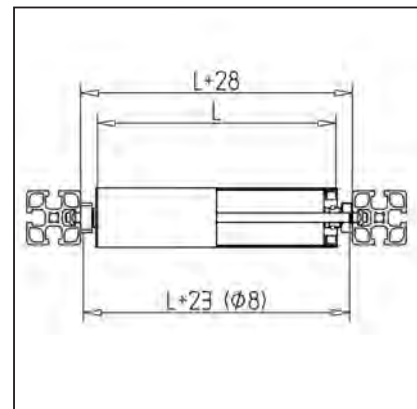
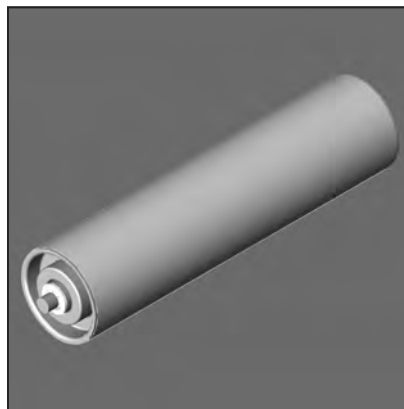
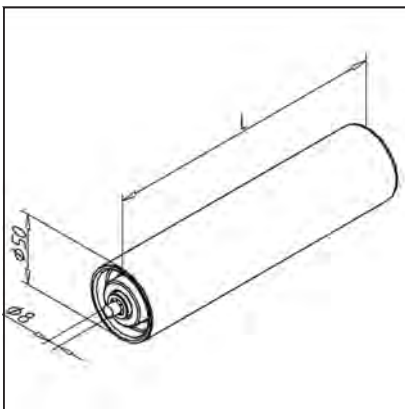
**ASSEMBLY**

- Clip in roller support

- Use with roller support 25  
**part no. 21.1196/0**

**TRANSPORT ROLLER S 50-36**

part no. diverse

**TECHN. DATA / ITEMS SUPPLIED**

- Completely mounted transport roller, PVC-tube

- With ball bearings and shaft

- **Please indicate dimension L**

- Transport roller PVC **part no. 21.1790/0S**

- Transport roller Al **part no. 21.1718/0S**

**APPLICATIONS**

- Production of roller conveyors without drive

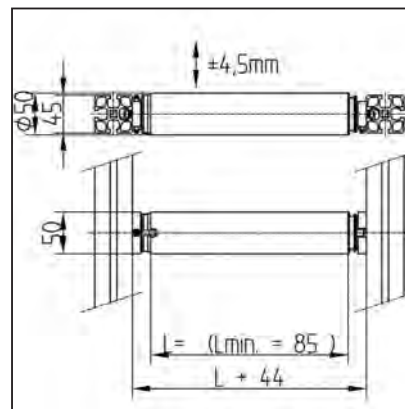
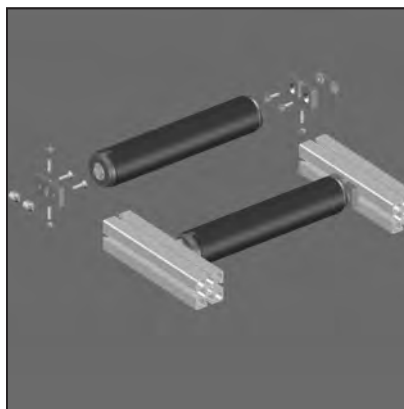
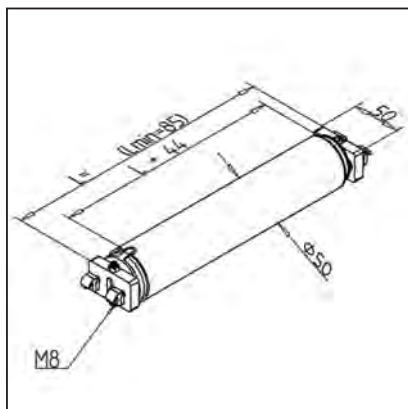
**ASSEMBLY**

- Clip in roller support

- Use with roller support 36  
**part no. 22.1190/0**

## BRAKE-ROLLER PVC 50

part no. 21.2250/0



### TECHN. DATA / ITEMS SUPPLIED

- PVC, blue	
- Fastening kit	
- Weight	0,295 kg
- Weight	+ 0,45 kg/m

### APPLICATIONS

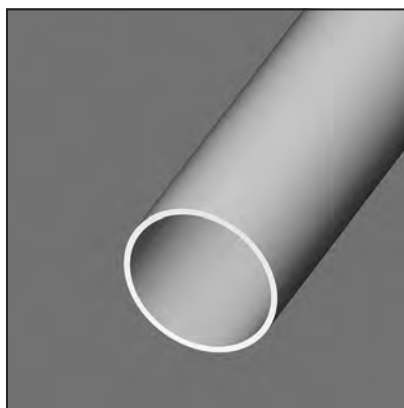
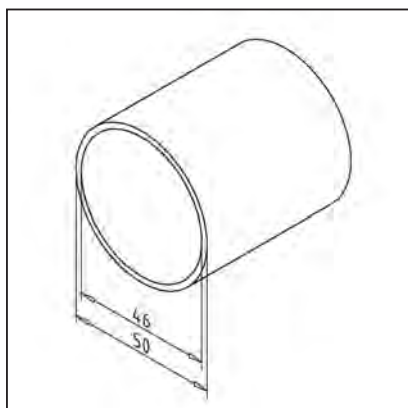
- To decelerate transport boxes on sloped roller conveyors

### ASSEMBLY

- Mount lateral support on frame of roller conveyor
- Clip brake-roller and adjust height with stud bolts
- The brake-roller can be adjusted in height  $\pm 5$  mm

## TUBE AL 50 X 2

part no. 20.1041/0



### TECHN. DATA / ITEMS SUPPLIED

- AlMgSi 0,5 F22, natural	
- Recommended tube length: max. 1000 mm	
- Weight	0,820 kg/m
- Length	6 m
<b>- Please indicate needed tube length</b>	

### APPLICATIONS

- Transport rollers at any length for driven or non-driven roller conveyors

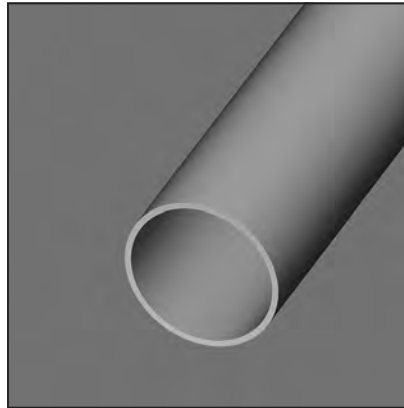
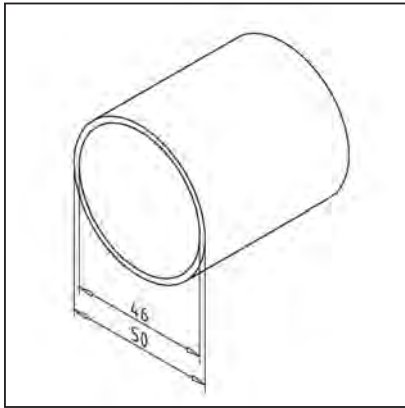
### ALL TRANSFER SYSTEMS TSG

- Use bearing assembly S bearing assembly for transport roller



**TUBE PVC 50 X 2**

part no. 20.0992/0

**TECHN. DATA / ITEMS SUPPLIED**

- PVC, grey
- Recommended tube length: max. 1000 mm
- Weight 0,420 kg/m
- Length 3 m
- **Please indicate needed tube length**

**APPLICATIONS**

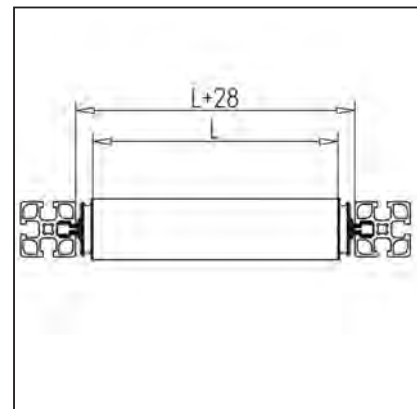
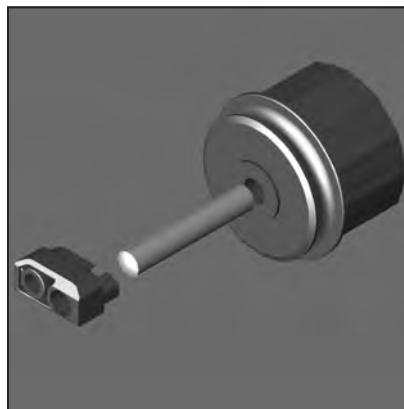
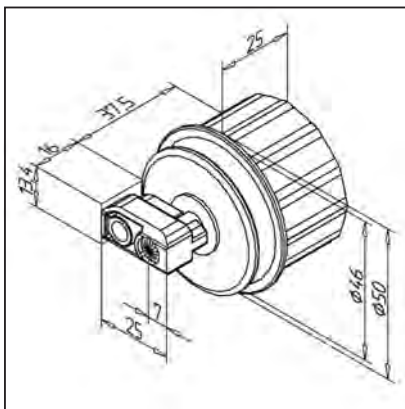
- Transport rollers at any length for driven or non-driven roller conveyors

**ASSEMBLY**

- Use bearing assembly S or bearing assembly for transport roller

**BEARING ASSEMBLY FOR TRANSPORT ROLLERS 25**

part no. 21.0894/0

**TECHN. DATA / ITEMS SUPPLIED**

- bearing bush, PA 6
- Axle bolt, steel
- Roller support, PA 6
- Fastening kit
- For transport rollers of 60 - 1000 mm
- Weight 0,42 kg
- Load max. (roller) 20 kg

**APPLICATIONS**

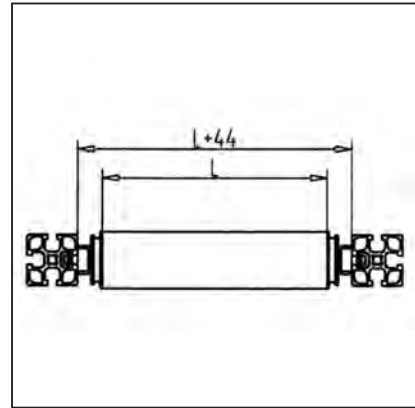
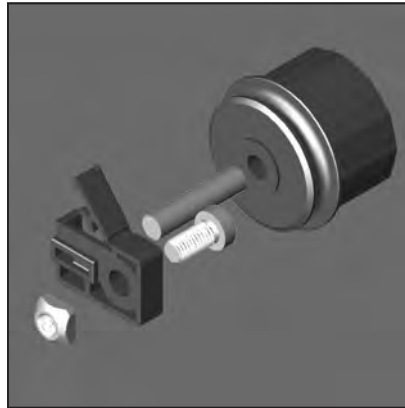
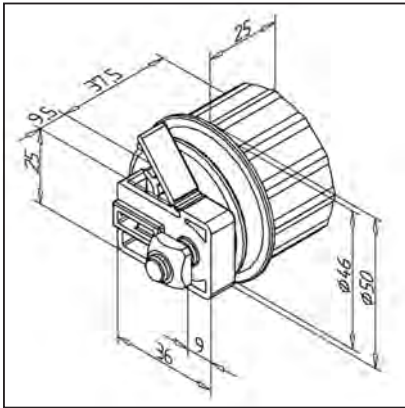
- Roller conveyors at any length
- Drive via round belt  $\varnothing$  5 mm possible
- The rollers can be replaced individually

**ASSEMBLY**

- Attachment of the roller support on all profiles possible
- Mount roller support
- Press bearing assembly into the tube
- Insert axle bolt

## BEARING ASSEMBLY FOR TRANSPORT ROLLERS 36

part no. 21.1056/0



### TECHN. DATA / ITEMS SUPPLIED

- housing PA with slide-bearing
- Axle bolt, steel
- Roller support, PA 6
- Fastening kit
- For transport rollers of 60 - 1000 mm
- Weight 0,42 kg
- Load max. (roller) 20 kg

### APPLICATIONS

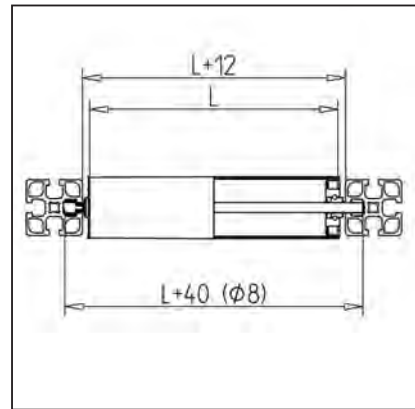
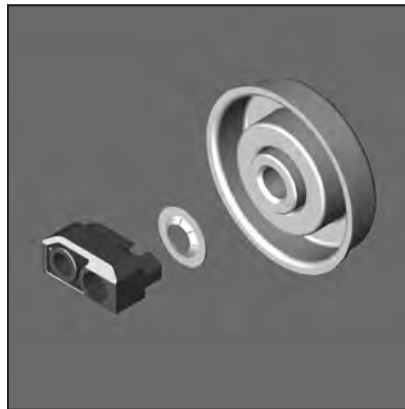
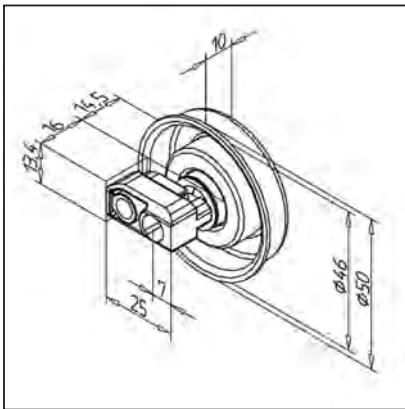
- Roller conveyors at any length
- Drive via round belt  $\varnothing$  5 mm possible
- The rollers can be replaced individually

### ASSEMBLY

- Attachment of the roller support on all profiles possible
- Mount roller support
- Press bearing assembly into the tube
- Insert axle bolt

## BEARING ASSEMBLY S 25

part no. 21.0893/0



### TECHN. DATA / ITEMS SUPPLIED

- Housing steel with ball bearing
- Securing clip, steel
- Roller support, PA 6
- Fastening kit
- For transport rollers of 60 - 1000 mm
- Weight 0,42 kg
- Load max. (roller) max. 33 kg

### APPLICATIONS

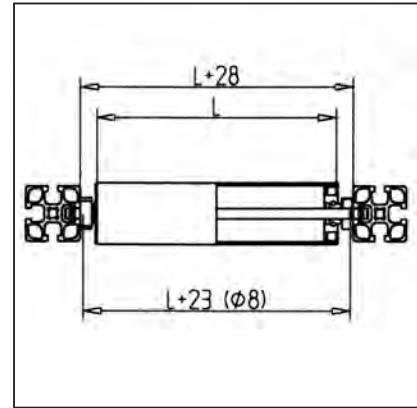
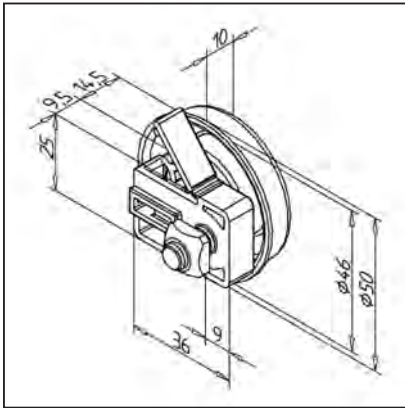
- Roller conveyors at any length
- The rollers can be replaced individually

### ASSEMBLY

- Attachment of the roller support on all profiles possible
- Press bearing assembly into the tube
- Conduct spindle  $\varnothing$  8mm and clip on
- Clip in transport roller

**BEARING ASSEMBLY S 36**

part no. 21.1722/0

**TECHN. DATA / ITEMS SUPPLIED**

- Housing steel with ball bearing
- Securing clip, steel
- Roller support, PA 6
- Fastening kit
- For transport rollers of 60 - 1000 mm
- Weight 0,42 kg
- Load max. (roller) max. 33 kg

**APPLICATIONS**

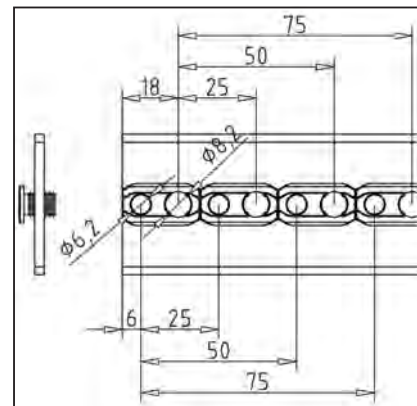
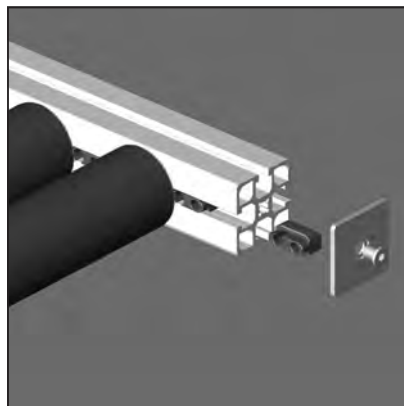
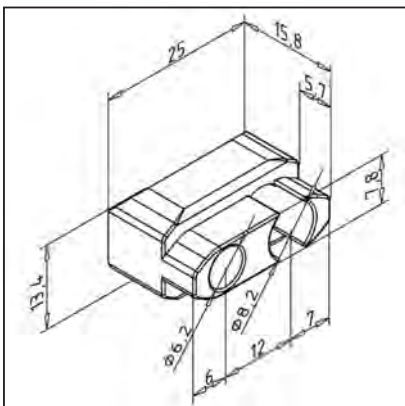
- Roller conveyors at any length
- The rollers can be replaced individually

**ASSEMBLY**

- Attachment of the roller support on all profiles possible
- Press bearing assembly into the tube
- Conduct spindle  $\varnothing$  8mm and clip on
- Clip in transport roller

**PULLEY CARRIER 25**

part no. 22.1196/0

**TECHN. DATA / ITEMS SUPPLIED**

- PP, grey
- fastening kit steel, zinc-plated
- Weight 0,018 kg
- Load capacity 15 kg/Träger

**APPLICATIONS**

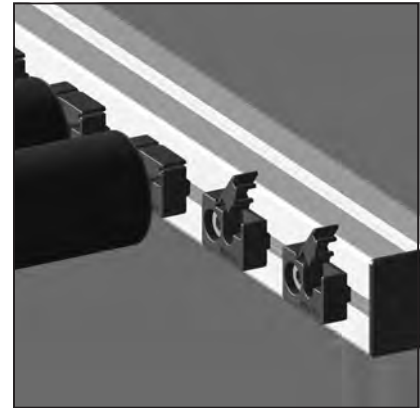
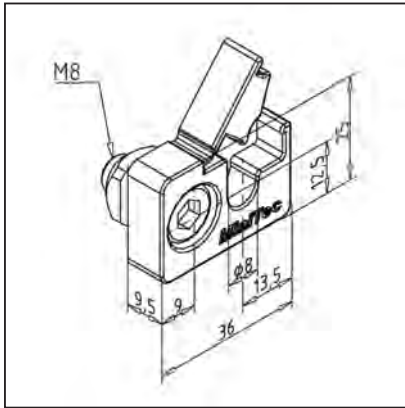
- To assemble roller conveyors with variable spacing of rollers
- smallest possible roller  $\varnothing$  25 mm
- Roller axis  $\varnothing$  8 mm

**ASSEMBLY**

- mount pulley carrier onto profile at desired distance
- Insert axle of transport roller into pulley carrier
- press locking device for axis shut

## PULLEY CARRIER 36

part no. 22.1190/0



### TECHN. DATA / ITEMS SUPPLIED

- PP, grey	
- fastening kit steel , zinc-plated	
- Weight	0,018 kg
- Load capacity Träger	15 kg/

### APPLICATIONS

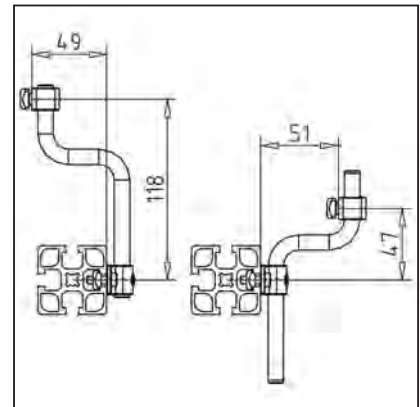
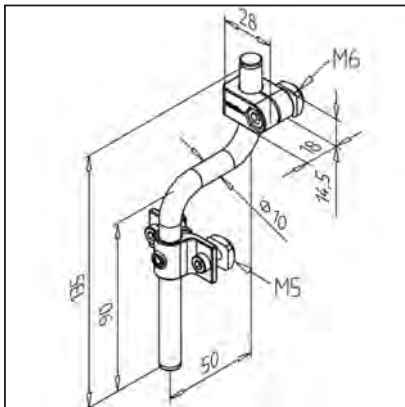
- To assemble roller conveyors with variable spacing of rollers
- smallest possible roller  $\varnothing$  25 mm
- Roller axis  $\varnothing$  8 mm

### ASSEMBLY

- mount pulley carrier onto profile at desired distance
- Insert axle of transport roller into pulley carrier
- press locking device for axis shut

## LATERAL GUIDE SUPPORT, SHORT

part no. 29.5046/0



### TECHN. DATA / ITEMS SUPPLIED

- abs, grey	
- distance bolt, stainless steel	
- With fastening material steel, zinc plated	
- Weight	0,097 kg

### APPLICATIONS

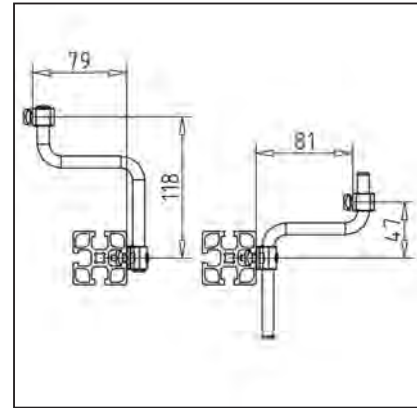
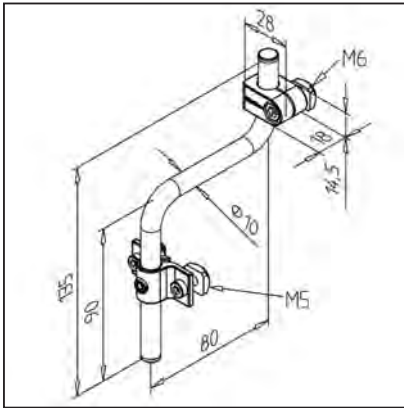
- Adjustable lateral guide for MiniTec roller conveyor, conveyor belt etc.
- we recommend approx. 300 mm distance between the supports

### ASSEMBLY

- slide square nut into base frame of conveyor and adjust the support
- adjust height and distance
- mount the lateral guide

## LATERAL GUIDE SUPPORT, LONG

part no. 29.5047/0



### TECHN. DATA / ITEMS SUPPLIED

- abs, grey
- distance bolt, stainless steel
- With fastening material steel, zinc plated
- Weight 0,104 kg

### APPLICATIONS

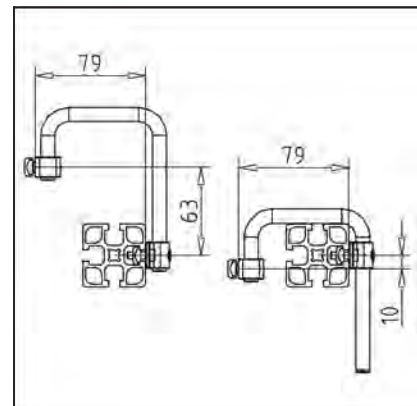
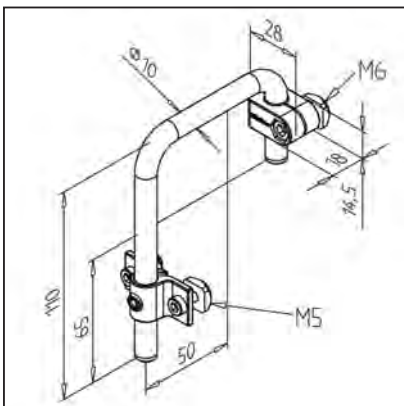
- adjustable lateral guide for MiniTec roller conveyors, belt conveyors etc.
- we recommend approx. 300 mm distance between the supports
- larger adjustment range of lateral support **part no. 29.5047/0**

### ASSEMBLY

- slide square nut into base frame of conveyor and adjust the support
- adjust height and distance
- mount the lateral guide

## LATERAL GUIDE SUPPORT U-SHAPED

part no. 29.5048/0



### TECHN. DATA / ITEMS SUPPLIED

- abs, grey
- distance bolt, stainless steel
- With fastening material steel, zinc plated
- Weight 0,108 kg

### APPLICATIONS

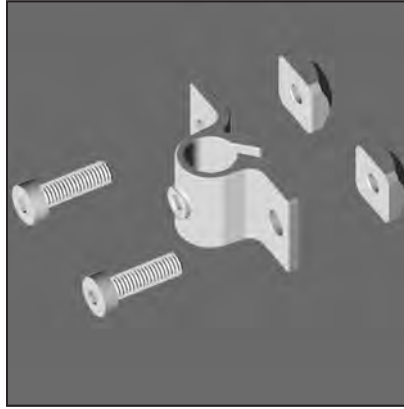
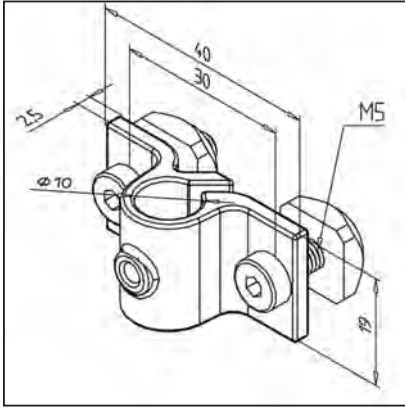
- adjustable lateral guide for MiniTec roller conveyors, belt conveyors etc.
- we recommend approx. 300 mm distance between the supports
- Lateral guide can be completely pushed down onto the roller conveyor or belt conveyor, for flat goods to be conveyed

### ASSEMBLY

- Slide square nut into base frame of roller conveyor or belt conveyor and fasten lateral guide
- adjust height and distance
- mount the lateral guide

## CLAMP SUPPORT 10

part no. 29.5052/0



### TECHN. DATA / ITEMS SUPPLIED

- 1.4301 / steel zinc plated
- Fastening kit
- Weight 0,0431 kg

### APPLICATIONS

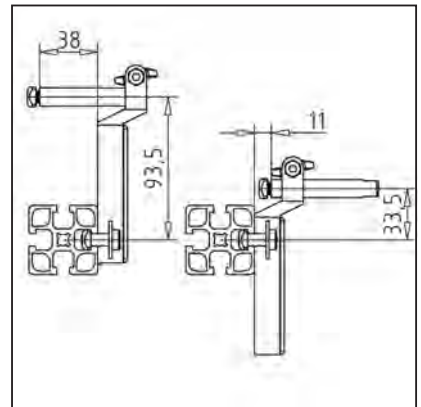
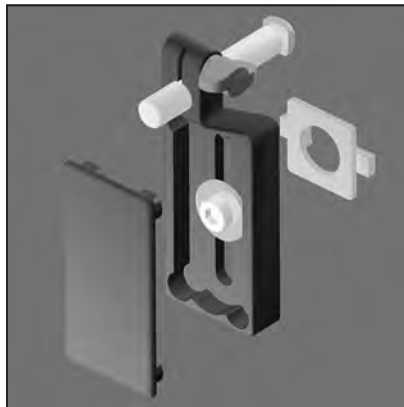
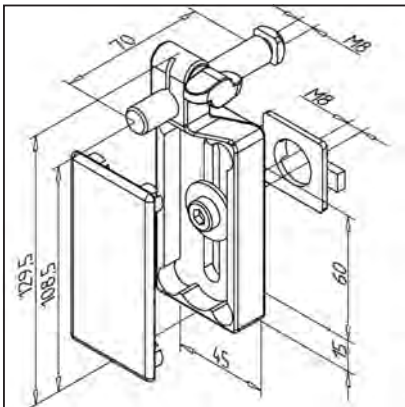
- Adjustable lateral guides for MiniTec belt conveyors
- Recommended distance between the lateral guides approx. 500 mm

### ASSEMBLY

- Mount on profile groove

## LATERAL GUIDE 70 SUPPORT

part no. 29.5025/0



### TECHN. DATA / ITEMS SUPPLIED

- PA, grey
- Distance bolt, stainless steel
- With fastening material steel, zinc plated
- Weight 0,288 kg

### APPLICATIONS

- Adjustable lateral guides for MiniTec belt conveyors
- We recommend: approx. 500 mm distance between the supports

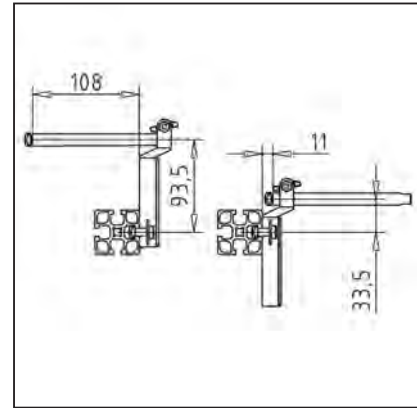
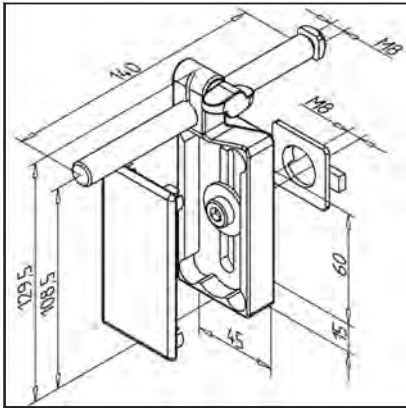
### ASSEMBLY

- Set the height and tighten the screws
- Mount the lateral guide
- Adjust lateral distance bolt



## LATERAL GUIDE 140 SUPPORT

part no. 29.5028/0



### TECHN. DATA / ITEMS SUPPLIED

- PA, grey
- Distance bolt, stainless steel
- With fastening material steel, zinc plated
- Weight 0,350 kg

### APPLICATIONS

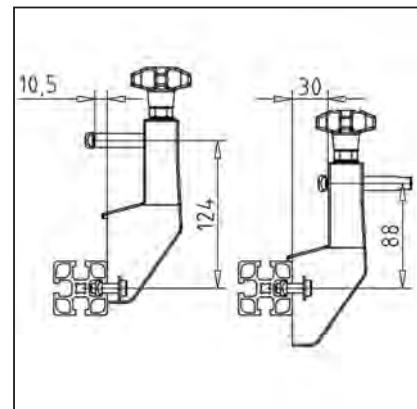
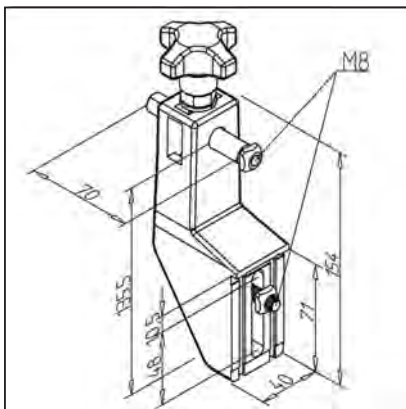
- Adjustable lateral guides for MiniTec belt conveyors
- We recommend: approx. 500 mm distance between the supports

### ASSEMBLY

- Set the height and tighten the screws
- Mount the lateral guide
- Adjust lateral distance bolt

## LATERAL GUIDE 70 SUPPORT S

part no. 29.5056/0



### TECHN. DATA / ITEMS SUPPLIED

- PA, grey
- Distance bolt: stainless steel
- Fastening kit
- Weight 0,2883 kg

### APPLICATIONS

- Adjustable lateral guide for MiniTec belt conveyors
- Recommended distance between the lateral guides approx. 500 mm

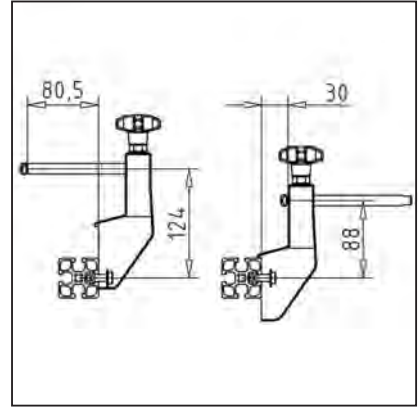
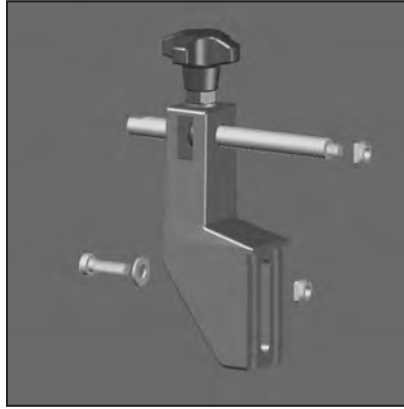
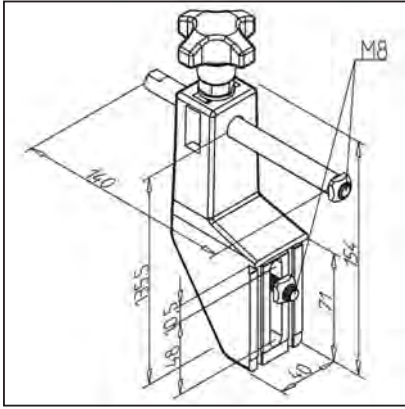
### ASSEMBLY

- Adjust height and tighten screws
- Mount lateral guide
- Adjust lateral distance bolt



## LATERAL GUIDE 140 SUPPORT S

part no. 29.5055/0



### TECHN. DATA / ITEMS SUPPLIED

- PA, grey
- Distance bolt: stainless steel
- Fastening kit
- Weight 0,350 kg

### APPLICATIONS

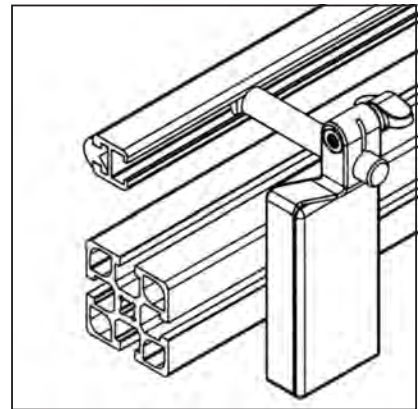
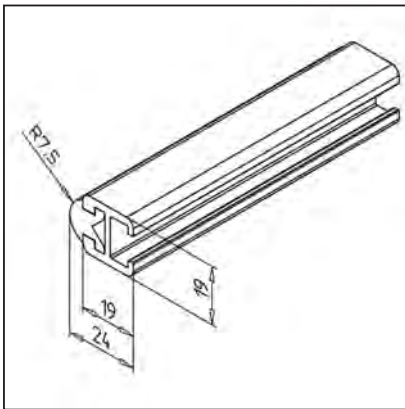
- Adjustable lateral guide for MiniTec belt conveyors
- Recommended distance between the lateral guides approx. 500 mm

### ASSEMBLY

- Adjust height and tighten screws
- Mount lateral guide
- Adjust lateral distance bolt

## LATERAL GUIDE

part no. 29.5034/0



### TECHN. DATA / ITEMS SUPPLIED

- Aluminium, E6/EV1
- Sliding profile PE
- Weight 0,551 kg/m
- Length 6 m

### APPLICATIONS

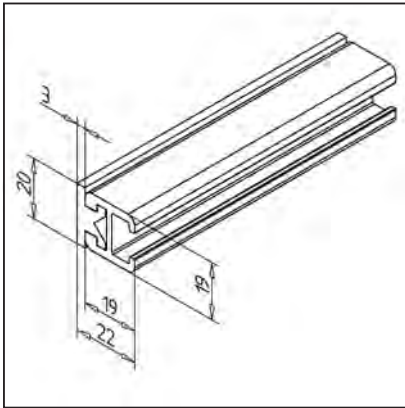
- Adjustable lateral guide for conveyors
- Recommended length: axial distance A + 40 mm

### ASSEMBLY

- Slide the M8 square nuts with position fixing into the groove
- Screw the lateral guide on the distance bolt
- suitable end cap **part no. 22.1180/0**

**LATERAL GUIDE F**

part no. 29.5049/0

**TECHN. DATA / ITEMS SUPPLIED**

- Aluminium, E6/EV1	
- slide profile, PE, natural	
- Weight	0,527 kg/m
- Length	6 m

**APPLICATIONS**

- adjustable lateral guidance for MiniTec chain conveyors, belt conveyors and roller conveyors

**ASSEMBLY**

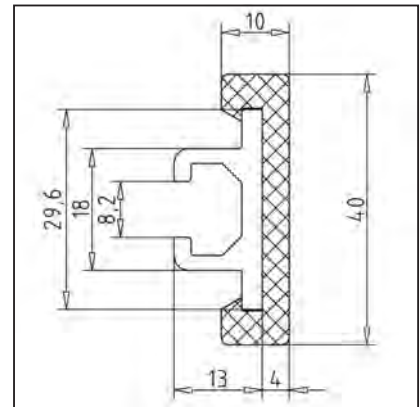
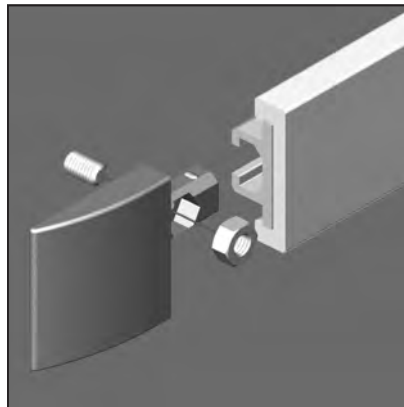
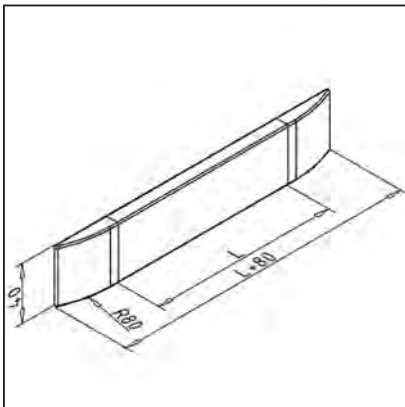
- slide square nut M08 (fastening kit) from lateral guide support into groove

- mount support to lateral guide and adjust it

- suitable end cap **part no. 22.1180/0**

**LATERAL 40 F GUIDE, WHITE**

part no. 29.5051/0

**TECHN. DATA / ITEMS SUPPLIED**

- Aluminium, E6/EV1	
- slide profile, PE, natural	
- 2 x slide PA, grey	
- Weight	0,645 kg/m
- Length max.	6 m
- Other colours and designs on request, e.g. green, black, grey, black antistatic	

**APPLICATIONS**

- adjustable lateral guidance for MiniTec chain conveyors, belt conveyors and roller conveyors

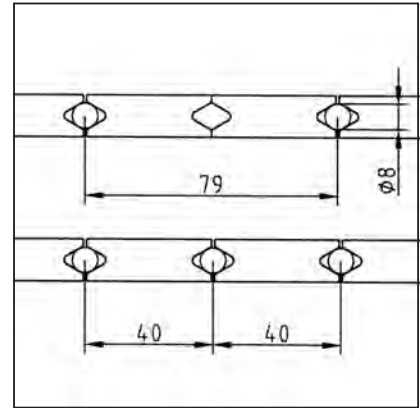
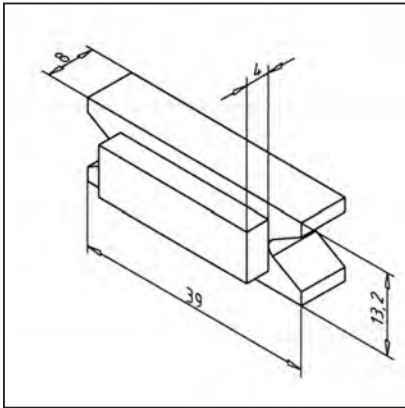
**ASSEMBLY**

- slide square nut M08 (fastening kit) from Lateral guide support into groove

- mount support to lateral guide and adjust it

## SPACER

part no. diverse



### TECHN. DATEN / ITEMS SUPPLIED

- Spacer 39, PP black, **part no. 22.1197/0**
- Spacer 44, PP black, **part no. 22.1198/0**
- For shaft  $\varnothing$  8 mm
- Weight 0,002 kg

### APPLICATIONS

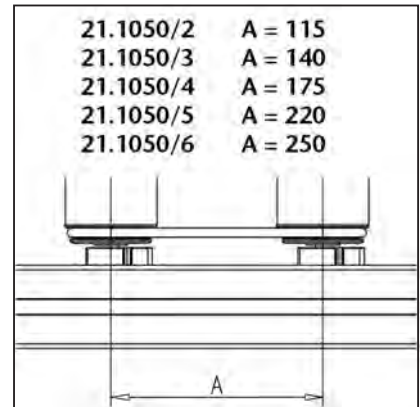
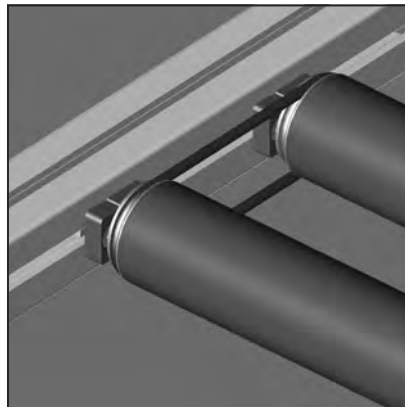
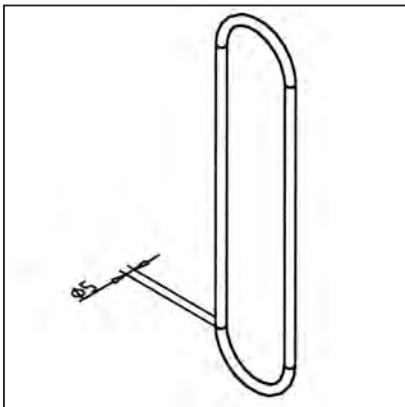
- For manufacturing roller conveyors with equal pitch spacing
- Suitable for all system grooves
- Possible pitch 40 und 79

### ASSEMBLY

- Push in groove, alternating spacer and conveyor roller
- Clamp the first and the last spacer

## DRIVING BELT NBR

part no. 21.1050/1



### TECHN. DATA / ITEMS SUPPLIED

- NBR, black
- $\varnothing$  = 5 mm
- A = 80 mm
- For other lengths see selection table on the right

### APPLICATIONS

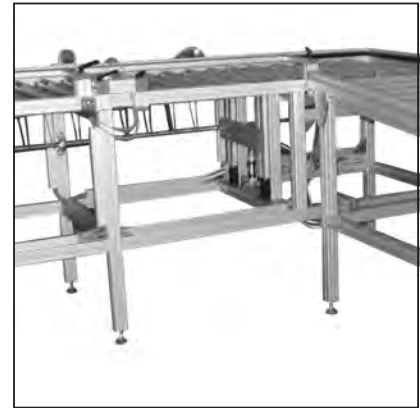
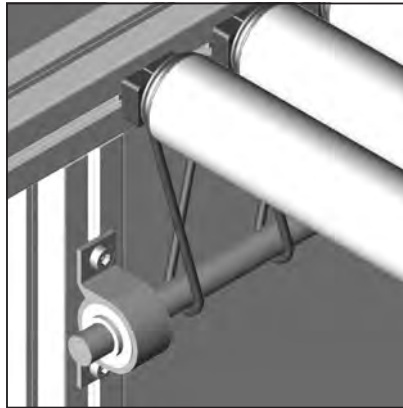
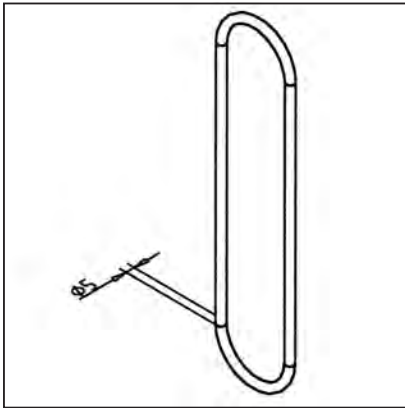
- Attachment of transport rollers at insufficient places via groove in bearing assembly from roller to roller

### ASSEMBLY

- Insert belt in groove of the first roller and clip roller in the bearing
- Strip belt over second roller and clip in roller support

## DRIVING BELT PU

part no. 21.1050/7



### TECHN. DATA / ITEMS SUPPLIED

- PU, green	
- $\varnothing = 5$ mm	
- Length	550 mm

### APPLICATIONS

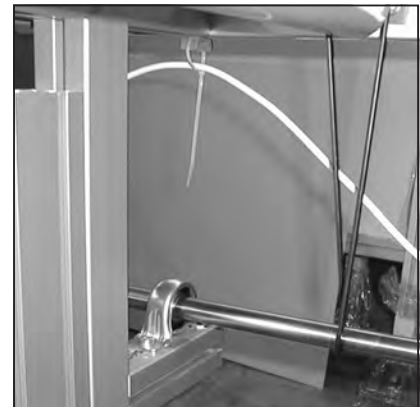
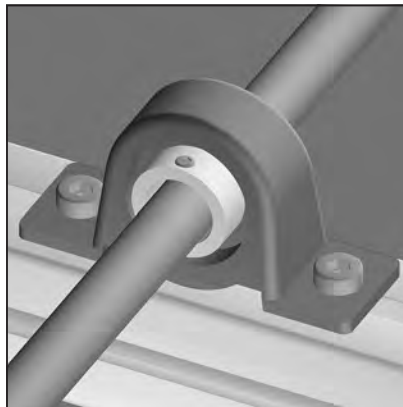
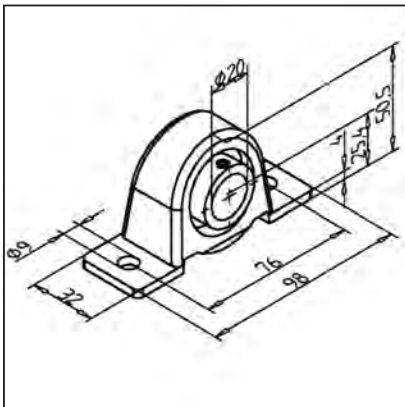
- Drive of transport rollers via groove in bearing assembly

### ASSEMBLY

- Strip driving belt over driving shaft
- Lay driving belt in groove of transport
- Bind rollers at insufficient places with driving belt NBR **part no. 21.1050/1** to **part no. 21.1050/6**

## SUPPORT BEARING 20

part no. 50.0128/0



### TECHN. DATA / ITEMS SUPPLIED

- Housing, steel, zinc plated	
- Fastening kit	
- Bore $\varnothing$ 20 mm	
- stat. Co =	6350 N
- dyn. C =	13000 N
- Weight	0,19 kg

### APPLICATIONS

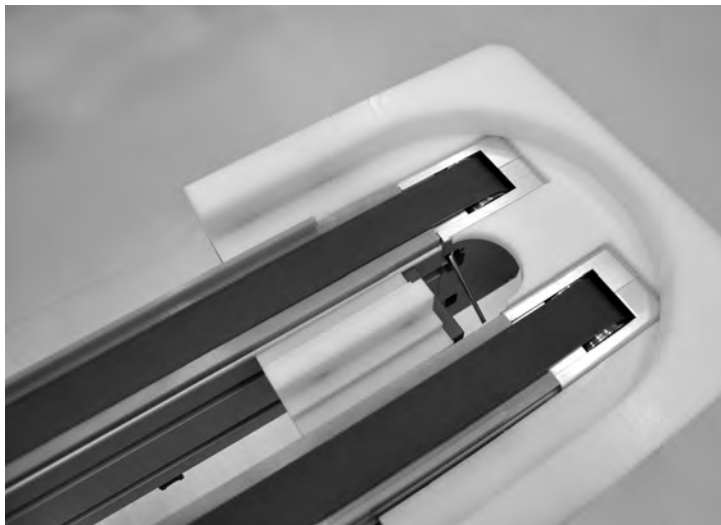
- Driving of roller-conveyors with driving belts

### ASSEMBLY

- With fastening kit
- Lead shaft trough bearing and secure with set screw

## TRANSFER SYSTEM TSG

## MODULAR, ECONOMICAL, STURDY



Flexibility in production is gaining more and more importance. Fast and easy adaptation to product development and changed market demands are a decisive factor for success. The TSG transfer system is in keeping with this trend. All the advantages of our construction kit system for machine construction and the precision of our linear system are used in this system. The TSG is completely compatible with the tried and tested MiniTec profile system with workstations, protective devices, conveyor systems, handling equipment, etc. Manual stations and complex automated processes can be achieved cost-effectively with the TSG transfer system.

The TSG consists of standardized modules that can be combined in any number of ways to create tailor-made systems. Robust 25 T5 timing belts with steel reinforcement allow continuous use without the need for re-tensioning. The TSG transfer systems can be supplied as modules for assembly by the customer or as ready-to-use systems including commissioning. We can also take care of the design and layout of the system in accordance with customer specifications. For simple requirements, the checklists in the appendix to this catalog can be used.

### Technical Data

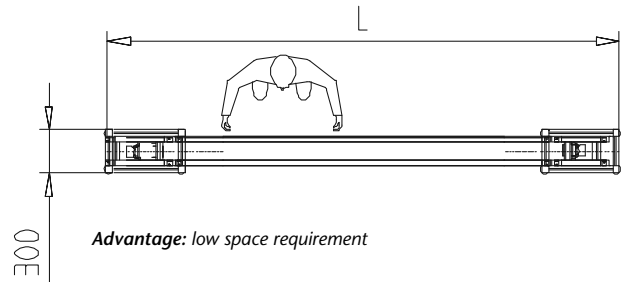
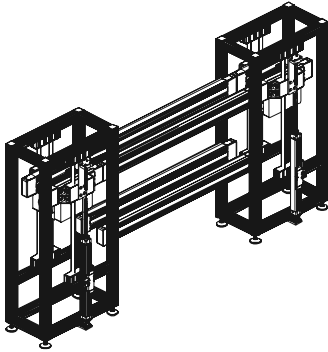
<b>Speed:</b>	11 m/min
<b>Motor nominal power:</b>	120 W
<b>Nominal voltage</b>	
<b>(without Frequency transformer):</b>	400 V/50 Hz
<b>Nominal voltage</b>	
<b>(with Frequency transformer):</b>	230 V/50 Hz
<b>Nominal current:</b>	0,29 A
<b>Drive speed:</b>	64 1/min
<b>Drive torque:</b>	13 Nm
<b>Distributed load:</b>	1710 N
<b>Ambient temperature:</b>	0° bis 50°C

Other speeds are available from 5.5 to 21 m/min. The maximum distributed load is 1710 N. At speeds greater than 11 m/min the maximum distributed load is reduced.

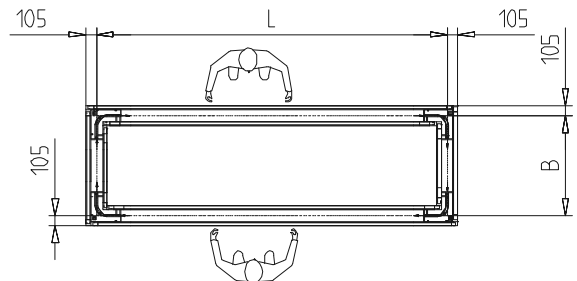
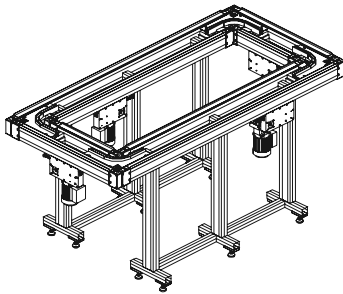
TRANSFERSYSTEM TSG

SYSTEM CONCEPTS

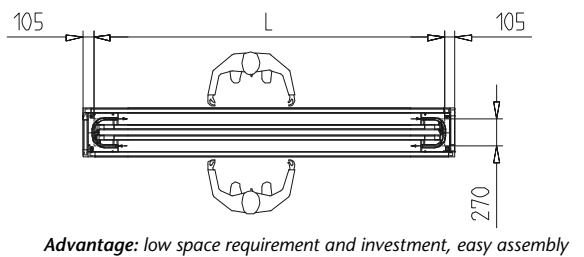
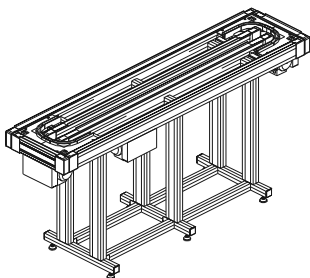
Vertical circuit



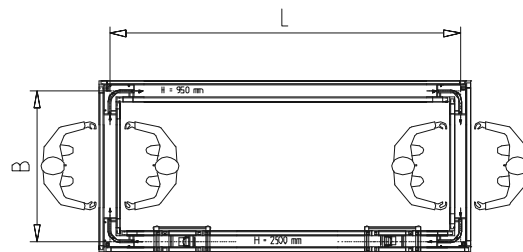
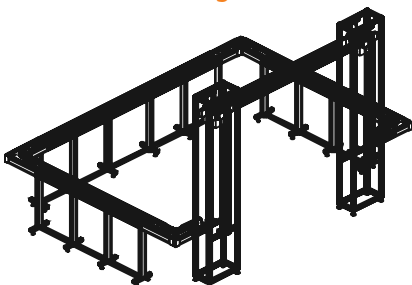
Basic loop 90°



Compact circuit 180°



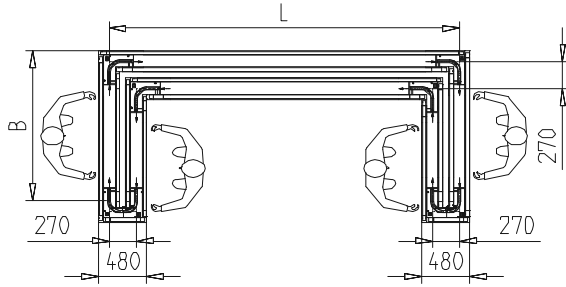
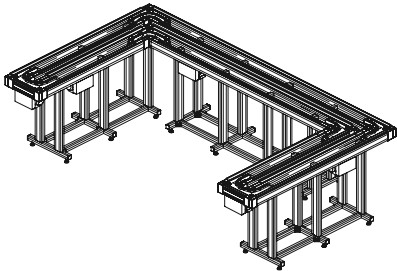
U-circuit with lifting station



# TRANSFERSYSTEM TSG

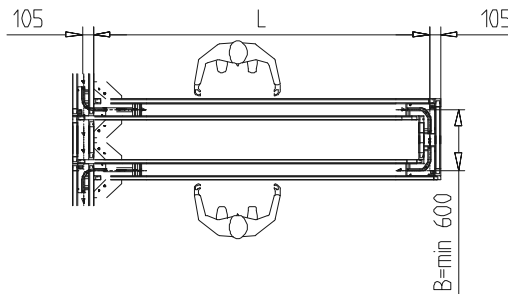
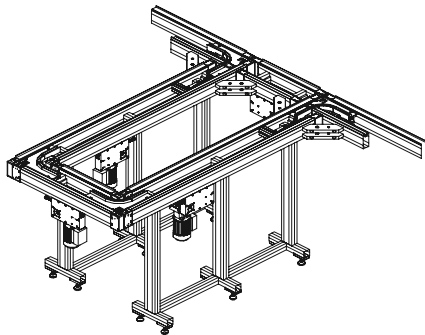
## SYSTEM CONCEPTS

### Double-U circuit



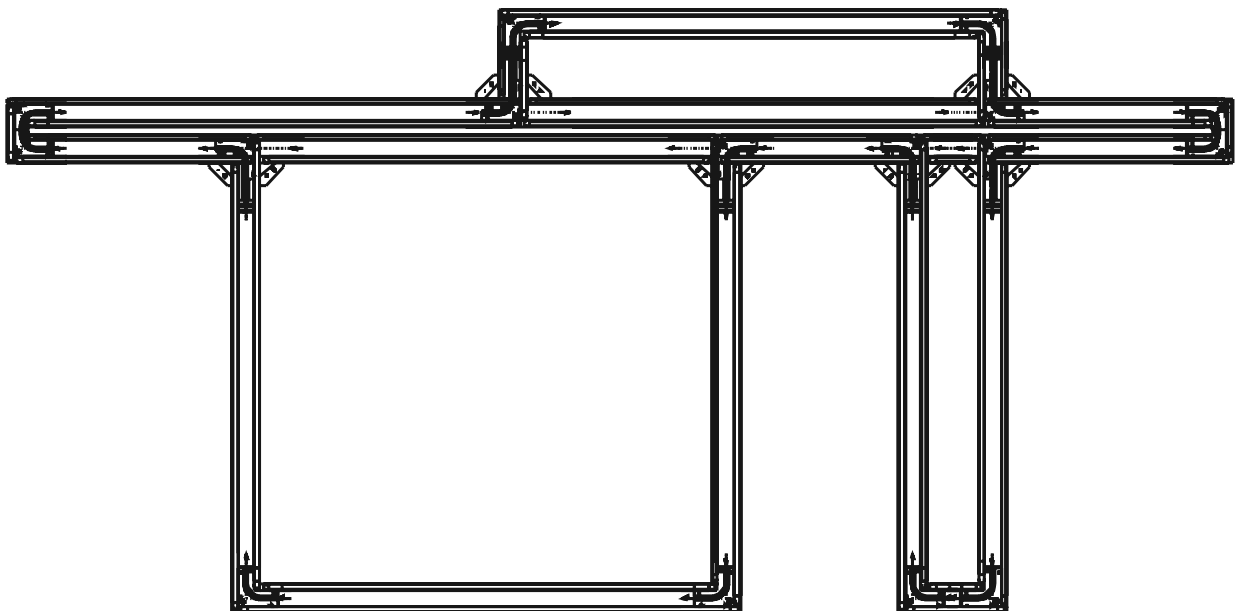
*Advantage: optimal use of area, accessibility to entire conveyor line*

### Shunt



*Advantage: Diversion from main cycle, great flexibility for adaptation and capacity*

### Combination of different variants

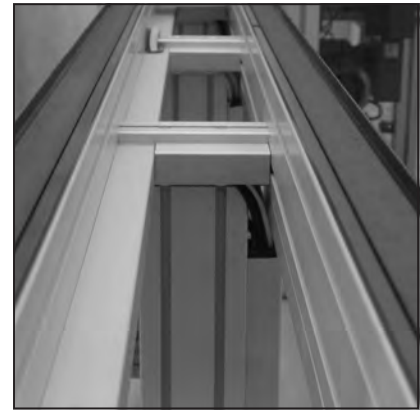
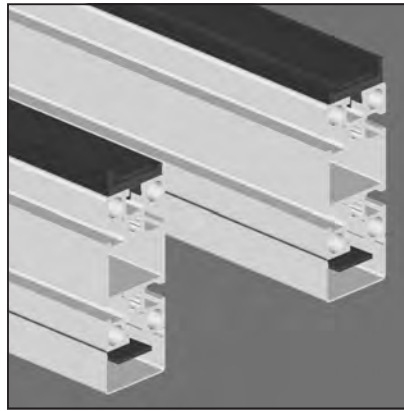
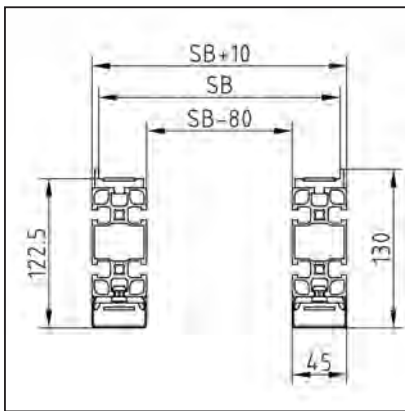


*Advantage: optimal use of space, accessibility to entire conveyor line*



**BASIC LINE**

part no. 43.0020/0

**TECHN. DATA / ITEMS SUPPLIED**

- Profile 45 x 90 anodized, E6/EV1 with 4 integrated pneumatic lines	
- Slide strip, PE, black, highly abrasion resistant, Lmax: 2 m	
- Cover profile for belt with clip attachment	
- Track width: 200 mm	
- Line length according to specification	
- Ix =	112,823 cm <sup>3</sup>
- Iy =	28,526 cm <sup>3</sup>
- Weight	3,667 kg/m
- Line length min.	270 mm
- Line length max.	4000 mm

**APPLICATIONS**

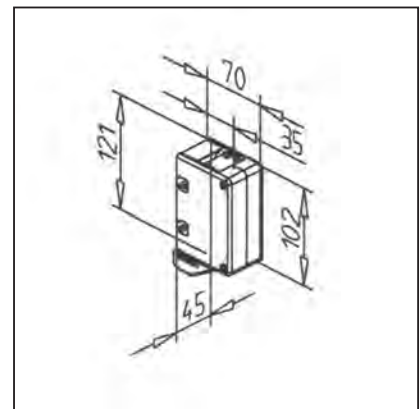
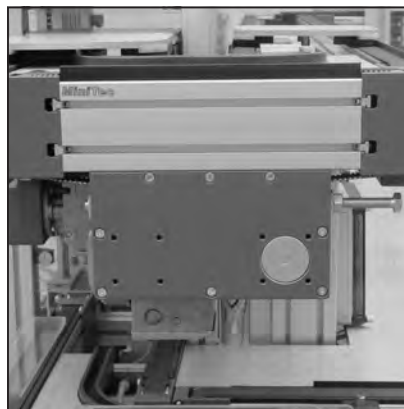
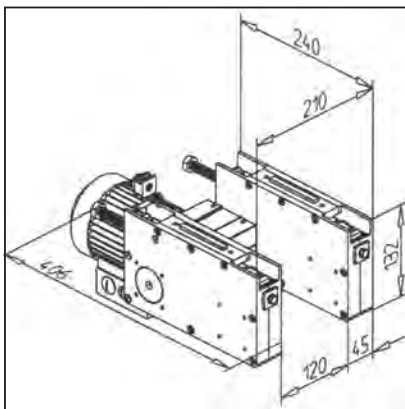
- Use in all TSG transfer systems
- Max. line load depends on drive concept
- When exceeding the total load per section, please divide into several sections

**ASSEMBLY**

- Bolt basic line with supports
- After attachment of drive unit, diversions and timing belts, clip cover profile onto underside of profile
- Free profile grooves for attaching stoppers, sensors, switches, ect. With standard screws

**BASIC MODULE 200**

part no. 43.0010/0

**TECHN. DATA / ITEMS SUPPLIED**

- Drive unit with integrated belt tensioners comprising 2 belt drives with connecting shaft and 1 motor	
- 4 timing belt reverse units for 25 T5 timing belt	
- Track width	200 mm

**APPLICATIONS**

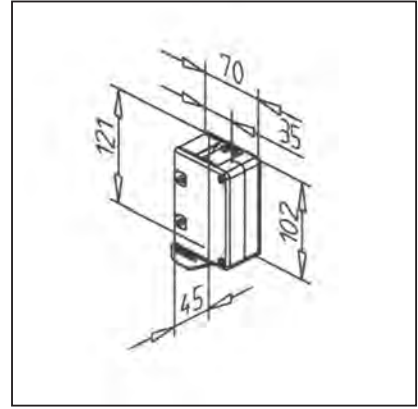
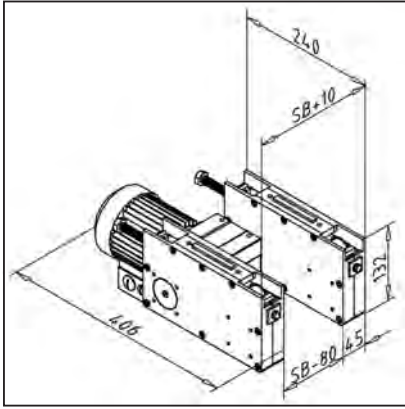
- All TSG transfer systems with 25 T5 timing belt

**ASSEMBLY**

- Remove drive unit cover
- Screw drive unit securely with attachment set centrally on the bottom of the basic line
- Remove covers from reverse units
- Attach reverse units with profile connectors to ends of the basic line
- Insert timing belt
- Install cover of drive units and reverse units
- Tighten timing belt
- Easy re-tightening of timing belt at drive unit, without prior disassembly, also during operation

## BASIC MODULE VARIABLE

part no. 43.0011/0



### TECHN. DATA / ITEMS SUPPLIED

- Drive unit with integrated belt tensioners comprising 2 belt drives with connecting shaft and 1 motor

---

- 4 timing belt reverse units for 25 T5

---

- **Please specify the desired track width**

### APPLICATIONS

- Transfer systems with deviant track width

---

- Width according to dimension L of basic line

### ASSEMBLY

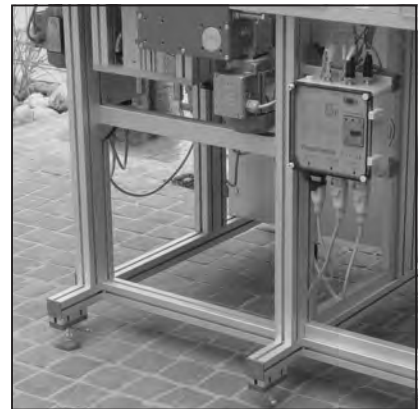
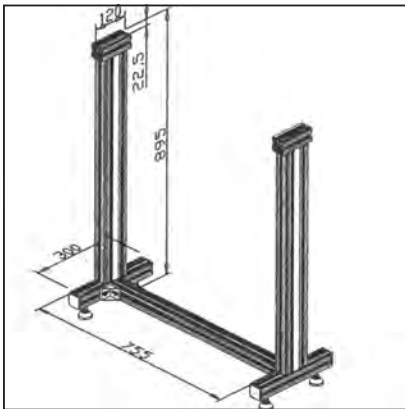
- Remove drive unit cover
- Screw drive unit securely with attachment set centrally on the bottom of the basic line

---

- Remove covers from reverse units
- Attach reverse units with profile connectors to ends of the basic line
- Insert timing belt
- Install cover of drive units and reverse units
- Tighten timing belt
- Easy re-tightening of timing belt at drive unit, without prior disassembly, also during operation
- Base frames, 90° units and workpiece tray on request

## BASIC BASEFRAME 200

part no. 43.0030/0



### TECHN. DATA / ITEMS SUPPLIED

- Profile 45 x 45 F, completely assembled

---

- With fastening kit for connection with basic line

---

- 4 height-adjustable feet

---

- Create longer lines with additional add-on supports

---

- Height 895 mm for standard working height of 950 mm

---

- Length 755 mm for line length of 1000 mm

### APPLICATIONS

- Substructure for transfer systems with standard working height of 950 mm

---

- Suitable for track width 200

### ASSEMBLY

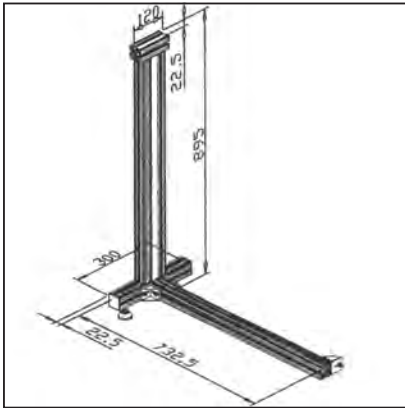
- Assemble transverse profile with mounting angles at lower profile groove between basic line

---

- Secure to floor with angles and floor anchors

## EXTENSION BASEFRAME 200

part no. 43.0040/0



### TECHN. DATA / ITEMS SUPPLIED

- Profile 45 x 45 F, completely assembled
- With fastening kit for connection with basic line and base support
- 2 adjustable feet
- Height 895 mm for standard working height of 950 mm

### APPLICATIONS

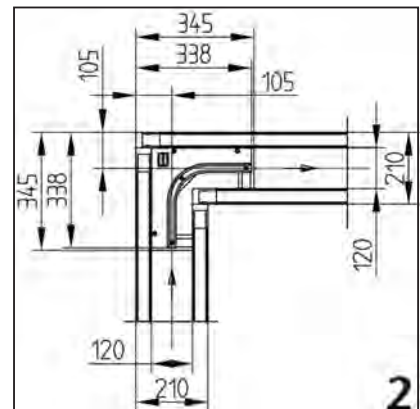
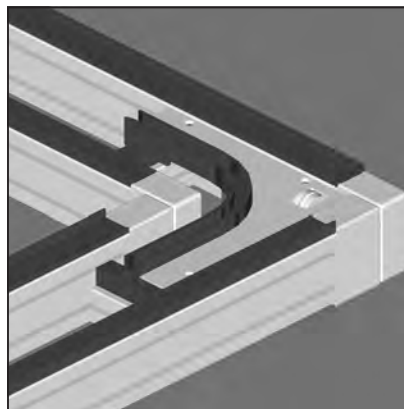
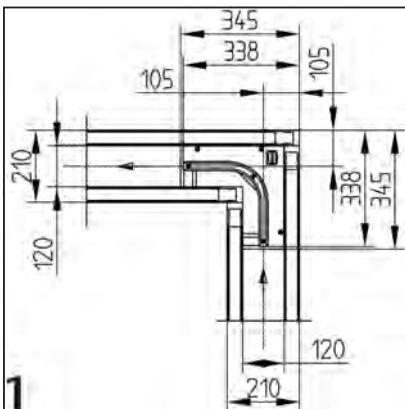
- Substructure for transfer systems with standard working height of 950 mm
- Suitable for track width 200

### ASSEMBLY

- Create lengthwise connection with base support
- Assemble transverse profile L= 120 mm with attachment angles at lower profile groove between basic line
- Secure to floor with angles and floor anchors

## CURVE 90° 200

part no. 43.0050/0



### TECHN. DATA / ITEMS SUPPLIED

- 1 Traverse
- Friction wheel with drive roller
- Curvilinear guide made of PE
- Cover , AL
- Fastening kit

### APPLICATIONS

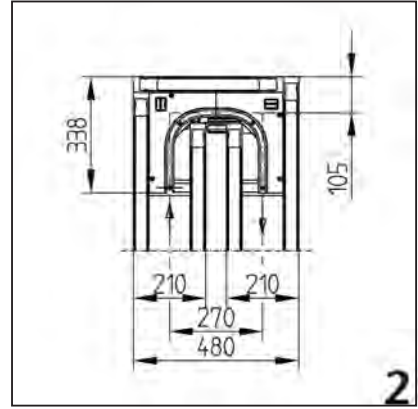
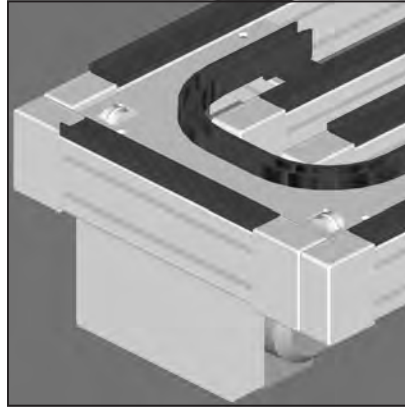
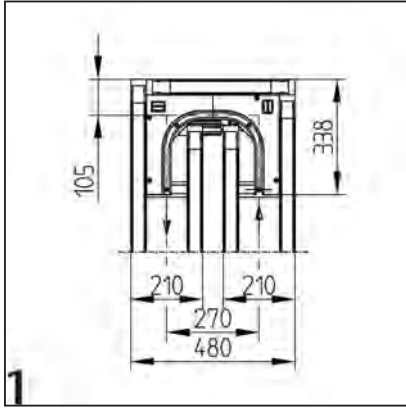
- No separation before the curve required
- Manufacture of compact transfer systems, shunts and combined system concepts
- Suitable for track width 200

### ASSEMBLY

- Install friction wheel at timing belt reverse unit (on the feed side in transport direction)
- Assemble corners with curvilinear guide
- Screw on cover
- Through appropriate assembly design 1, alternative design 2 can be produced

## CURVE 180° 200

part no. 43.0060/0



### TECHN. DATA / ITEMS SUPPLIED

- 1 transverse line with drive module, motor assembled
- Corners 180 with curvilinear guide of PE
- 2-part cover
- Friction wheel drive roller
- Fastening kit

### APPLICATIONS

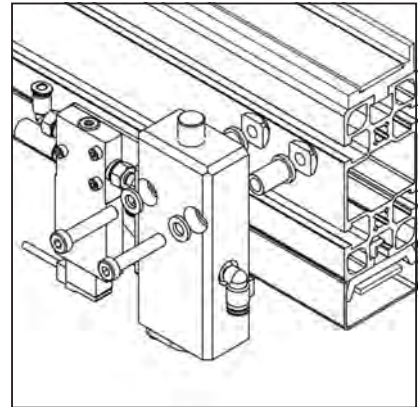
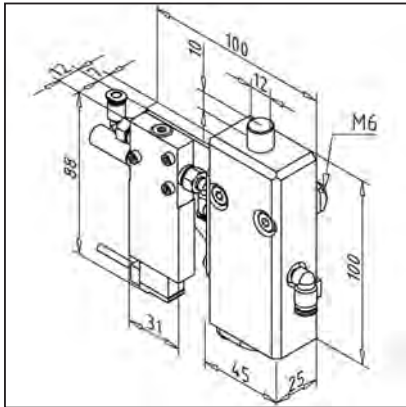
- No separation before the curve required
- Manufacture of compact transfer systems, shunts and combined system concepts
- Suitable for track width 200

### ASSEMBLY

- Install friction wheel at timing belt reverse unit (on the feed side in transport direction)
- Assemble corner 180 with curvilinear guide
- Install transverse line with assembled drive module
- Fasten on cover
- Through appropriate assembly design 1, alternative design 2 can be produced

## STOPPER

part no. 43.1510/0



### TECHN. DATA / ITEMS SUPPLIED

- Pneumatically actuated
- PE housing, black
- Stop pins  $\varnothing$  12 mm of tempered stainless steel
- Cylinder and valves integrated
- Prepared for connection to internal air supply
- Fastening kit

### APPLICATIONS

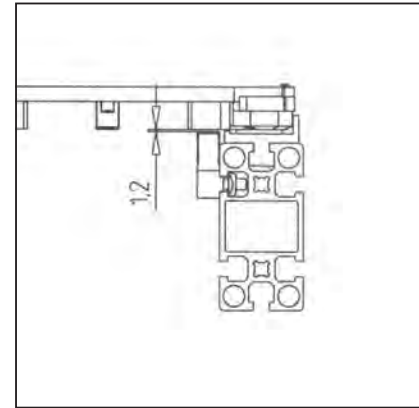
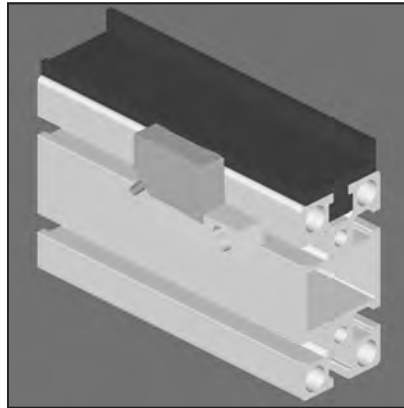
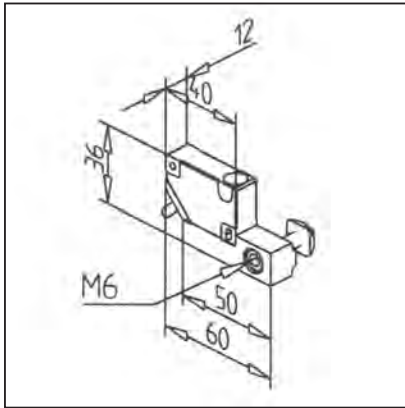
- Separation of workpiece trays before infeed and discharge, lift or lift stations
- Control of priorities in WT flow

### ASSEMBLY

- Screw onto inside of transport line at upper profile groove
- Make connection to air supply
- Position can be adjusted horizontally
- Separation of tray's by combination of 2 stoppers

## PROXIMITY SWITCH

part no. 43.0090/0



### TECHN. DATA / ITEMS SUPPLIED

- inductive proximity switch design PNP "closer"
- Switching distance 4 mm
- Cubic, plastic PBTp
- Operating voltage (V)     Okt 36 DC
- Continuous current load     250 mA
- protection degree     IP 67
- Fastening kit

### APPLICATIONS

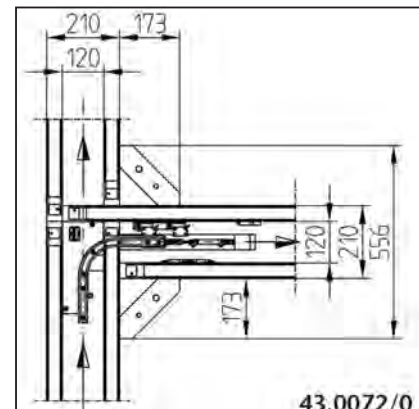
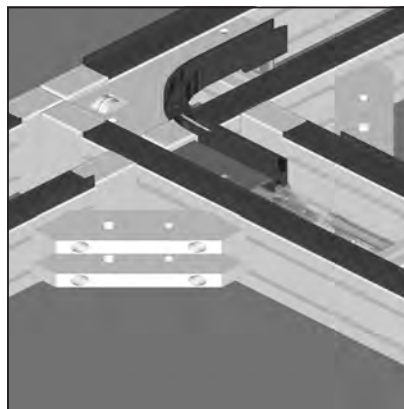
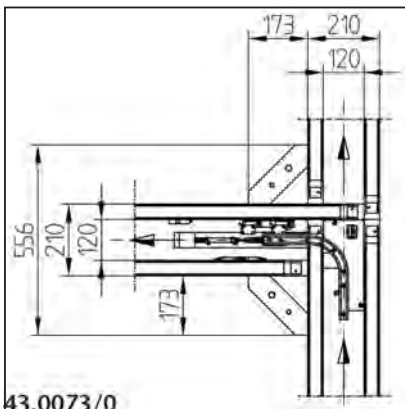
- Switching operations
- Control of system states bevor lift stations and stoppers

### ASSEMBLY

- Screw onto inside of transport line at upper profile groove
- Position can be adjusted horizontally

## SWITCH UNIT OUT 200

part no. 43.0073/0



### TECHN. DATA / ITEMS SUPPLIED

- Pneumatically actuated
- Carrier profile 45 x 45
- WT-guide 2 parts, PE
- Cover AL
- Friction wheel with drive roller
- 2 Pneumatic cylinders
- 4 corners 180
- Fastening kit

### APPLICATIONS

- Divert Workpiece trays from basic circuit to secondary lines
- Separation of work procedures from machine cycle
- Inserting further processing stations
- Forming storage units
- When discharge is active, WT is diverted from the line by 90° into a transverse transport. The orientation of the WT is not changed
- If the chute is inactive, the WT remains in the basic circuit
- Status query of the chute via the sensor
- suitable for track width 200

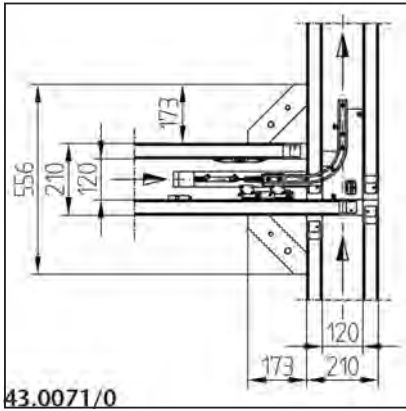
### ASSEMBLY

- 1) Switch unit left **part no. 43.0073/0**
- 2) Switch unit right **part no. 43.0072/0**
- Install friction wheel on belt return unit (in transport direction, on the longer side of the line)
- Install pneumatic cylinder
- Attach curve guide
- Screw on cover
- Connect transverse transport with corners and align
- Connect pneumatic cylinder to compressed air supply

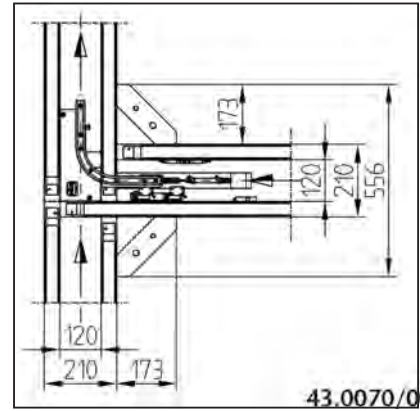
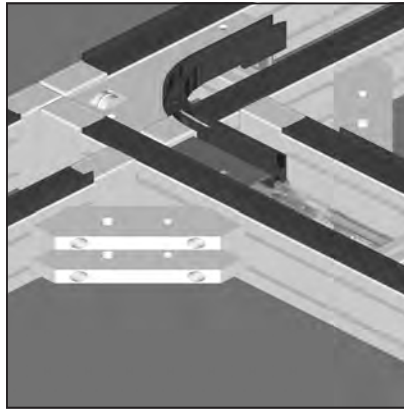


## SWITCH UNIT IN 200

part no. 43.0071/0



43.0071/0



43.0070/0

### TECHN. DATA / ITEMS SUPPLIED

- Pneumatically actuated
- Carrier profile 45 x 45
- WT-guide 2-piece, PE
- Cover PE
- Friction wheel with drive roller
- 2 Pneumatic cylinders
- 4 corners 180
- Fastening kit

### APPLICATIONS

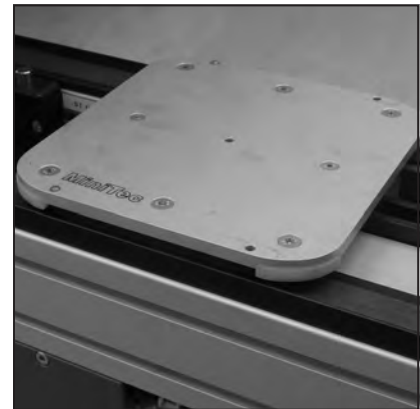
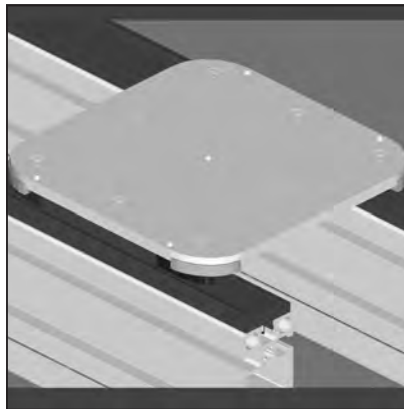
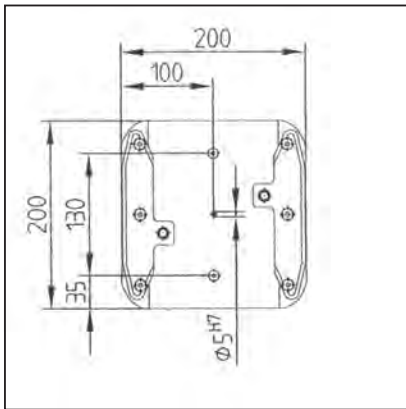
- Feed WHs from secondary lines back into the basic circuit.
- Separation of work procedures from machine cycle
- Inserting further processing stations
- Forming storage units
- If infeed is active, the WH is diverted from the secondary line to the basic circuit
- The orientation of the WH is not changed. Status query of the chute via the sensor
- suitable for track width 200

### ASSEMBLY

- 1) Switch unit left **part no. 43.0071/0**
- 2) Switch unit right **part no. 43.0070/0**
- Install friction wheel on belt return unit (in transport direction, on the longer side of the line)
- Install pneumatic cylinder
- Attach curve guide
- Screw on cover
- Connect transverse transport with corners and align
- Connect pneumatic cylinder to compressed air supply

## WORKPIECE TRAY 200

part no. 43.1000/0



### TECHN. DATA / ITEMS SUPPLIED

- Carrier plate Al, progressed on all sides and anodized with centering hole 5H7
- 4 positioning pins, st
- Shoes of highly abrasion-resistant PE, with integrated stop for stopper
- 2 damping pins, st, for proximity
- Size 200 x 200 mm
- Load max. 100 N
- Weight 1 kg

### APPLICATIONS

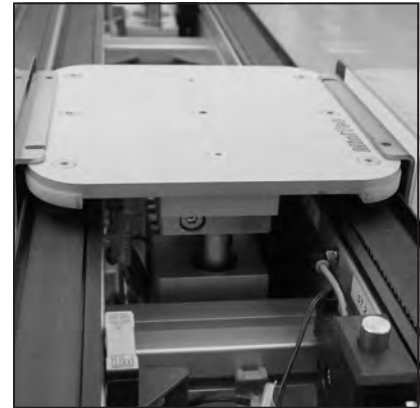
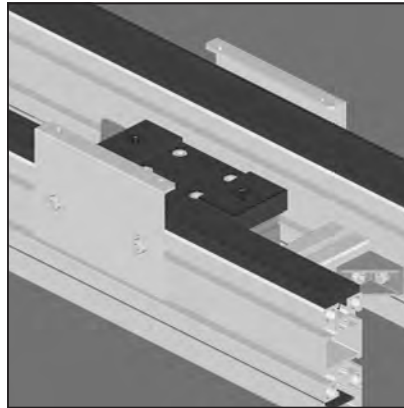
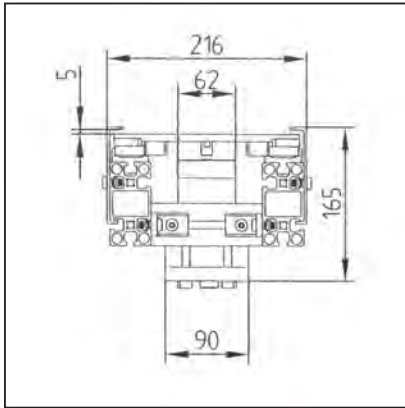
- Holding workpieces, jigs, identification, and data storage systems

### ASSEMBLY

- Standard-WTs are delivered without holder holes
- Attachment holes for workpieces, mechanisms, and identification systems are created according to customer specifications

## POSTIONER 200

part no. 43.0110/0



### TECHN. DATA / ITEMS SUPPLIED

- Ready-for-use module with doubledacting pneumatic cylinder and valve
- WT receptacle mounted
- 2 overhead grip strips, galvanized steel
- Load max. 1000 N
- Positioning precision  $\pm 0,03$  mm
- Lift height belt 5 mm

### APPLICATIONS

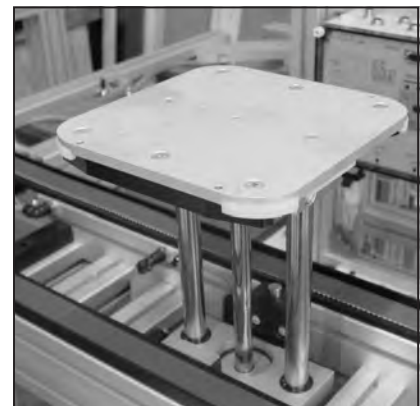
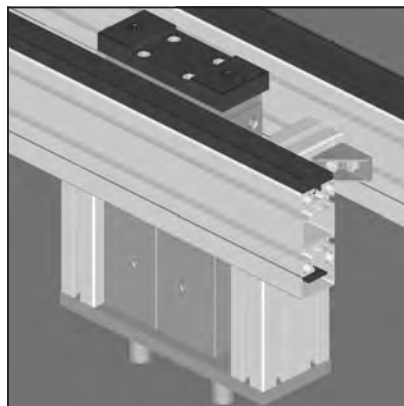
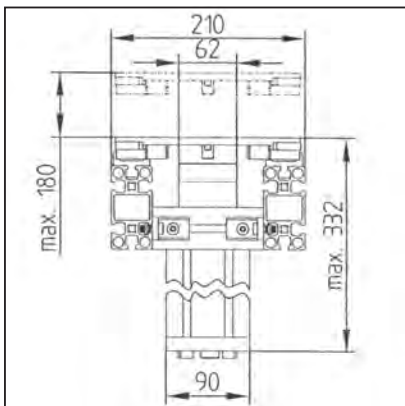
- Exact positioning of workpieces on the workpiece tray for processing or inspection

### ASSEMBLY

- Attach lift unit to line profiles with included Fastening kit
- Screw overhead grip strips to outside of line, align exactly with positioner
- Make connection to internal compressed air supply
- Suitable stopper **part no. 43.1510/0** and proximity switch **part no. 43.0090/0**

## LIFT STATION 200

part no. 43.0100/0



### TECHN. DATA / ITEMS SUPPLIED

- Ready-for-use module with doubledacting pneumatic cylinder and valve
- WT receptacle mounted
- Lift height: Can be set from 5 mm to 180 mm above belt
- Load max. 1000 N

### APPLICATIONS

- Positioning of workpieces on the workpiece tray for processing or inspection

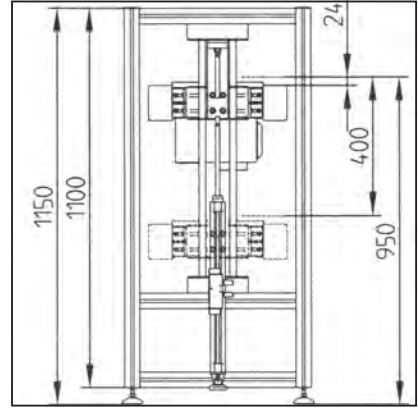
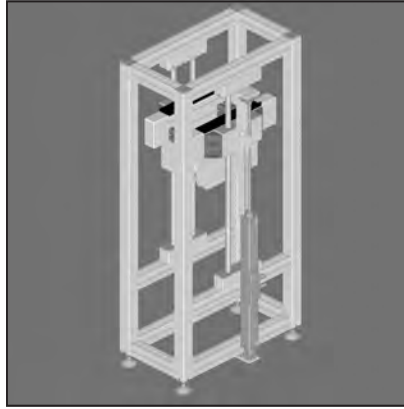
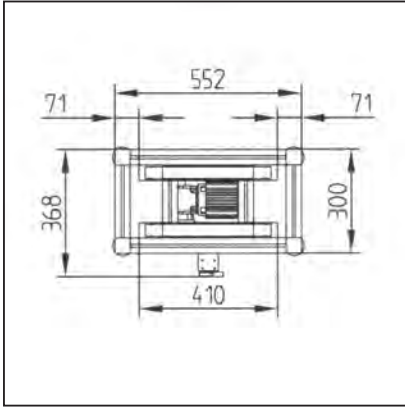
### ASSEMBLY

- Attach lift station to line profiles with included Fastening kit
- Make connection to internal compressed air supply
- Suitable stopper **part no. 43.1510/0** and proximity switch **part no. 43.0090/0**



## ELEVATOR STATION 200

part no. 43.0080/0



### TECHN. DATA / ITEMS SUPPLIED

- Ready-for-use assembled module according to customer specification
- Frame structure profiles 45 x 45
- Frame installation off construction profiles 45 x 45
- on skid mounted, powered dual track road
- Skid proceed with double-acting pneumatic cylinder
- Stable guidance of the skid with Ø 20 mm precision shafts and linear units LB series
- Lift height variable according to customer specification
- Load max. 480 N

### APPLICATIONS

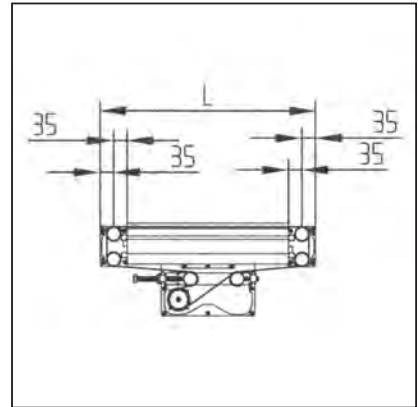
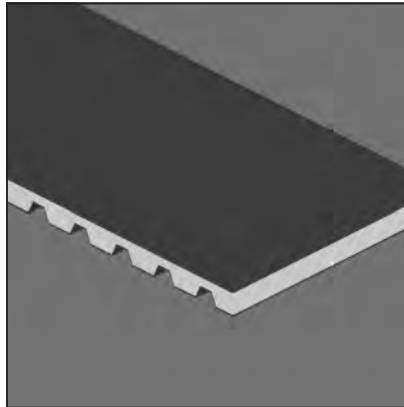
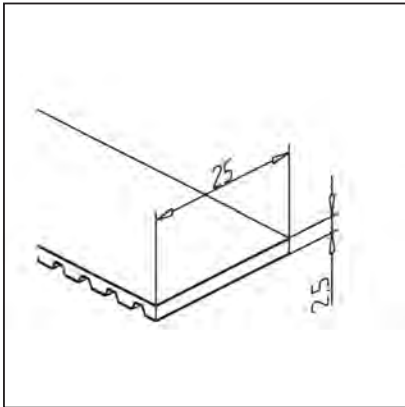
- Transport rollers at any length for driven or non-driven roller conveyors

### ASSEMBLY

- Please indicate needed tube length
- Align lift station with transport levels

## TIMING BELT

part no. 43.1411/0



### TECHN. DATA / ITEMS SUPPLIED

- Endless belt, reinforced with steel insert
- Covered with plastic fabric on both sides to improve sliding characteristics and reduce friction
- Colour: green
- Applications

### APPLICATIONS

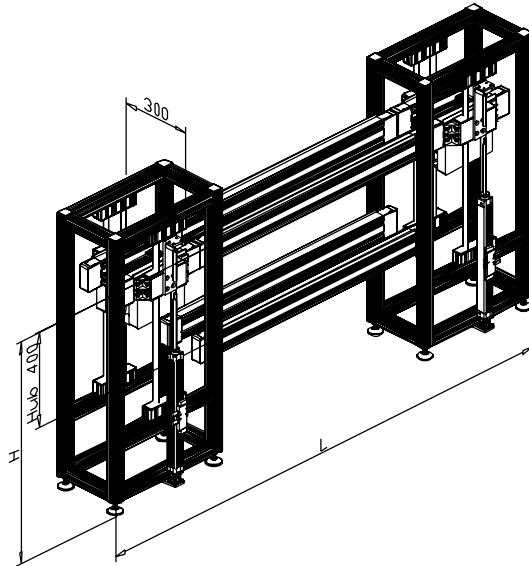
- All transfer systems TSG
- Calculation formula for timing belt length:
- Total =  $(L - 70) \times 2 + 473$  mm, round up 5 mm

### ASSEMBLY

- PVC, grey
- Remove lower belt cover (clip lock)
- Remove cover of drive unit and timing belt reverse units
- Insert belt
- Install cover and belt cover
- Tighten timing belt

TRANSFERSYSTEM TSG

REQUEST VERTICAL CIRCUIT TSG 200



Dimension L  mm

Working height H (WT-Upper edge)  mm

Number of stoppers  Pieces

Number of positioners  Pieces

Number of elevator stations  Pieces

Direction of transport  right  left

Speed  m/min

Frequency transformer  yes  no

Controller

Number of sensors  Pieces

**Contact details**

Company   Please call me back

Contact person   Please send me an offer

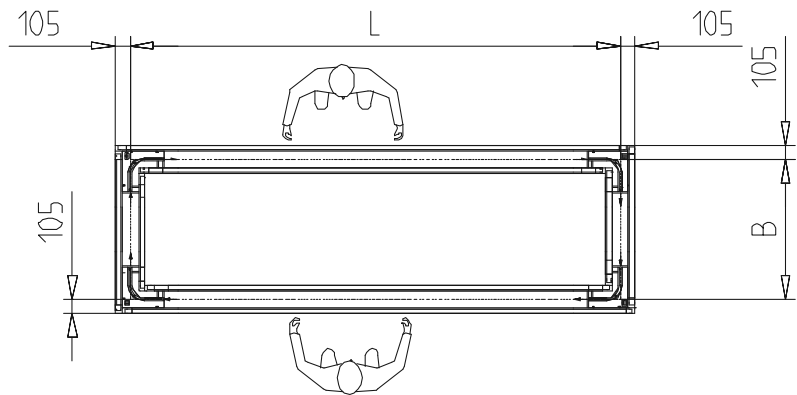
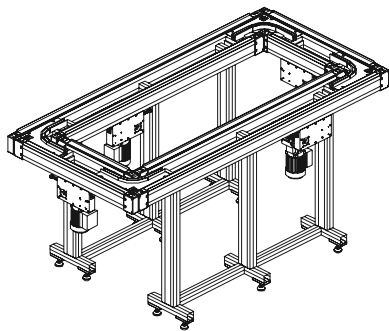
Phone no.

Fax no.

E-Mail

# TRANSFERSYSTEM TSG

## REQUEST BASIC CIRCUIT 90° TSG 200



Dimension L x B  mm

Working height H (WT-Upper edge)  mm

Number of stoppers  Pieces

Number of positioners  Pieces

Number of elevator stations  Pieces

Direction of transport  right  left

Speed  m/min

Frequency transformer  yes  no

Controller

Number of sensors  Pieces

**Contact details**

Company   Please call me back

Contact person   Please send me an offer

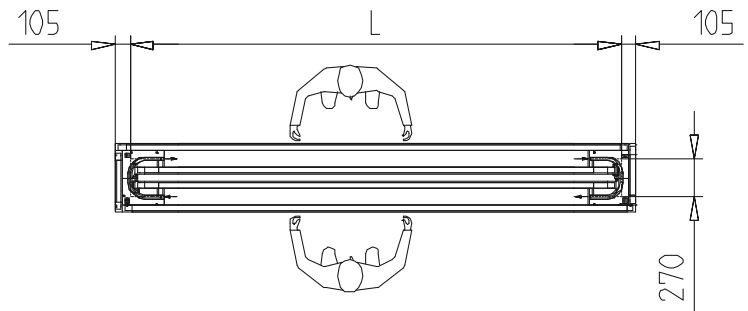
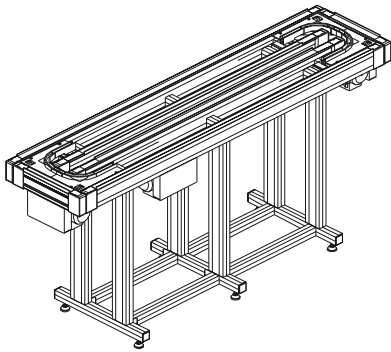
Phone no.

Fax no.

E-Mail

TRANSFERSYSTEM TSG

REQUEST COMPACT CIRCUIT 180° TSG 200



Dimension L x B  mm  mm

Working height H (WT-Upper edge)  mm

Number of stoppers  Pieces

Number of positioners  Pieces

Number of elevator stations  Pieces

Direction of transport  right  left

Speed  m/min

Frequency transformer  yes  no

Controller

Number of sensors  Pieces

Contact details

Company   Please call me back

Contact person   Please send me an offer

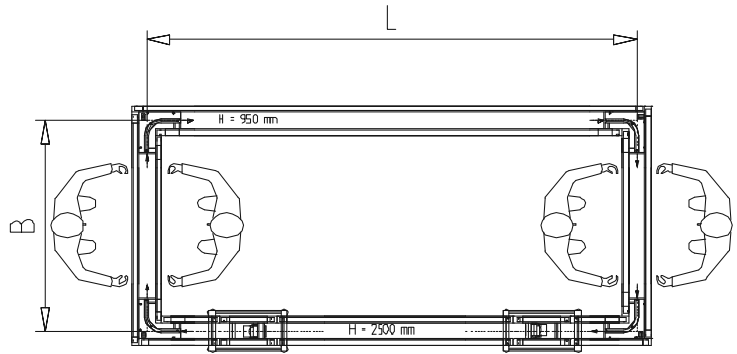
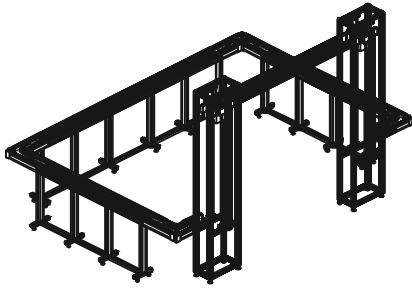
Phone no.

Fax no.

E-Mail

# TRANSFERSYSTEM TSG

## REQUEST U-CIRCUIT WIHT ELEVATOR STATIONS TSG 200



Dimension L x B  mm

Working height H (WT-Upper edge)  mm

Number of stoppers  Pieces

Number of positioners  Pieces

Number of elevator stations  Pieces

Direction of transport  right  left

Speed  m/min

Frequency transformer  yes  no

Controller

Number of sensors  Pieces

**Contact details**

Company   Please call me back

Contact person   Please send me an offer

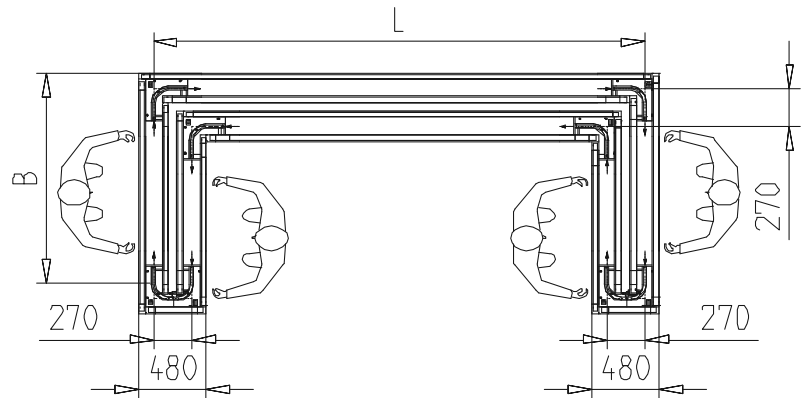
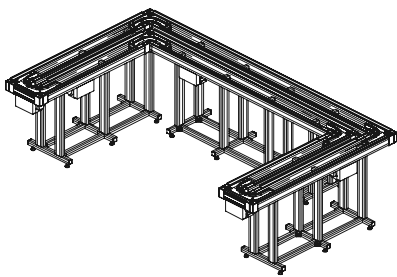
Phone no.

Fax no.

E-Mail

TRANSFERSYSTEM TSG

REQUEST DOUBLE-U-CIRCUIT TSG 200



Dimension L x B  mm  mm

Working height H (WT-Upper edge)  mm

Number of stoppers  Pieces

Number of positioners  Pieces

Number of elevator stations  Pieces

Direction of transport  right  left

Speed  m/min

Frequency transformer  yes  no

Controller

Number of sensors  Pieces

Contact details

Company   Please call me back

Contact person   Please send me an offer

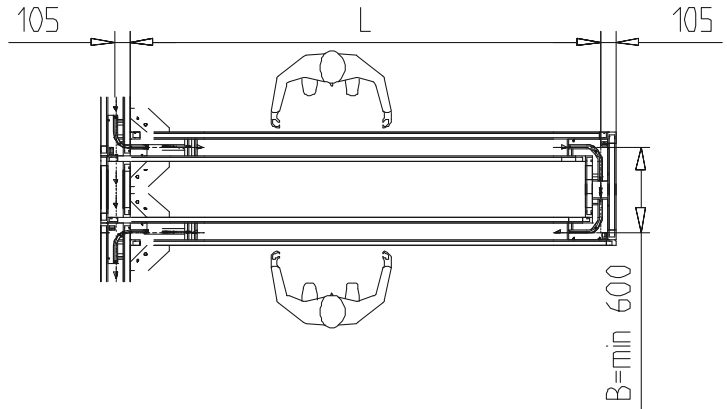
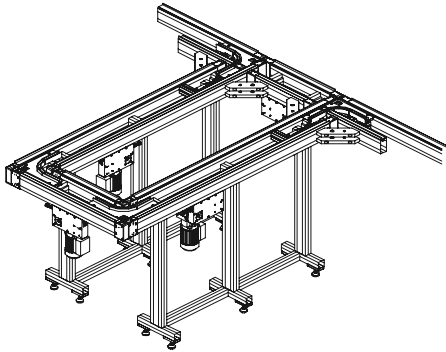
Phone no.

Fax no.

E-Mail

# TRANSFERSYSTEM TSG

## REQUEST SHUNT TSG 200



Dimension L x B  mm  mm

Working height H (WT-Upper edge)  mm

Number of stoppers  Pieces

Number of positioners  Pieces

Number of elevator stations  Pieces

Direction of transport  right  left

Speed  m/min

Frequency transformer  yes  no

Controller

Number of sensors  Pieces

**Contact details**

Company   Please call me back

Contact person   Please send me an offer

Phone no.

Fax no.

E-Mail



## SEGMENTED CHAIN CONVEYOR GKF

### FROM ICY TO HOT CONDITIONS

The GKF segmented chain conveyor has continually proved its reliability in numerous demanding applications. From the knowledge and experience gained, the range has been extended to incorporate more features with field-tested components. Great attention has been focussed on energy efficiency whilst maintaining the versatility of our tried-and-tested modular design.

As is the case for all MiniTec designs, the GKF range is based upon the tried-and-tested MiniTec profile system. The new track profile has been designed according to the same principles, meaning that the modular system has been retained without limitation. All components are suitable for expansions, add-ons or any protective devices which may be necessary. The new conveyor system can be optimally connected to the tried-and-tested MiniTec solutions in the areas of material handling, image processing, labelling, workstation design, etc.

The segmented chain made from plastic or low-corrosion stainless steel enables straight-line and curve-going horizontal and vertical motions.

The flexible track routing enables space-saving designs, with vertical curve routing or lift devices enabling use on multiple levels.

#### APPLICATION EXAMPLES FOR THE GKF SEGMENTED CHAIN CONVEYOR

Transport in inspection facilities. Connecting individual and repackaging facilities, labelling, shipping logistics, connecting workstations, assembly lines

#### CAR PARTS

Filters, gearwheels, fuel pumps, ball bearings, cast parts, lamps

#### COSMETICS + PHARMACEUTICALS

Pharmaceutical packaging, gauze bandages, paper rolls, spray cans, personal hygiene products, shampoo, toothpaste and toothbrushes, dental instruments.

#### FOOD

Trays with fruit, drink cans, food cans, packaged textiles, coffee cans, coffee packaging, plastic bottles, yoghurt, animal feed

#### ELECTRONICS

Electronic components, audiovisual equipment, accessories, batteries, mobile telephones, computer parts

#### PLEASE NOTE

Not suitable for bulk cargo!

#### SYSTEM SELECTION 90 TO 314 MM

The systems can be supplied with 8 different plastic chains made from modified acetal and 3 VA designs made from stainless steel 1.4016.

Chain bolt on all chains made from stainless steel 1.4305  
Standardised chain separation: 38.1 mm

The practically gap-free surface enables also small components to be transported!

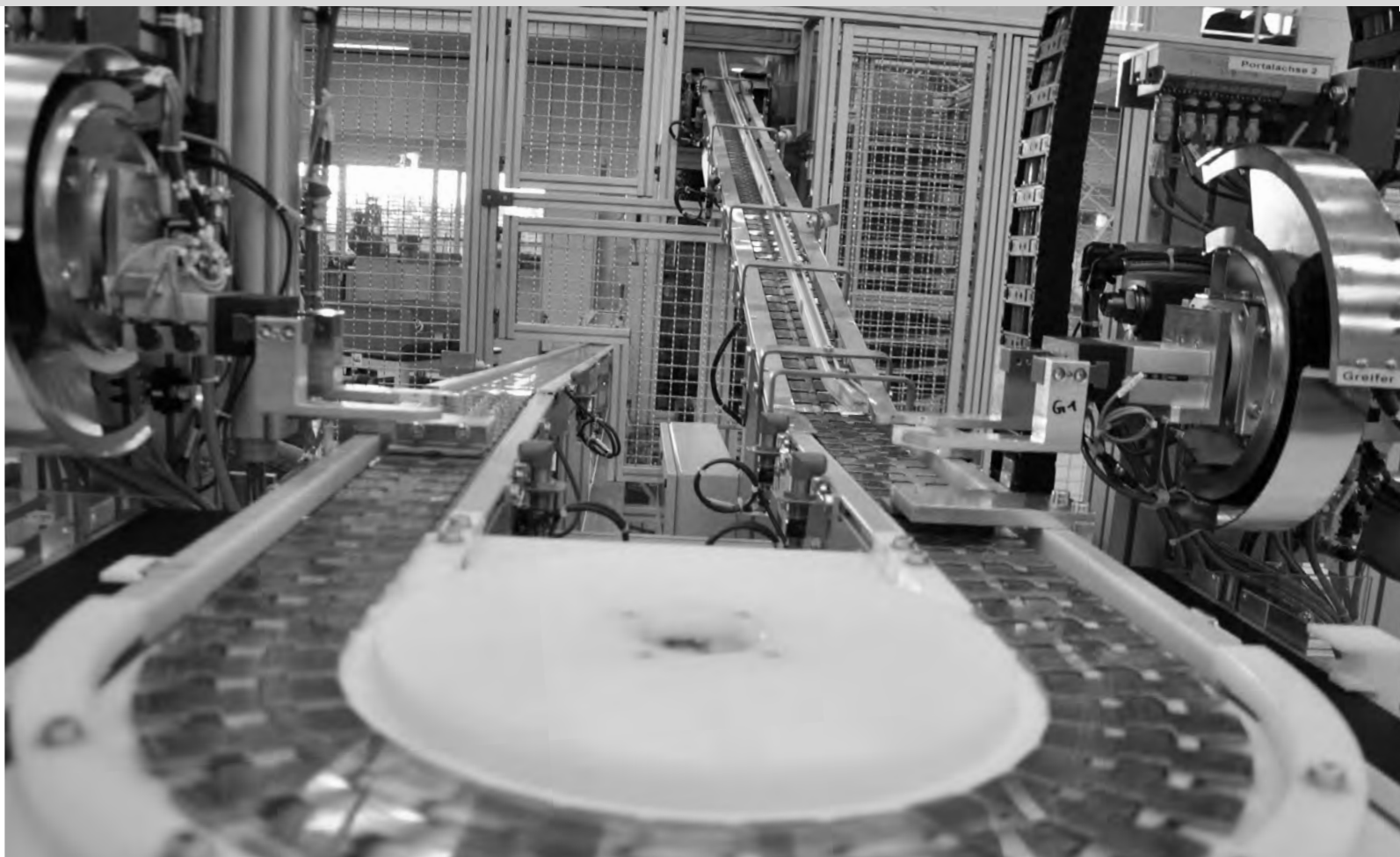
- Product width 0-428 mm
- Maximum weight of the conveyor goods in the case of horizontal transport 10 kg/m
- Maximum weight of the conveyor goods in the case of vertical transport 2 kg/m
- Maximum load on the conveyor 150 kg
- Maximum straight section of the conveyor track 40 m

#### HOLISTIC PROBLEM SOLUTION

The system can be supplied in assemblies for self-assembly or also as a ready-for-operation system. Upon request, we can assume complete planning and assembly responsibility, as well as the onsite commissioning. Our services include ergonomic design for operators and material flow, supplying transfer stations and workstations to assist in productivity.

## SEGMENTED CHAIN CONVEYOR GKF

## FROM ICY TO HOT CONDITIONS



Depending upon the conveyor goods, track routing and chain, the system is suitable for high conveyor speeds up to 30 m / min. All motors in use are equipped with overload protection. Optionally, frequency converters are available for variable speeds.

■ Temperature limits:

- Plastic chain (dry)      -40°C to +80°C
- Plastic chain (wet)     0 °C to + 65 °C
- Stainless steel chain   -40 °C to 120 °C

All chains are suitable for directly transporting the products or transporting the pallets.

**To save energy and to reduce the maintenance frequency, we recommend that cam wheels are used instead of horizontal arches. Cam wheels are available with a minimum radius of 200 mm.**

Sound level depends upon the conveyor speed, measured according to DIN 45 635 T1 on the motor side.

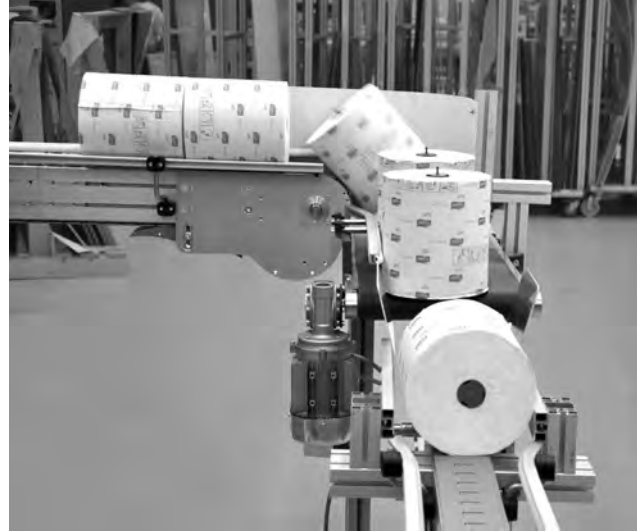
Chain	m/min	dB-A
VA chain	10	57,3
	30	73,2
acetal chain	10	62,8
	30	77,9

## SEGMENTED CHAIN CONVEYOR GKF

### SAMPLE APPLICATIONS



Coffee can transport below the roof



Transport and packing of sanitary products



Loading and unloading of automatic lathes



Surface inspection of car parts

## SEGMENTED CHAIN CONVEYOR GKf

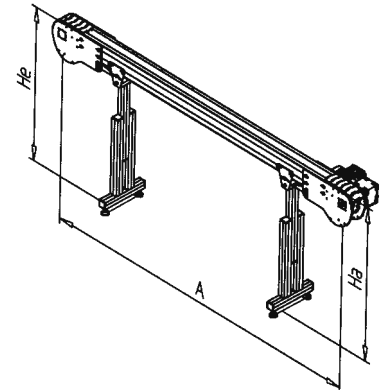
### REQUEST

#### Standard dimension

Axial distance  mm  
 According to layout  see Others  attached

#### Operating conditions

Goods to be conveyed   
 Dimensions B x L x H  x  x  mm  
 Unit weight  kg  
 Total belt load  kg  
 Temperature of goods  °C  
 Accumulation point



#### Subconstruction

Inlet height He  mm  
 Discharge height Ha  mm  
 Number of supports  pcs.  
 Supports height adjustable from  mm to  mm  
 Lateral guide  one side  both sides  
 Angle bracket for floor fastening  part no. 21.1112/0  
 Floor anchor 12  part no. 21.1115/0  
 Feet  part no.

#### Options

Chain type  part no.

#### Drive

Motor arrangement  right  left  
 Speed  m/min.  
 Speed adjustable from  m/min. to  m/min.

#### Others/Layout

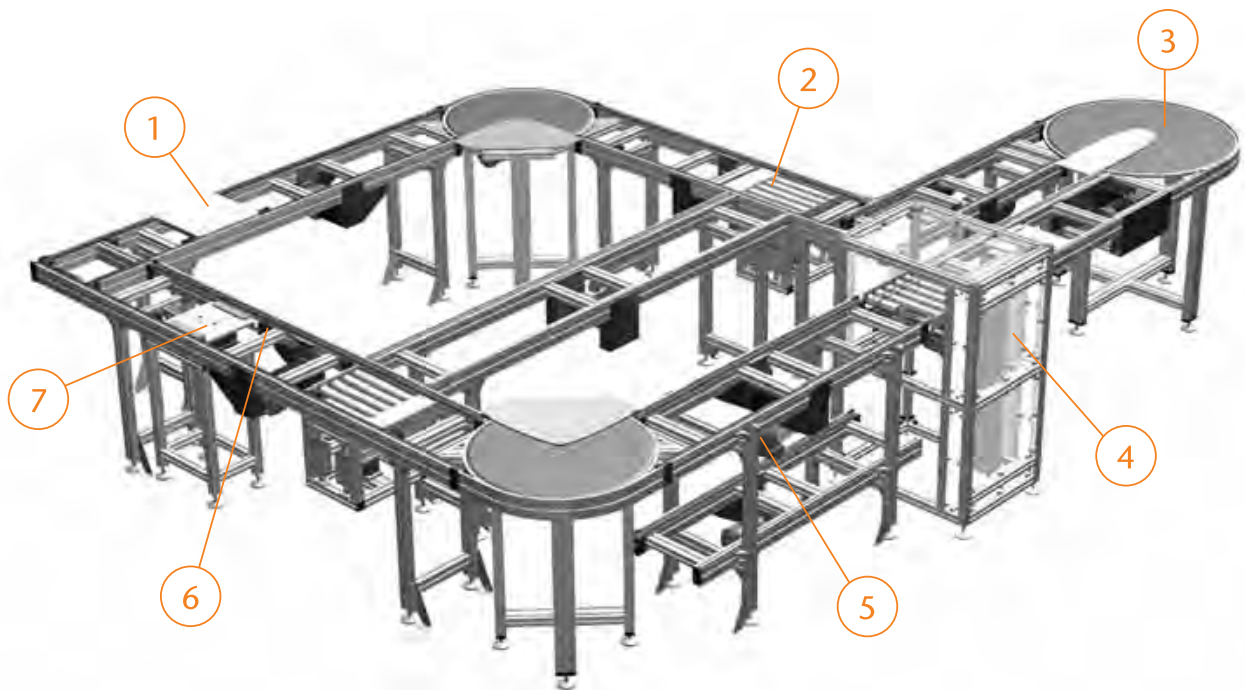
#### Contact details

Company   Please call me back  
 Contact person   Please send me an offer  
 Phone no.   
 Fax no.   
 E-Mail

## FLEXIBLE-ASSEMBLY-LINES FMS

FMS is a flexible assembly system with workpiece carriers which are transported on chain roller conveyors, special belts or chains. Standardised modules for exact positioning, lifting or turning enable the very fast implementation of complete assembly lines.

Numerous installations at well-known automobile suppliers have demonstrated for years the reliability and economy of this system. The patented switching technology reduces the control expense for the entire system to a minimum.



## FLEXIBLE-ASSEMBLY-LINES FMS

### Modular assembly line professional team

- A complete transport and positioning system for „workpiece carriers“, the fastest and most versatile form for process optimisation in series production manufacturing
- Thanks to the modular design and the structure, planning, assembly and commissioning based on extruded aluminium profiles, complete systems can be calculated in a very short time.

#### 1. Workpiece carrier

- Precision milled carrier plate
- Accessible from all sides, even from the bottom
- Slide rails made of anti-static polyethylene
- Wheels in the corners reduce the side friction and improve guiding properties
- Exact position detection with centring bushes

#### 2. Transverse transport

- Inclusion and exclusion, change of direction
- Very low space requirement
- Simple to integrate into the system

#### 3. Turntable

- without control elements
- practically maintenance free
- Consistent orientation

#### 4. Lifts upward/downward

- Vertical method with pneumatic or electrical drive
- Precise guiding with linear units

#### 5. Belt and chain conveyors

- Variations: Double belt, chain drive or combination
- Suitable for accumulation mode
- Structure of aluminium profiles
- Simple to use and can be reused

#### 6. Separator

- Separator: with or without damping from 3 to 220 kg
- Switch holder: Various holders for inductive proximity switch M12 ensure the absence and throughput control of the workpiece carrier

#### 7. Lift and positioning equipment

- Exact positioning of the WPC for processing sequences
- max. loading 100 kg
- optionally with turning device for change of direction



## FLEXIBLE-ASSEMBLY-LINES FMS

## REQUEST

## Standard dimensions

Dimensions W x L x H  x  x  mm

Goods to be conveyed W x L x H  x  x  mm

Unit weight  kg

Temperature of goods  °C

Speed  m/min

Balance point  centered  Distance  mm

Workpiece pick-up  no  yes,

WP-carrier L x W  x  mm

Number of workpiece carriers  pcs.

Ambient temperature  °C

Surrounding conditions

Number of stoppers  pcs.

Number of positioners  pcs.

Number of sensor systems  pcs.

## Others/Layout

## Contact details

Company   Please call me back

Contact person   Please send me an offer

Phone no.

Fax no.

E-Mail

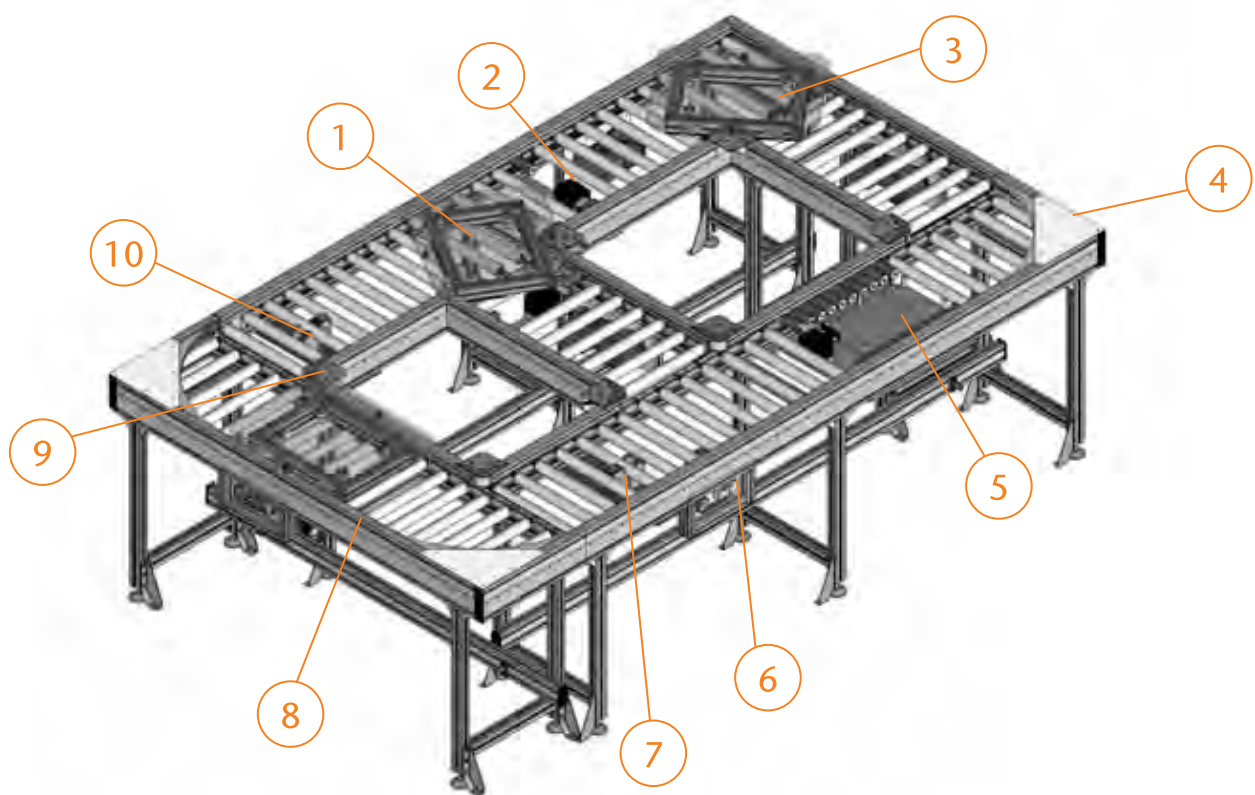
## ROLLER CONVEYORS RMS

RMS is a pallet transfer system based on friction rollers and designed for very high loads. Among other things, transmissions, vehicle seats or engines are assembled on these systems.

The workpiece carriers are moved over highly precise accumulator rollers, which are driven by means of a continuous tangential steel chain. The RMS specific workpiece carriers are guided by side-attached guide rollers into the line.

Due to the special shape of the workpiece carrier in combination with the patented DELTA -offset, the direction changes are realised with a minimum of control and drive effort.

Special covers between the rollers make the transport system accessible for service work from the interior of the system.



## ROLLER CONVEYORS RMS

### System description

- Flexible modular concept
- Precise rollers with regulated friction
- Load per workpiece carrier: up to 250 kg
- Standard WPC widths: 400 and 500 mm
- Transport speeds: up to 15m/min
- Ingeniously simple and patented bypass
- Newly developed robust workpiece carriers
- Deflection system „Delta“

### 1. Bypass

- Powered switches for deflection of main and secondary lines

### 2. Rollers

- 3 mm steel pipe
- Nitrided surface
- Adjustable friction

### 3. Workpiece carrier

- Base frame made of aluminium profiles
- Sliding pieces made of anti-static polyethylene
- Plate carriers made to customer specifications

4. **90° deflection:** WPC deflection without additional drive

5. **Lift index unit:** Load up to 300 kg

### 6. Drive unit

- Reversible drive direction
- Up to 9 m line per drive
- Automatic chain tension

7. **Separator:** Adjustable damping

8. **Structure:** Anodised aluminium profile

### 9. Deflection system

The „Delta“ deflection system is a standardised and universally installable system, that allows for all deflection variations in 3 designs:

- Delta 1 fixed for a simple 90° deflection
- Delta 2 spring loaded for inward transfer into a main or secondary line
- Delta 3 controllable and pneumatically activated for use on nodes with changing deflections

### 10. Hydraulic damped separator

- The specially developed separator allows the use of continuous rollers instead of stab support rollers
- High flexibility using simple changes in the installation position

## ROLLER CONVEYORS RMS

### REQUEST

#### General

Layout

Goods to be conveyed  x  x  mm

Width  400 mm  500 mm  others

Roller distance  120 mm  180 mm

Working height  mm

Speed  m/min

Balance point  centered  Distance  mm

Work piece pick-up  no  yes,

WP-carrier - Base L x W  x  mm

Numbers of workpiece carriers  Pieces

Ambient temperature  °C

Surrounding conditions

Numbers of stoppers  Pieces

Numbers of positioners  Pieces

Numbers of sensor systems  Pieces

#### Others/Layout

#### Contact details

Company   Please call me back

Contact person   Please send me an offer

Phone no.

Fax no.

E-Mail



