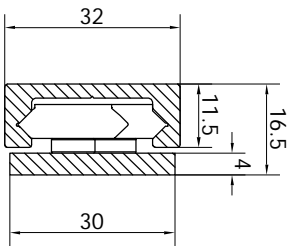
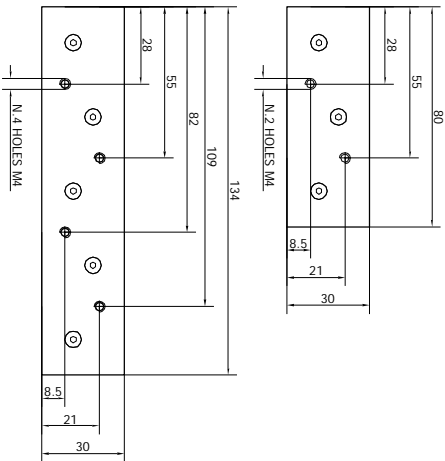


RAIL "CL"

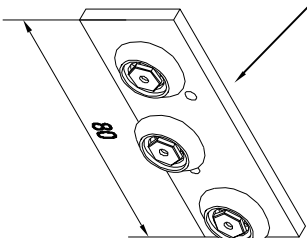
- Anodized aluminum section standard (alloy 6005a)
- Length profile upon request (Maximum 5500 mm)
- Drilling upon request
- Sliders are supplied factory fitted with a slight pre-load
- Plate different to standard upon request
- Rails are supplied undrilled as standard
- Load ratings are per carrier and can be increased accordingly

Drilling plate details



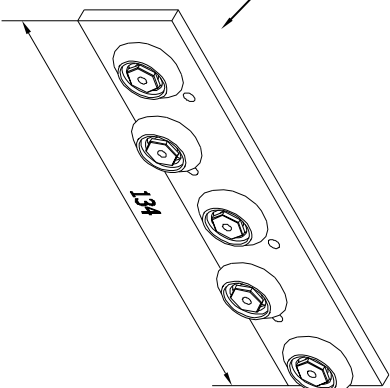
SECTION (Scale 2:1)

Aluminium slider with 3 bearings
(Max. Load 9 KG.)

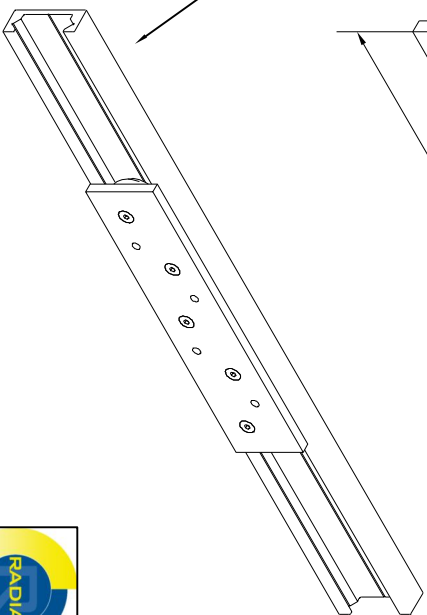


Unique plated steel bearings or optional Delrin for non-corrosion and weight reduction

Aluminium slider with 5 bearings
(Max. Load 14 KG.)



Anodized aluminium profile
Lengths & Drilling upon request Maximum 5500 mm
Drilling upon request



RADIA S.R.L.
Via Marconi 55/A - 10040 Piovesi Torinese - IT -
Tel. +39.011.9936019 Fax. +39.011.9936021
info@radia.com
www.radiamotion.com